

2012 Jun.

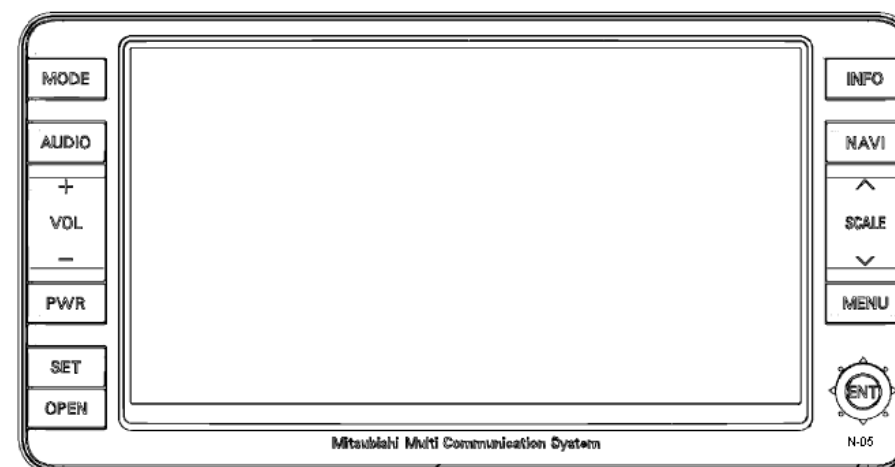
MITSUBISHI MOTORS

SERVICE MANUAL

HDD/DVD CAR NAVIGATION SYSTEM

CONTENTS

- FEATURES and SPECIFICATIONS 2
- OPERATION 3
- CONNECTORS 4 ~ 5
- COMPOSITION 6
- SYSTEM CONFIGURATION 7,8
- BLOCK DIAGRAM 9
- DISASSEMBLING PROCEDURES 10 ~ 31
- PARTS LIST 32
- ELECTRICAL PARTS LIST 33 ~ 56
- PARTS LAYOUT ON PRINTED CIRCUIT BOARD 57 ~ 72
- SCHEMATIC DIAGRAM 73 ~ 106
- VOLTAGE 107
- WAVEFORM 108



Model No. : **NR-261UM-07LAN4,-07-5WS**

MELCO Model Code : **3AP211,213**

PART No. : **8750A238,MZ360390EX**

*This service manual is for model revision E(NR-261UM-07LAN4), and F(NR-261UM-07-5WS) and later revision.

MITSUBISHI ELECTRIC CORP. SANDA WORKS

FEATURES and SPECIFICATIONS

FEATURES

< Navi Part >

- HDD (Hard Disk Drive) navigation.
- Detecting the car position by GPS (Global Positioning System) signal, gyro sensor and speed pulse signal.
- Calculating the route.
- Navigating the route by voice and display guidance.

< Audio Part >

- Receiving AM / FM.
- Supporting CD, CD-R / RW, DVD Video, MP3, WMA.
- CD recording / play.
- 4ch Amplifier / Fixed EQ (6 bands x 4 ch).

< Monitor Part >

- 6.95" wide TFT LCD.
- Brightness adjustment function.
- Supporting Touch Panel.
- Supporting Tactile Switch.
- Illumination function for Tactile Switch.

< Others >

- External VTR connectable.
- Supporting RSES connection.
- Supporting Premium Amplifier connection.
- Steering Remote Control function.
- CAN-BOX operating function.
- Hands-free module operating function.
- Sirius tuner operating function.
- Supported iPod / Bluetooth Audio Hands-free Module connection.
- Supported USB-BOX connection.

SPECIFICATIONS

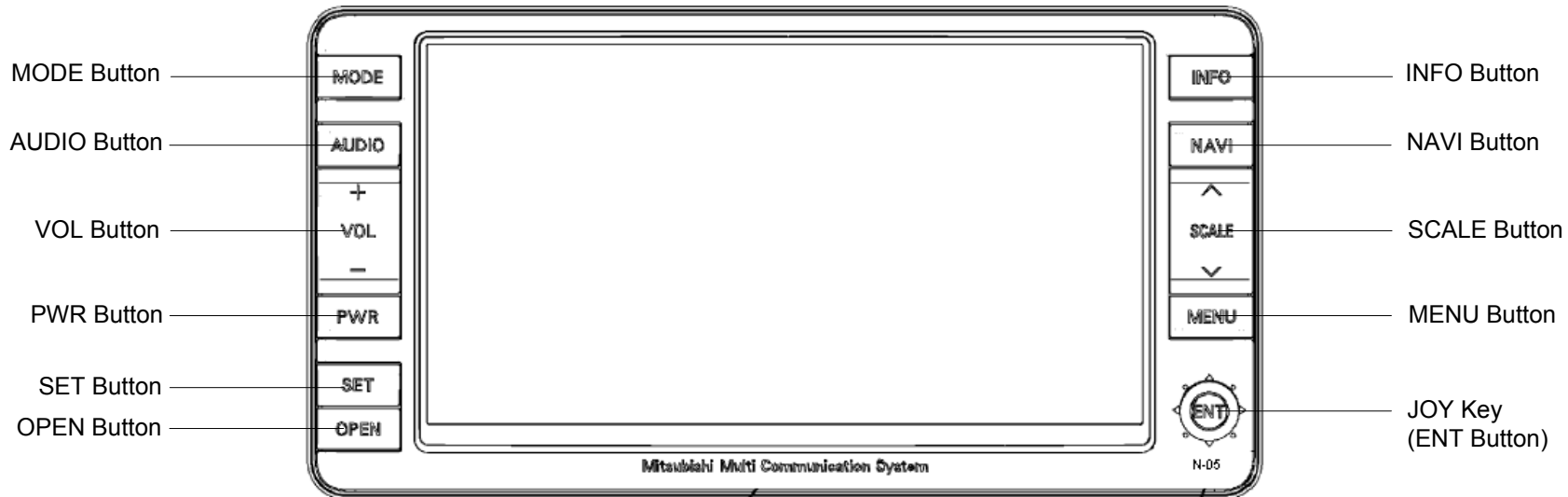
- Power supply : DC 13.2V
- Operating voltage : 10 ~ 16V (BATTERY, ACCESSORY Line)
- Ground polarity : Negative ground
- Dark current : Max. 2.5mA (*1)
- Consumption current : Max. 13A / Typ. 5A (*2)
- Output : 45W x 4 (max.) (14.4V)
- Storage temperature range : -30 ~ +85°C
- Working temperature range : -20 ~ +65°C
- Dimensions (W × D × H) : 207.8mm × 191.1mm × 106.3mm
- Weight : 3650g

(*1)...Measured 90 sec. after from ACC-OFF, at normal temperature, option unconnected, CD uninserted, power supply voltage 13.2V.

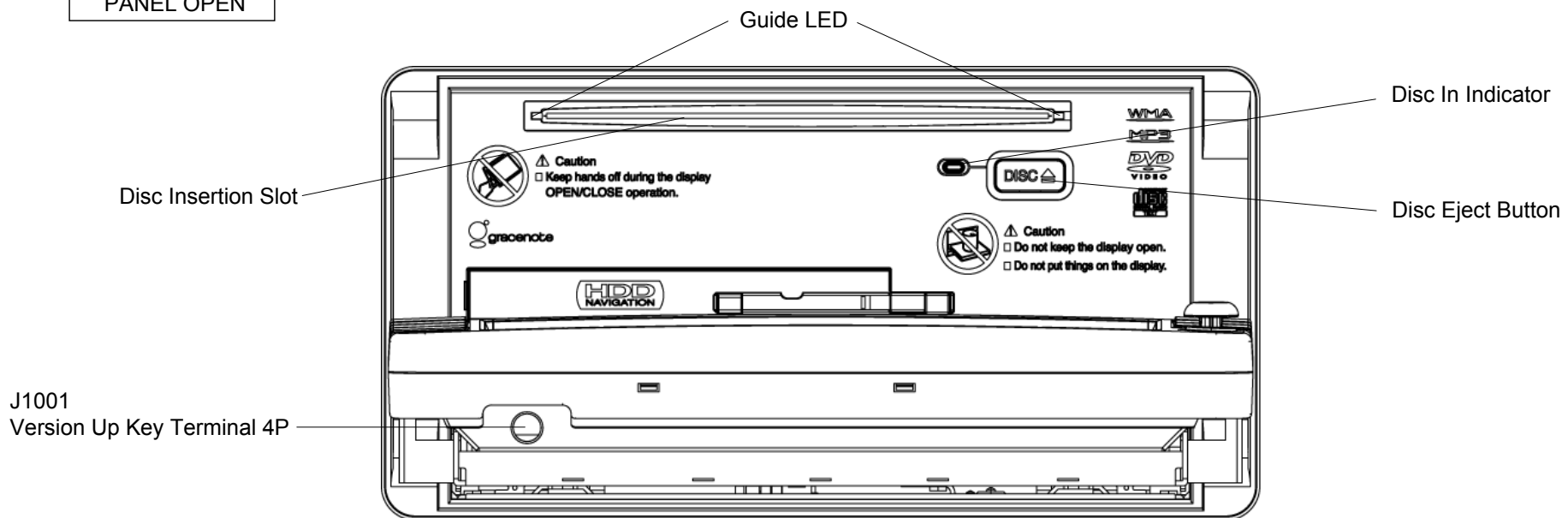
(*2)...At normal temperature, CD 1kHz, 0dB, output 1W, monitor brightness MAX, power supply 13.2V.

OPERATION

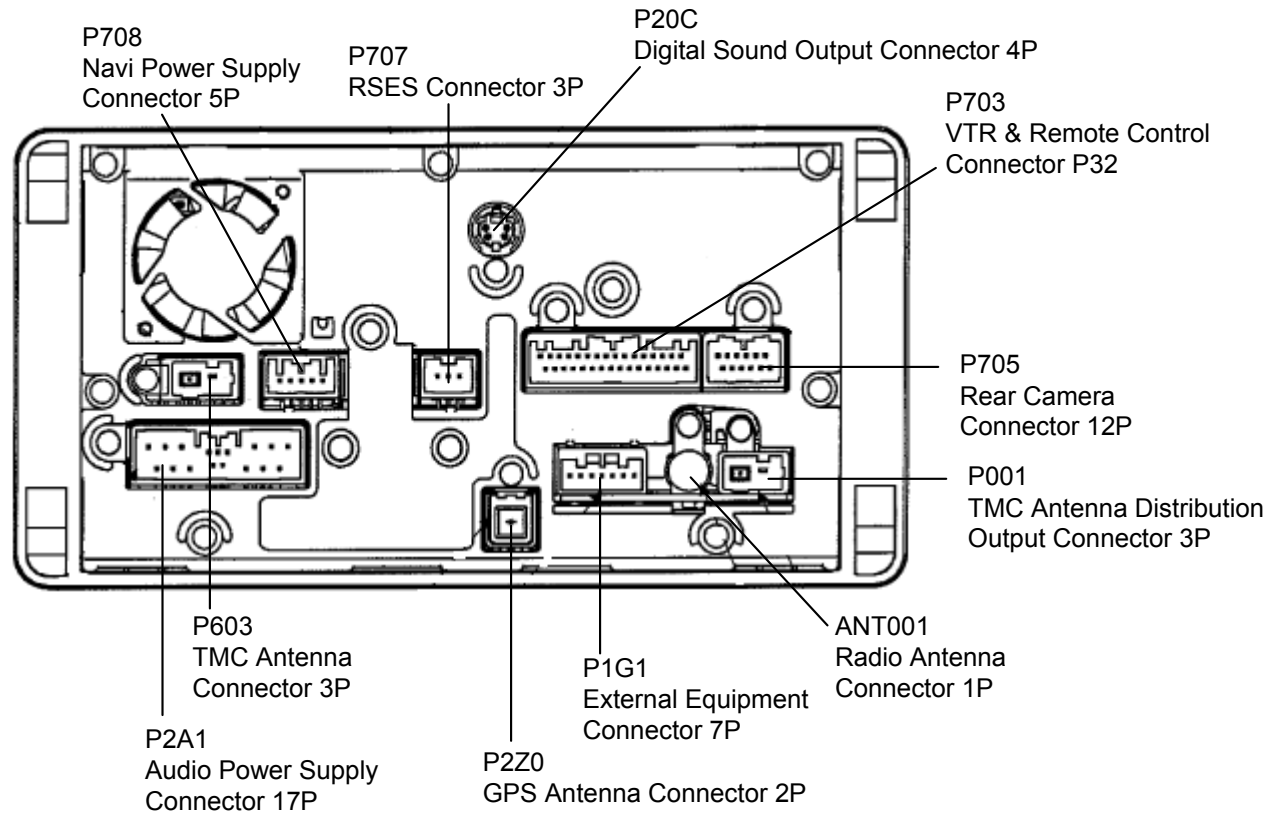
PANEL CLOSE



PANEL OPEN



CONNECTORS



Audio Power Supply Connector 17P

P2A1		PinNo.	Signal Name	PinNo.	Signal Name
		1	MAIN GND	10	BATTERY (+)
		2	SPEAKER RR-	11	SPEAKER RR+
		3	SPEAKER FR-	12	SPEAKER FR+
		4	AMP DATA	13	ACCESSORY (+)
		5	-	14	VSS
		6	SHIELD (AMP DATA)	15	SPEAKER FL+
		7	SPEAKER FL-	16	SPEAKER RL+
		8	SPEAKER RL-	17	ILL+
		9	ILL CONTROL		

Version Up Key Terminal 4P

J1001	PinNo.	Signal Name
	1	I2C-SDA
	2	GND
	3	I2C-SCL
	4	I2C-VCC

Navi Power Supply Connector 5P

P708	PinNo.	Signal Name
	1	GND
	2	PS-R
	3	-
	4	-
	5	BATTERY (+)

RSES Connector 3P

P707	PinNo.	Signal Name
	1	SHIELD (REAR)
	2	REAR SIGNAL
	3	-

Digital Sound Output Connector 4P

P20C	PinNo.	Signal Name
	1	-
	2	-
	3	-
	4	-
	SH	SHIELD

Radio Antenna Connector 1P

ANT001	PinNo.	Signal Name
	1	RADIO ANTENNA SIGNAL
	SH	SHIELD

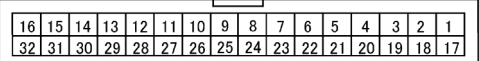
*Connector figures are view where it faced the unit.

*Attention of pin numbering different from schematic diagram.

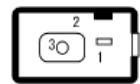
CONNECTORS

VTR & Remote Control Connector P32

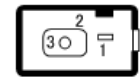
P703	PinNo.	Signal Name	PinNo.	Signal Name
	1	-	17	-
	2	-	18	-
	3	TEL MUTE	19	-
	4	STEERING REMOTE	20	SHIELD (STEERING REMOTE)
	5	-	21	SHIELD (CAN-BOX DATA)
	6	-	22	-
	7	-	23	-
	8	SHIELD (VIDEO-2L/R)	24	VIDEO2 DETECT
	9	VIDEO2-R	25	VIDEO2-L
	10	VIDEO2-IN	26	SHIELD (VIDEO2-IN)
	11	HFM SIGNAL (-)-GND	27	-
	12	HFM SIGNAL (+)-R	28	HFM SIGNAL(+)-L
	13	-	29	-
	14	CAN-BOX DATA RX	30	CAN-BOX DATA TX
	15	-	31	CAN-BOX DATA CLK
	16	-	32	-



TMC Antenna Connector 3P

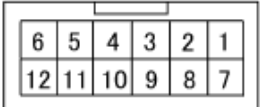
P603	PinNo.	Signal Name
	1	TMC DETECT IN
	2	TMC ANTENNA GND
	3	TMC ANTENNA SIGNAL

TMC Antenna Distribution Output Connector 3P


P001	PinNo.	Signal Name
	1	TMC DETECT OUT
	2	ANTENNA OUT GND
	3	ANTENNA OUT

Rear Camera Connector 12P


P705	PinNo.	Signal Name	PinNo.	Signal Name
	1	CAMERA DETECT	7	-
	2	SHIELD (CAMERA)	8	-
	3	-	9	-
	4	CAMERA SIGNAL	10	-
	5	GND (RC)	11	-
	6	VCC (RC6.5V)	12	-



External Equipment Connector 7P

P1G1	PinNo.	Signal Name
	1	SIRIUS-R
	2	S-GND (SIRIUS-L/R)
	3	SIRIUS-L
	4	BUS(-)
	5	BUS(+)
	6	AMP POWER ON
	7	ANTENNA-POWER

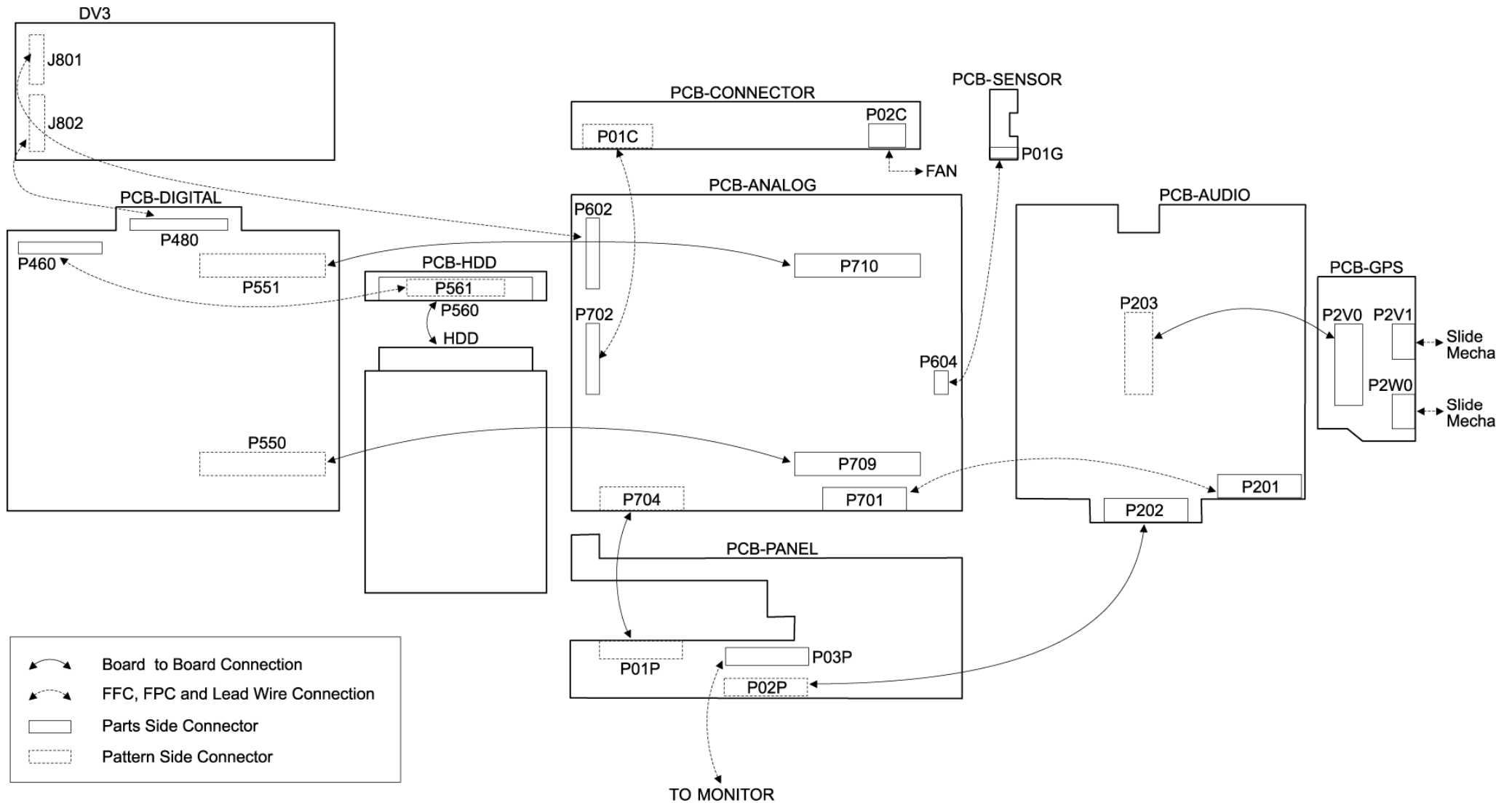
GPS Antenna Connector 2P

P2Z0	PinNo.	Signal Name
	1	GND-GPS
	2	GPS ANTENNA SIGNAL

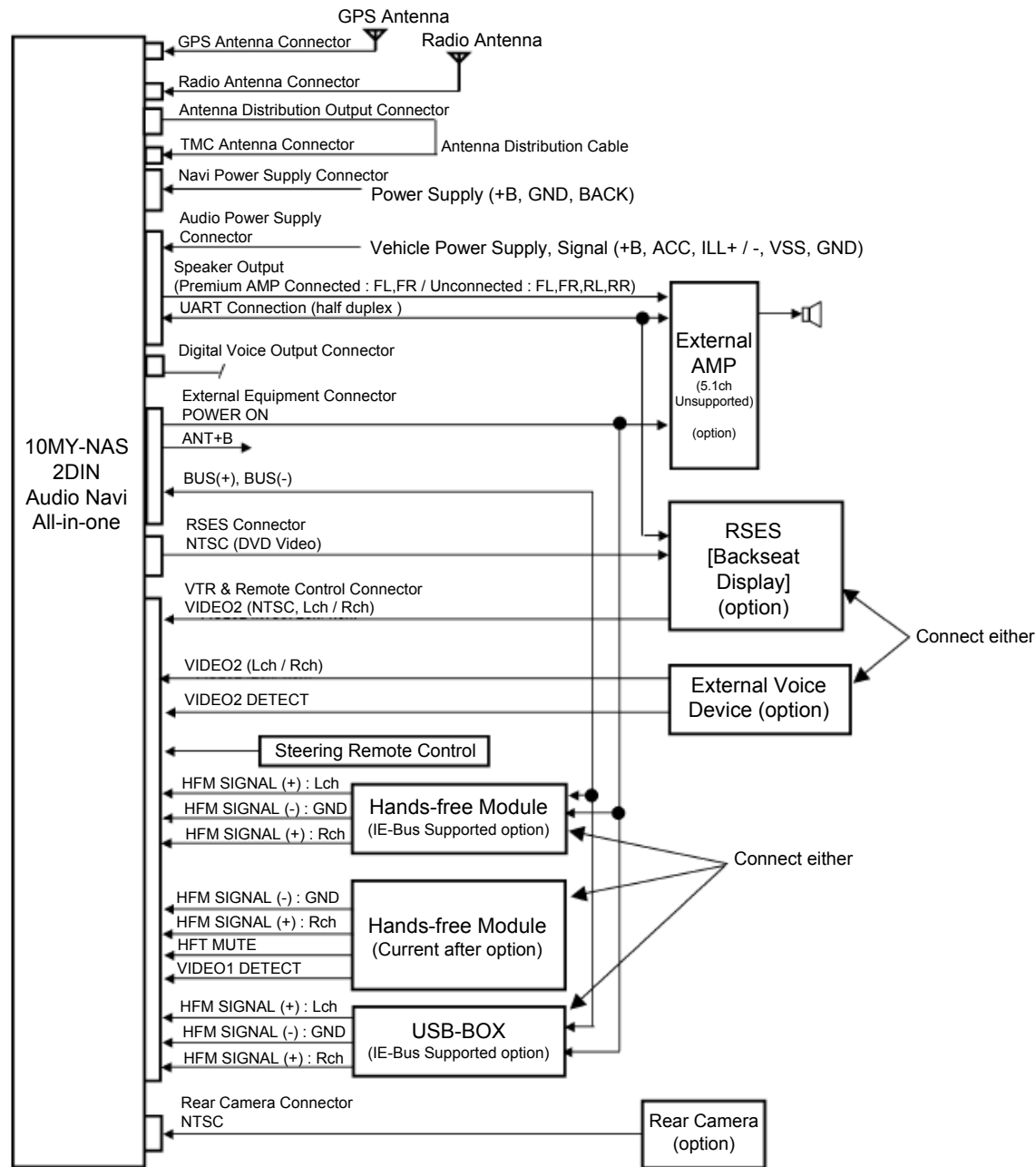
*Connector figures are view where it faced the unit.

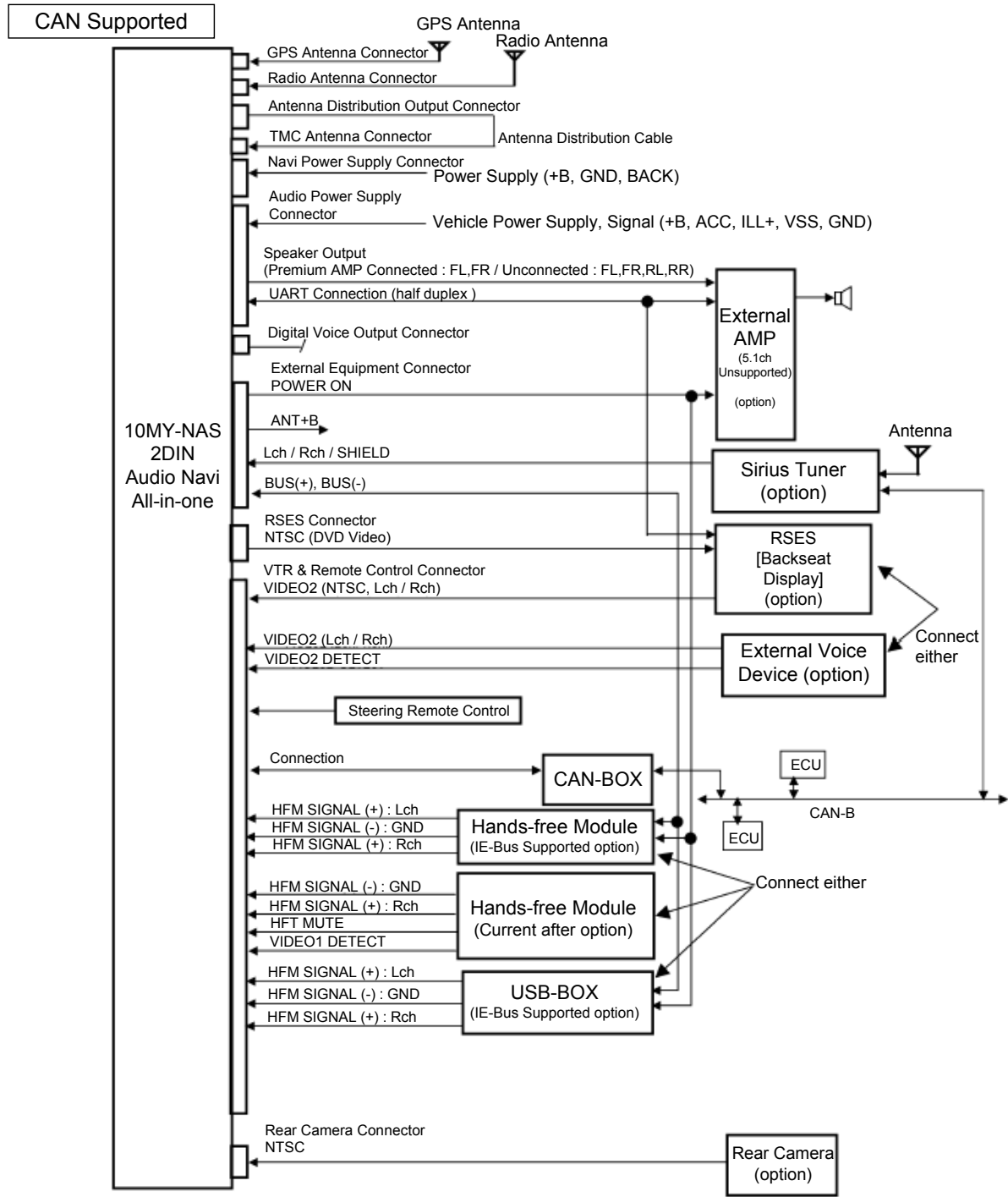
*Attention of pin numbering different from schematic diagram.

COMPOSITION

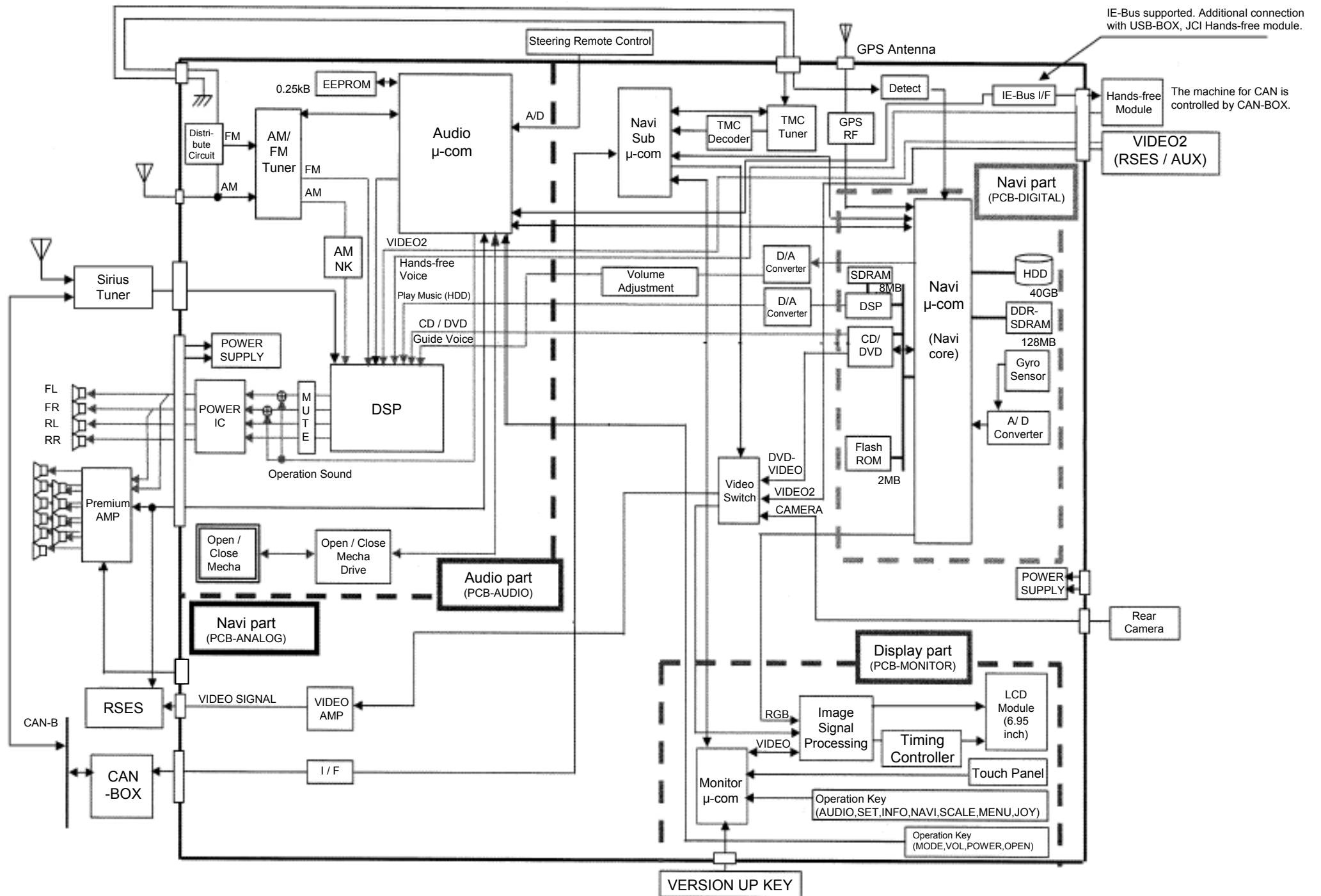


CAN Unsupported





BLOCK DIAGRAM



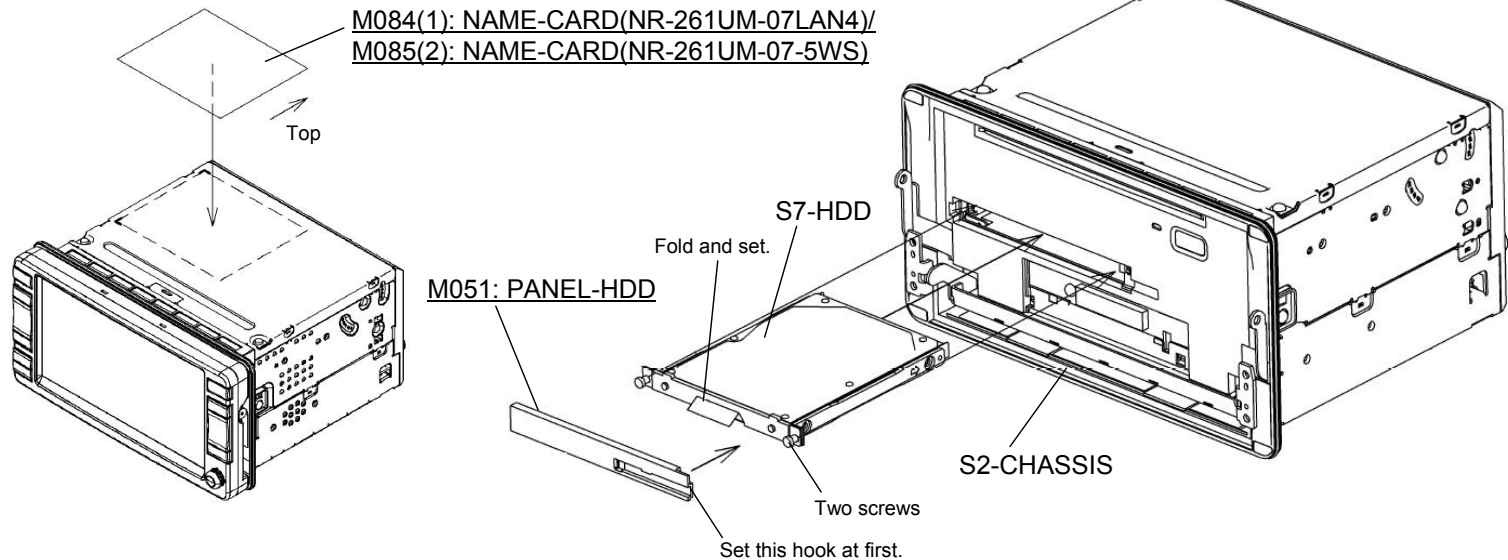
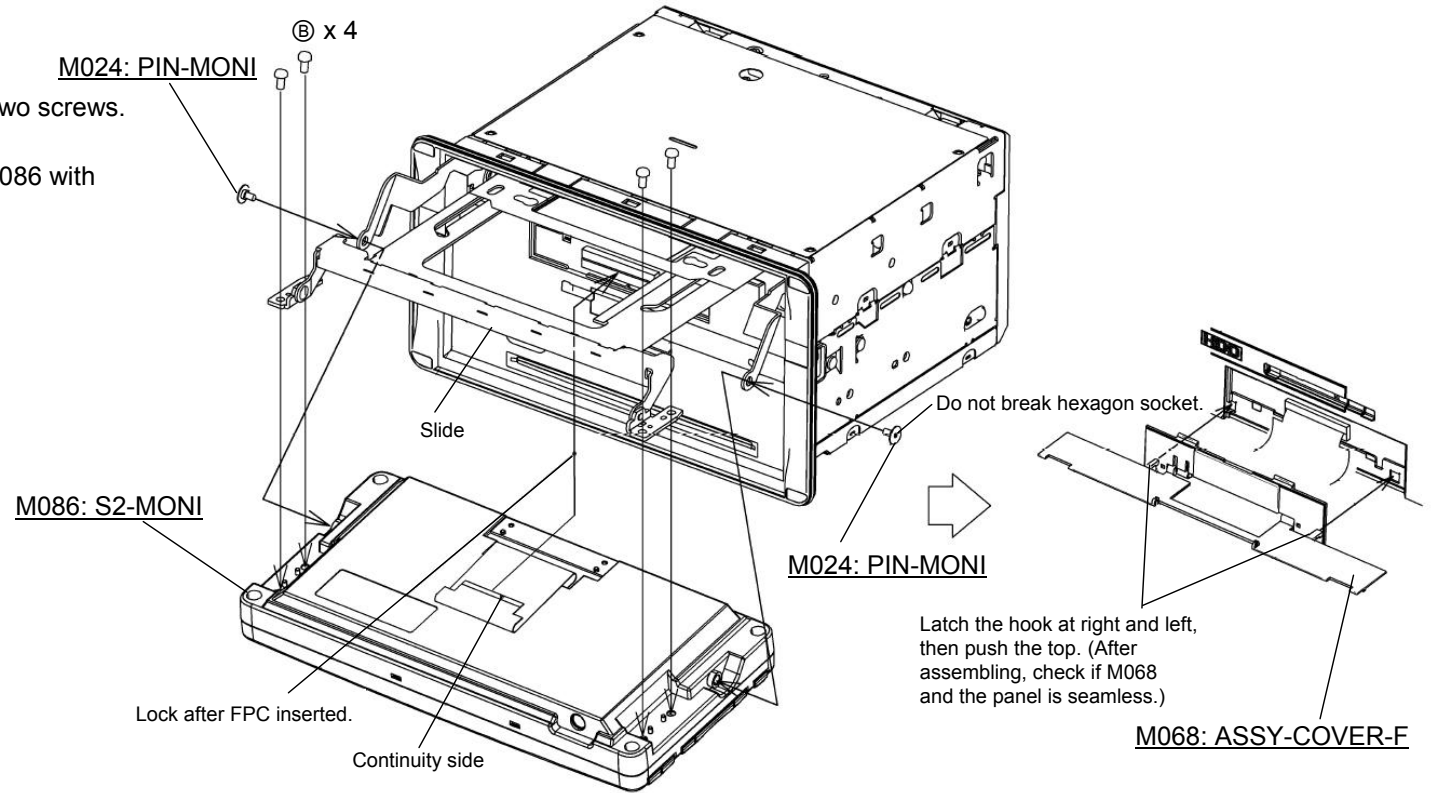
DISASSEMBLING PROCEDURES

- **Disassembling procedures**

In reverse of assembling procedures.

- **Assembling procedures**

1. Insert the S7-HDD to the S2-CHASSIS, and screw the two screws.
2. Set M051.
3. Pull out the slide part of the S2-CHASSIS, and screw M086 with the four screws (Ⓢ), and M024.
4. Insert the FPC of M086 to the S2-CHASSIS.
5. Set back the slide after M068 set.



Model	
(1)	NR-261UM-07LAN4
(2)	NR-261UM-07-5WS

No.	Screw/Name	Tighten torque(N· m)
M024	PIN-MONI	0.4 +0.15/-0.05
Ⓢ	M3X6	0.7 +0.2/-0.1

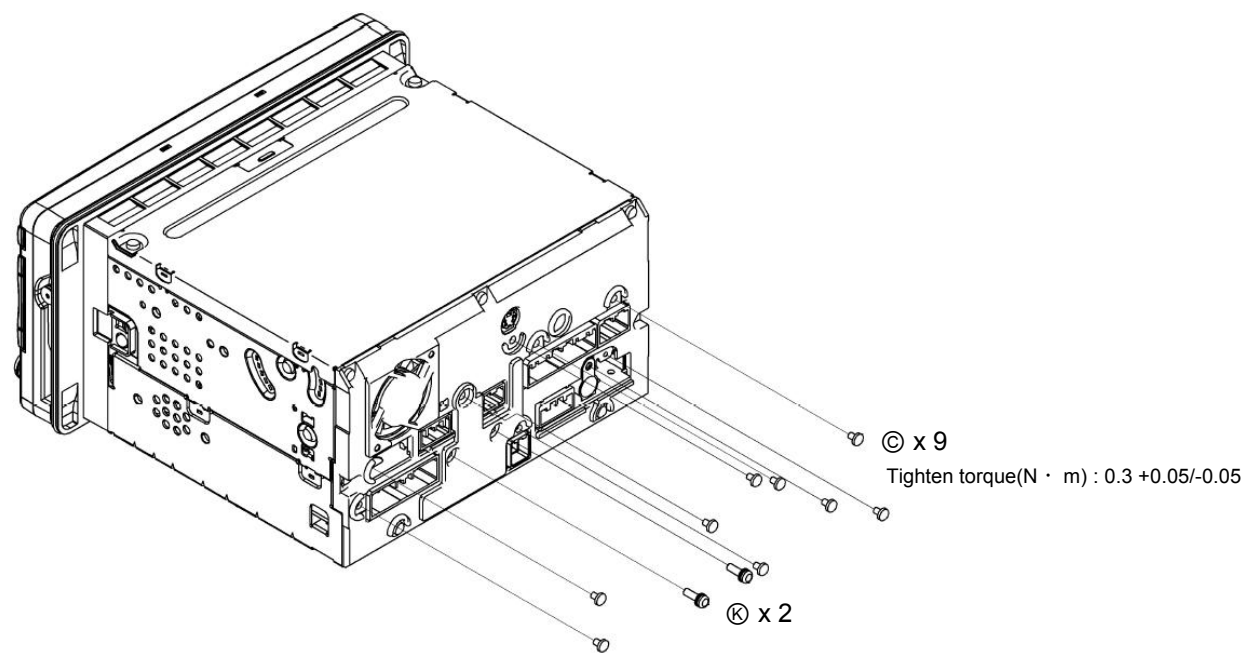
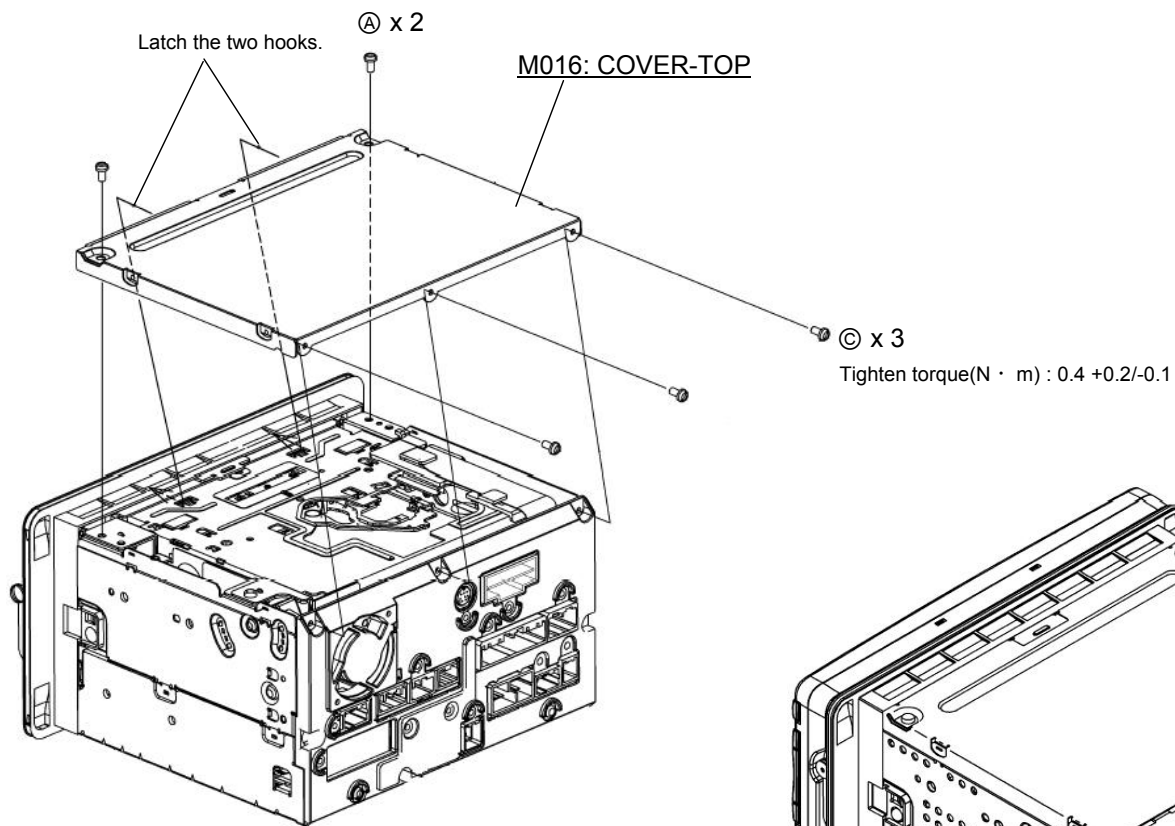
DISASSEMBLING PROCEDURES

- **Disassembling procedures**

In reverse of assembling procedures.

- **Assembling procedures**

- 1.Screw M016 with the two screws(Ⓐ) and the three screws(ⓐ).
- 2.Screw the nine screws(ⓐ) and the two screws(Ⓚ).



No.	Screw	Tighten torque(N · m)
Ⓐ	M3X6	0.4 +0.2/-0.1
ⓐ	2.6X4	Refer in the fig.
Ⓚ	M3X10	0.7 +0.2/-0.1

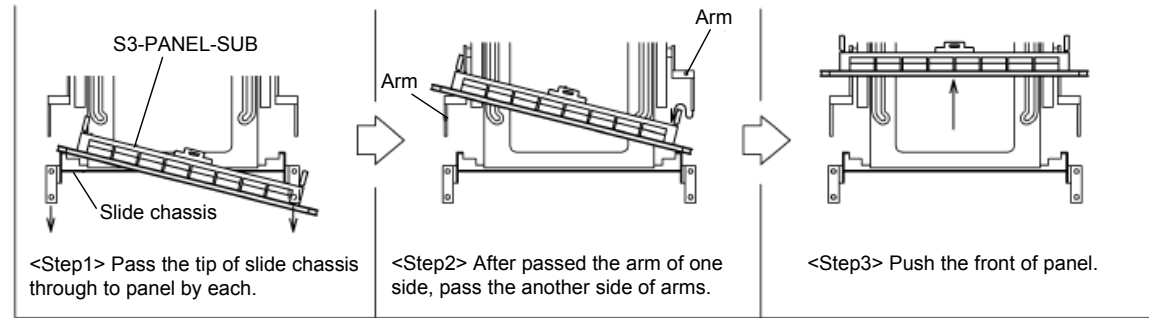
DISASSEMBLING PROCEDURES

- **Disassembling procedures**

In reverse of assembling procedures.

- **Assembling procedures**

1. Hook M076 to M070, and screw the five screws(Ⓧ).
2. Pull out the slide part of the S3-CHASSIS, and pass the arm through to the hole of the S3-PANEL-SUB. <Step1~3>
3. Screw the three screws(ⓐ).



M076: ASSY-PCB-PANEL

M070: ASSY-PANEL-SUB

S3-CHASSIS

Remove the arm protector.

(3) Push the front of panel to connector mating. <Step3>

Latch M076 to the hooks.

Ⓧ x 5

ⓐ x 3

S3-PANEL-SUB

Remove the arm protector.

(1) After pull out the slide chassis till it stops, pass the tip through to panel each one side. <Step1>

(2) After passed the one arm, pass another arm with bending it internally. <Step2>
Do not give scratch to panel by arms.

(4) Push the square holes at side(two places) and downside(three places), till the hooks set. <Step3>

No.	Screw	Tighten torque(N· m)
ⓐ	M3X6	0.7 +0.2/-0.1
Ⓧ	2X4	0.12 +0.01/-0.01

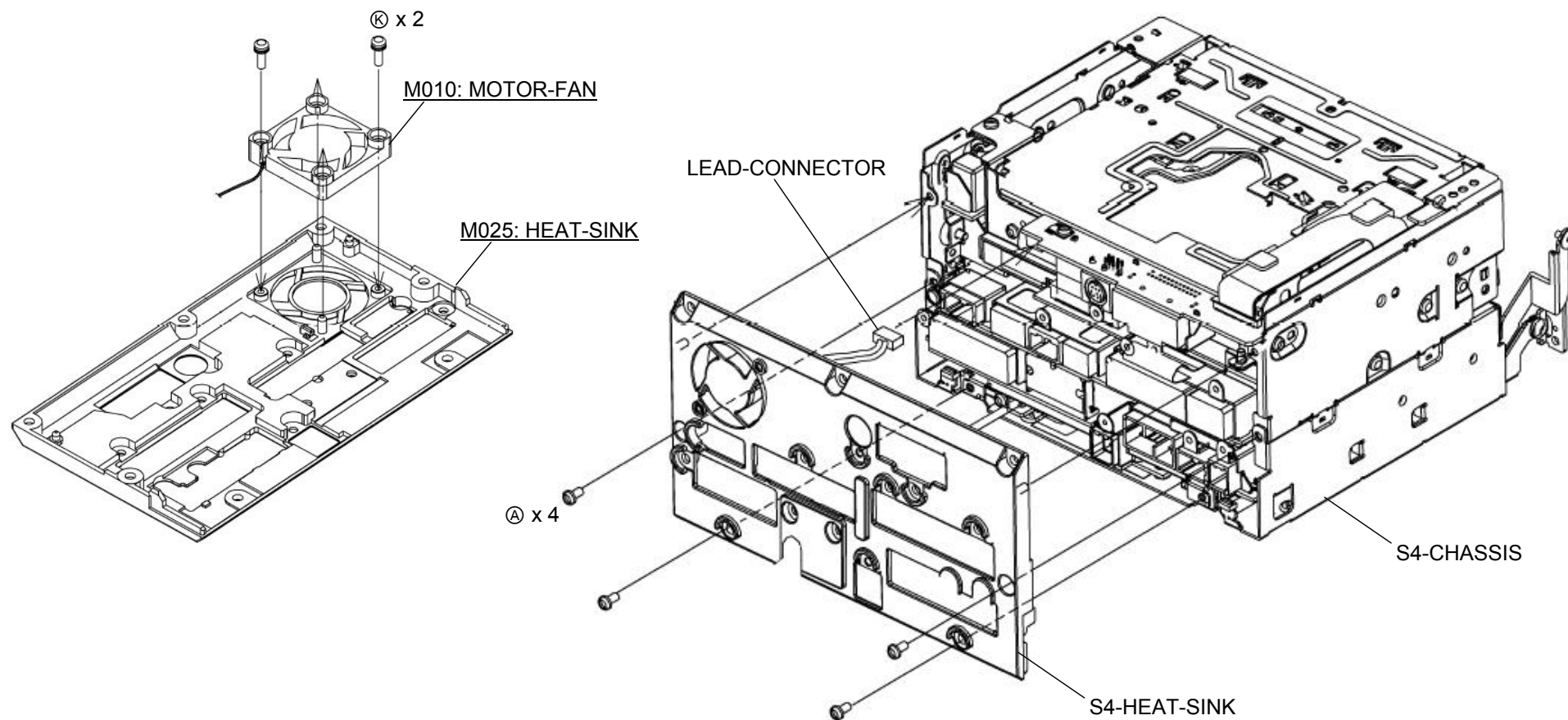
DISASSEMBLING PROCEDURES

- **Disassembling procedures**

In reverse of assembling procedures.

- **Assembling procedures**

- 1.Screw M010 to M025 with two screws(Ⓚ).
- 2.Connect LEAD-CONNECTOR of the S4-HEAT SINK to the S4-CHASSIS.
- 3.Screw the S4-HEAT-SINK with four screws(ⓐ).



No.	Screw	Tighten torque(N· m)
ⓐ	M3X6	0.7 +0.2/-0.1
Ⓚ	M3X10	0.7 +0.2/-0.1

DISASSEMBLING PROCEDURES

- **Disassembling procedures**

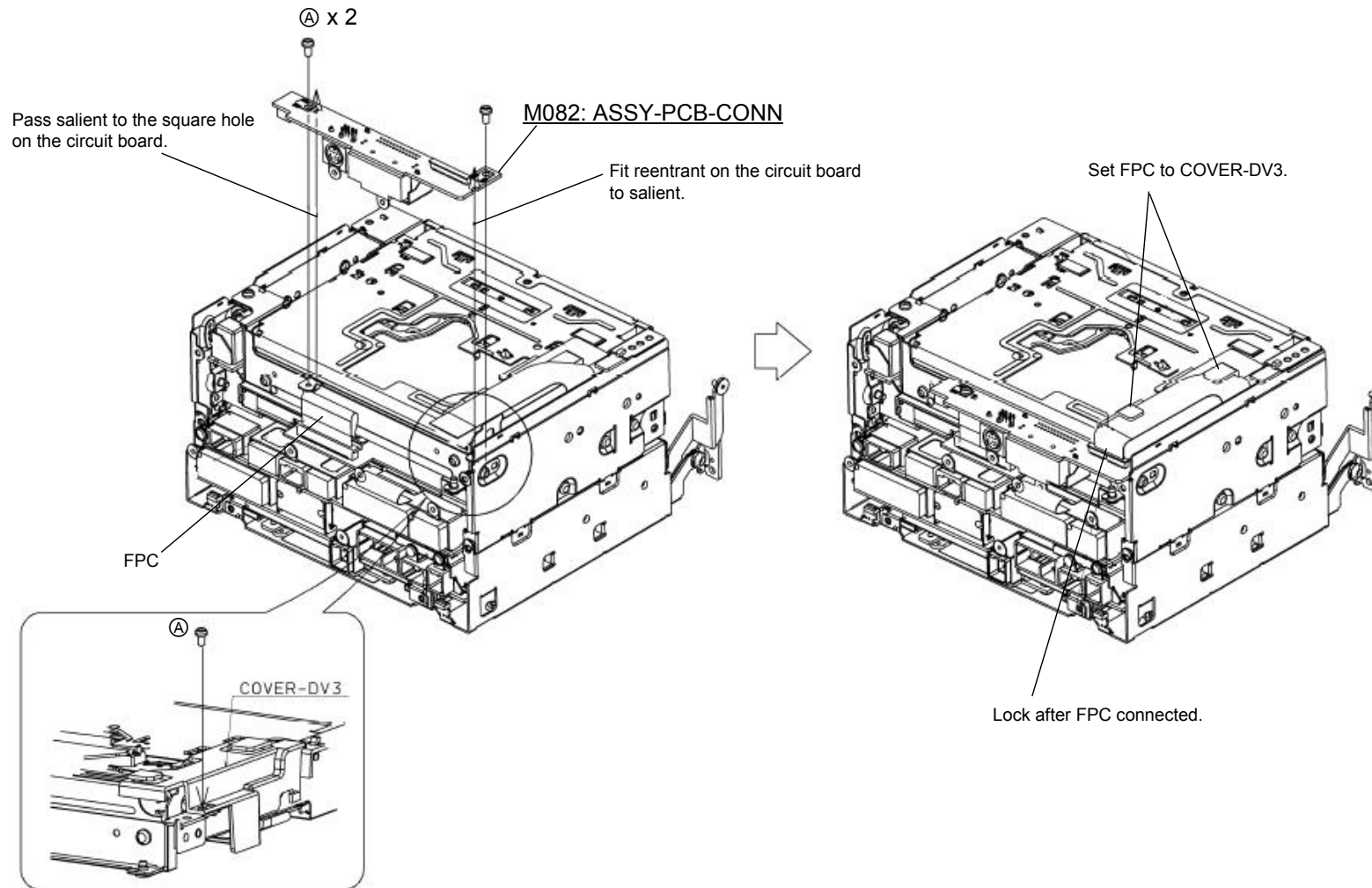
In reverse of assembling procedures.

- **Assembling procedures**

1.Screw M082 with the two screws(Ⓐ).

2.Screw the COVER-DV3 with the one screw(Ⓐ).

3.Connect the FPC to M082.



No.	Screw	Tighten torque(N· m)
Ⓐ	M3X6	0.7 +0.2/-0.1

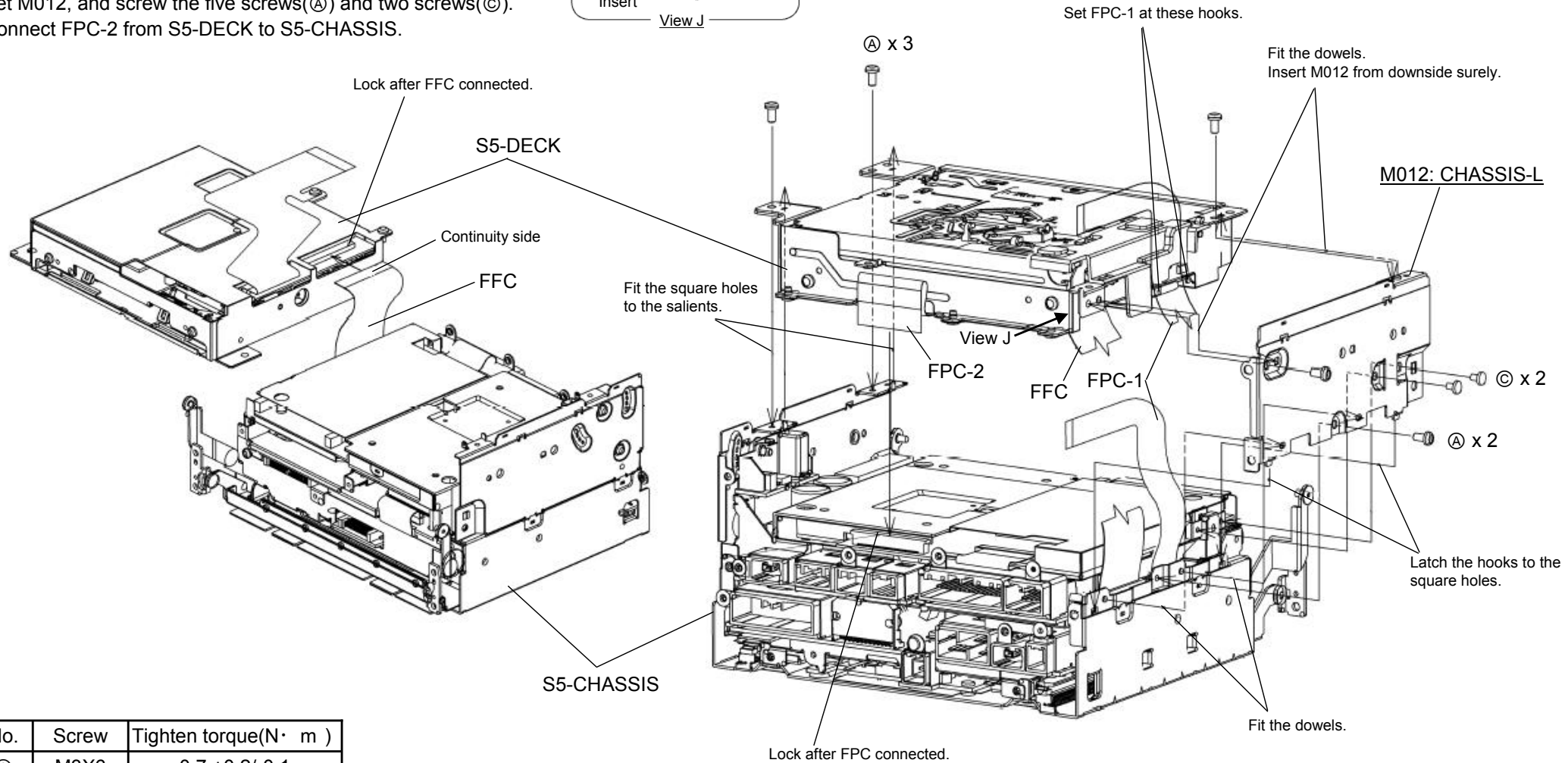
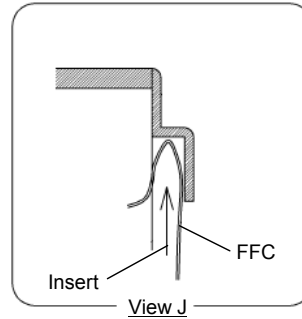
DISASSEMBLING PROCEDURES

- **Disassembling procedures**

In reverse of assembling procedures.

- **Assembling procedures**

1. Connect FFC from S5-CHASSIS to S5-DECK.
2. Fit the salients and put S5-DECK to S5-CHASSIS.
3. Set FPC-1 at the hooks of S5-DECK.
4. Insert the FFC to the cover of the S5-DECK. (View J)
5. Set M012, and screw the five screws(A) and two screws(C).
6. Connect FPC-2 from S5-DECK to S5-CHASSIS.



No.	Screw	Tighten torque(N· m)
Ⓐ	M3X6	0.7 +0.2/-0.1
Ⓒ	2.6X4	0.4 +0.2/-0.1

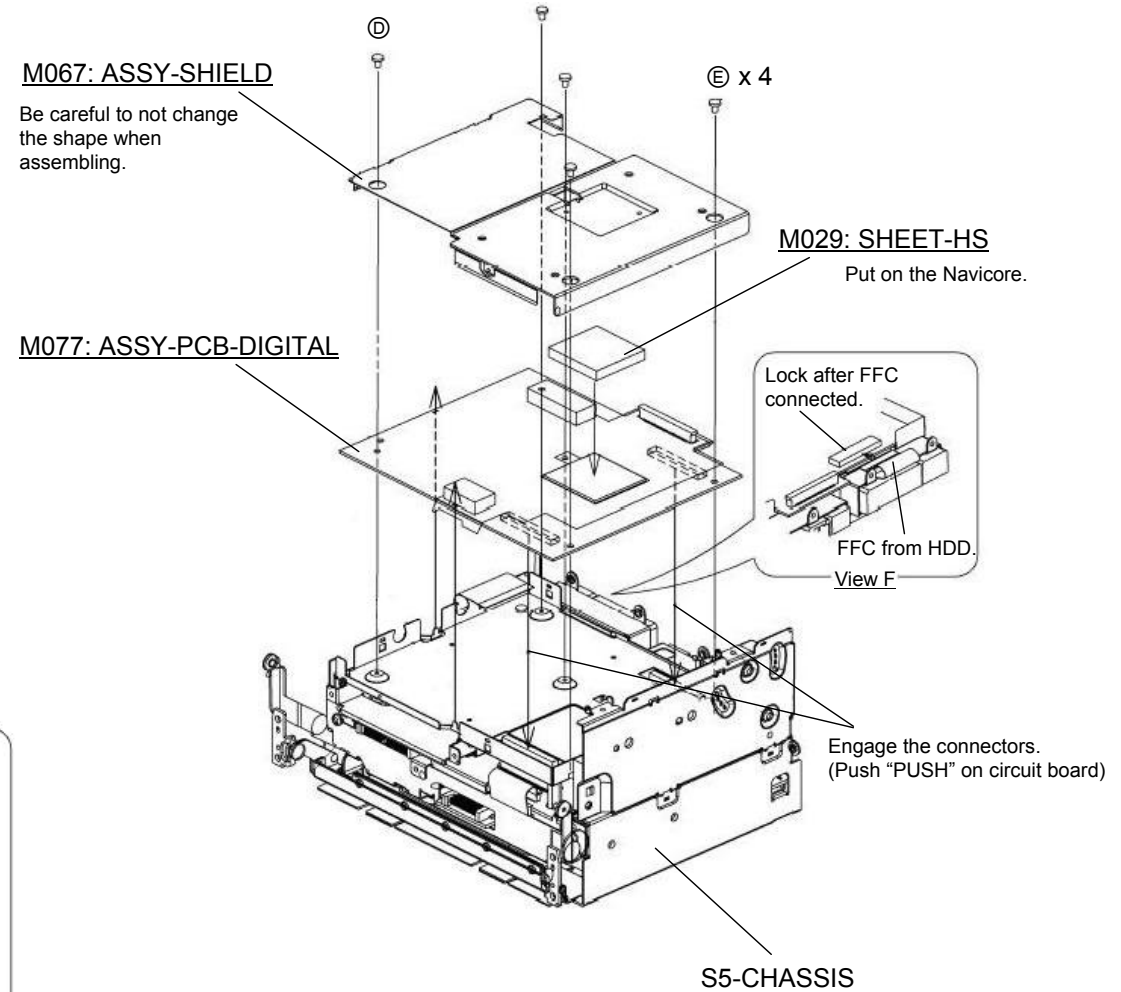
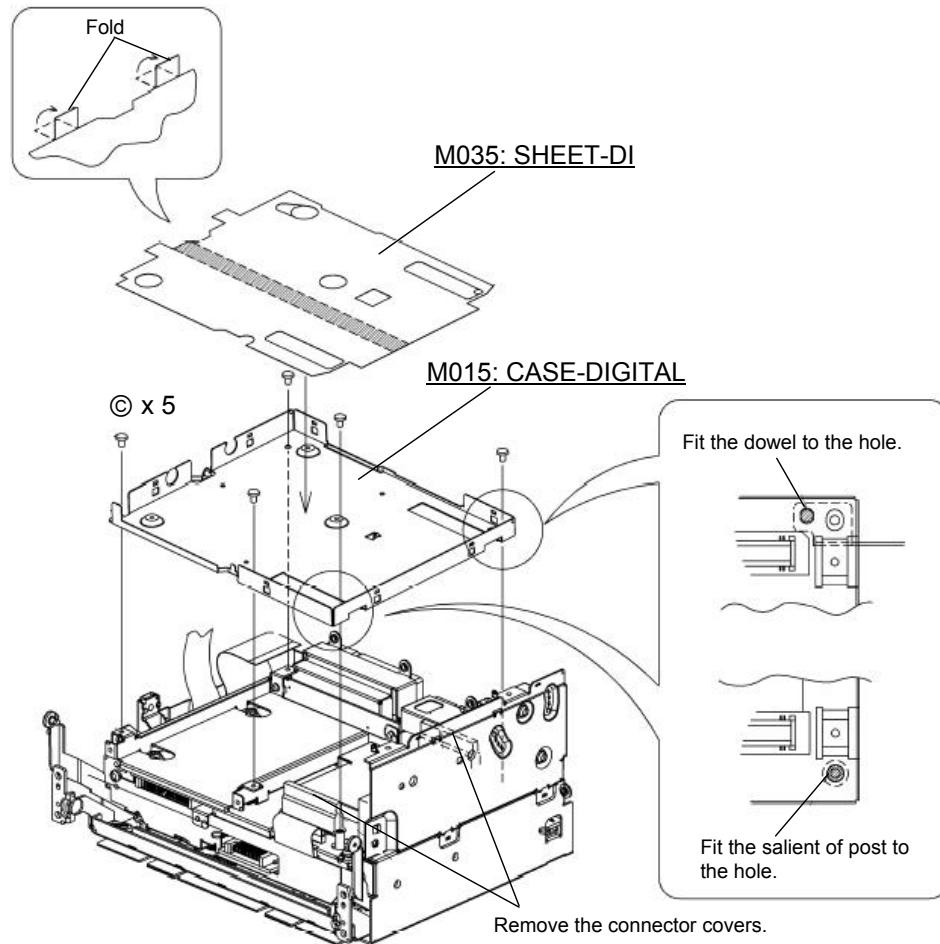
DISASSEMBLING PROCEDURES

- **Disassembling procedures**

In reverse of assembling procedures.

- **Assembling procedures**

1. Set M015 and screw the five screws(Ⓒ).
2. Remove the separator and stick M035 to M015.
3. Set M077 to S5-CHASSIS while matching the two salients.
4. Connect FFC from HDD circuit on S5-CHASSIS to M077. (View F)
5. Stick M029 to Navicore of M077.
6. Set M067, and screw the one screw(Ⓓ) and the four screws(Ⓔ).



No.	Screw	Tighten torque(N· m)
Ⓒ	2.6X4	0.4 +0.2/-0.1
Ⓓ	M2.6X3	0.4 +0.2/-0.1
Ⓔ	M2.6X6	0.4 +0.2/-0.1

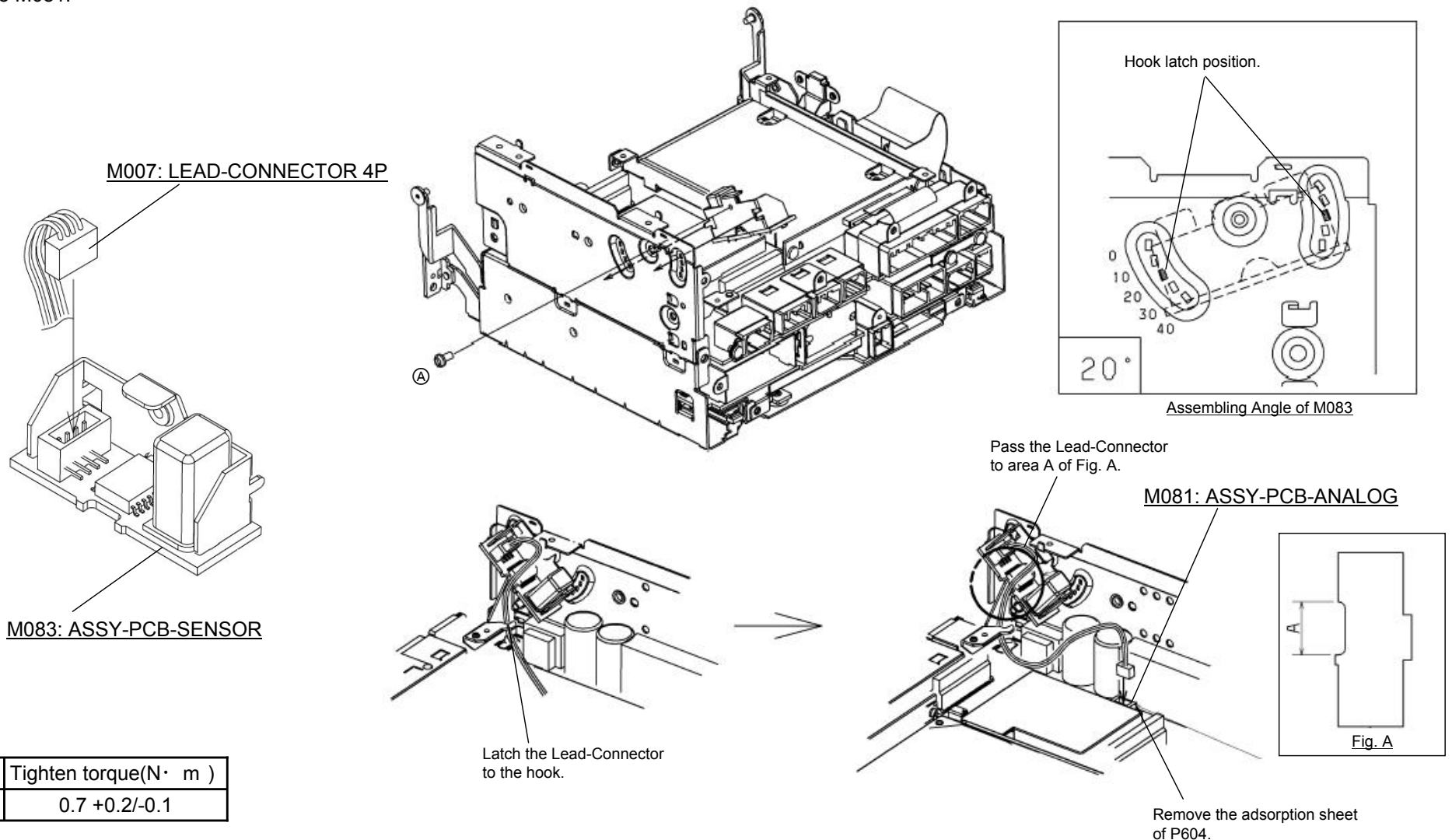
DISASSEMBLING PROCEDURES

- **Disassembling procedures**

In reverse of assembling procedures.

- **Assembling procedures**

1. Connect M007 to M083. (Either direction of the connector can be connected.)
2. Screw the M083 with the one screw(Ⓐ).
3. Latch the hook of M007 to the hook.
4. Connect M007 to M081.



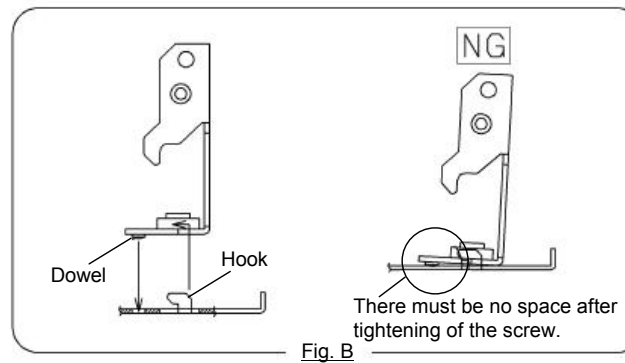
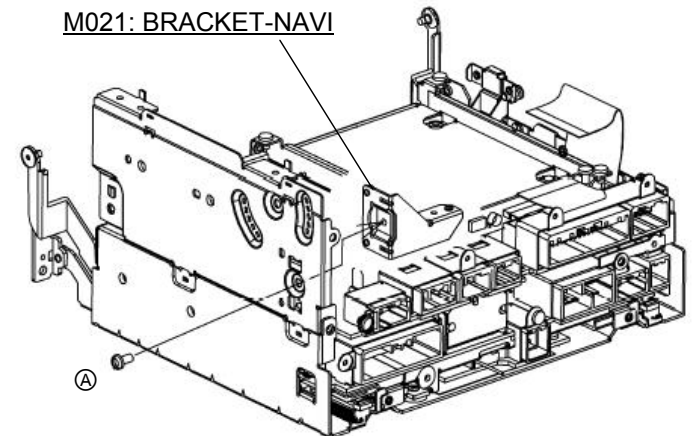
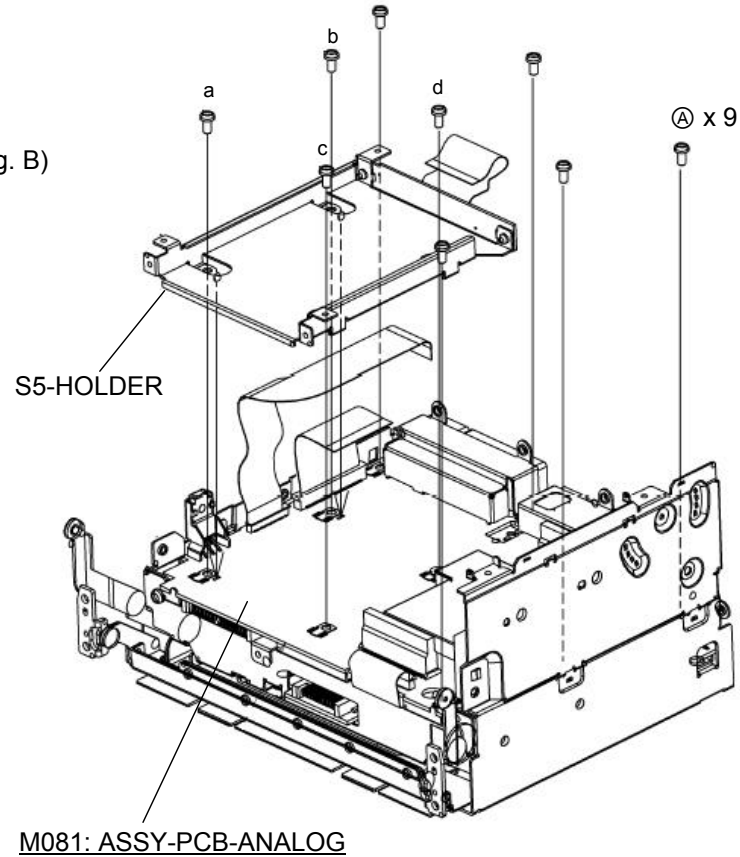
DISASSEMBLING PROCEDURES

- **Disassembling procedures**

In reverse of assembling procedures.

- **Assembling procedures**

- 1.Screw M081 with the five screws(Ⓐ).
- 2.Screw the S5-HOLDER with the four screws(Ⓐ) from a→b→c→d.
- 3.Latch the square hole of M021 to the hook, and set the dowel to the hole. (Fig. B)
- 4.Screw M021 with the one screw(Ⓐ).



No.	Screw	Tighten torque(N· m)
Ⓐ	M3X6	0.7 +0.2/-0.1

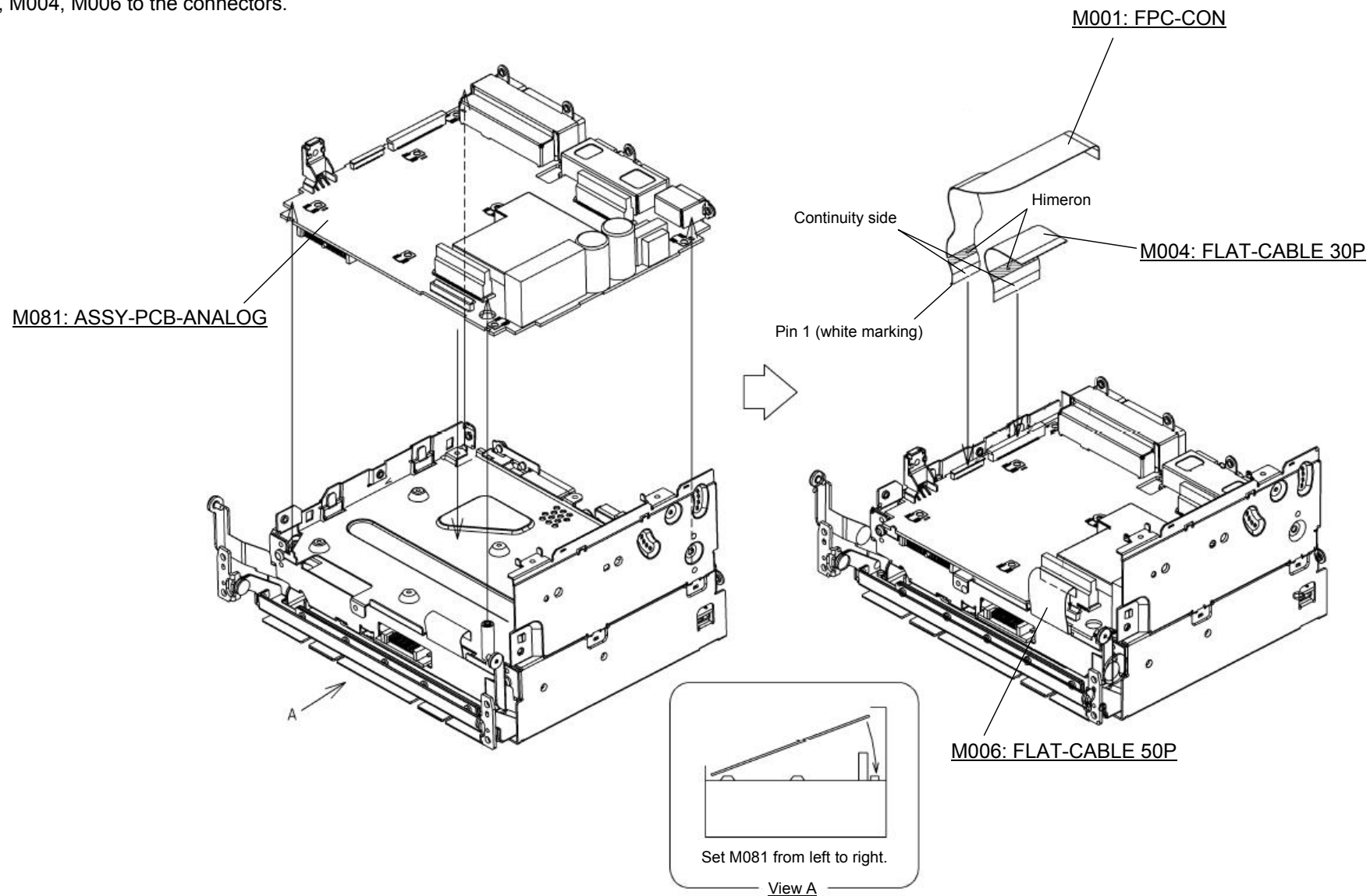
DISASSEMBLING PROCEDURES

- **Disassembling procedures**

In reverse of assembling procedures.

- **Assembling procedures**

1. Set the hook of chassis to M081. (View A)
2. Connect M001, M004, M006 to the connectors.



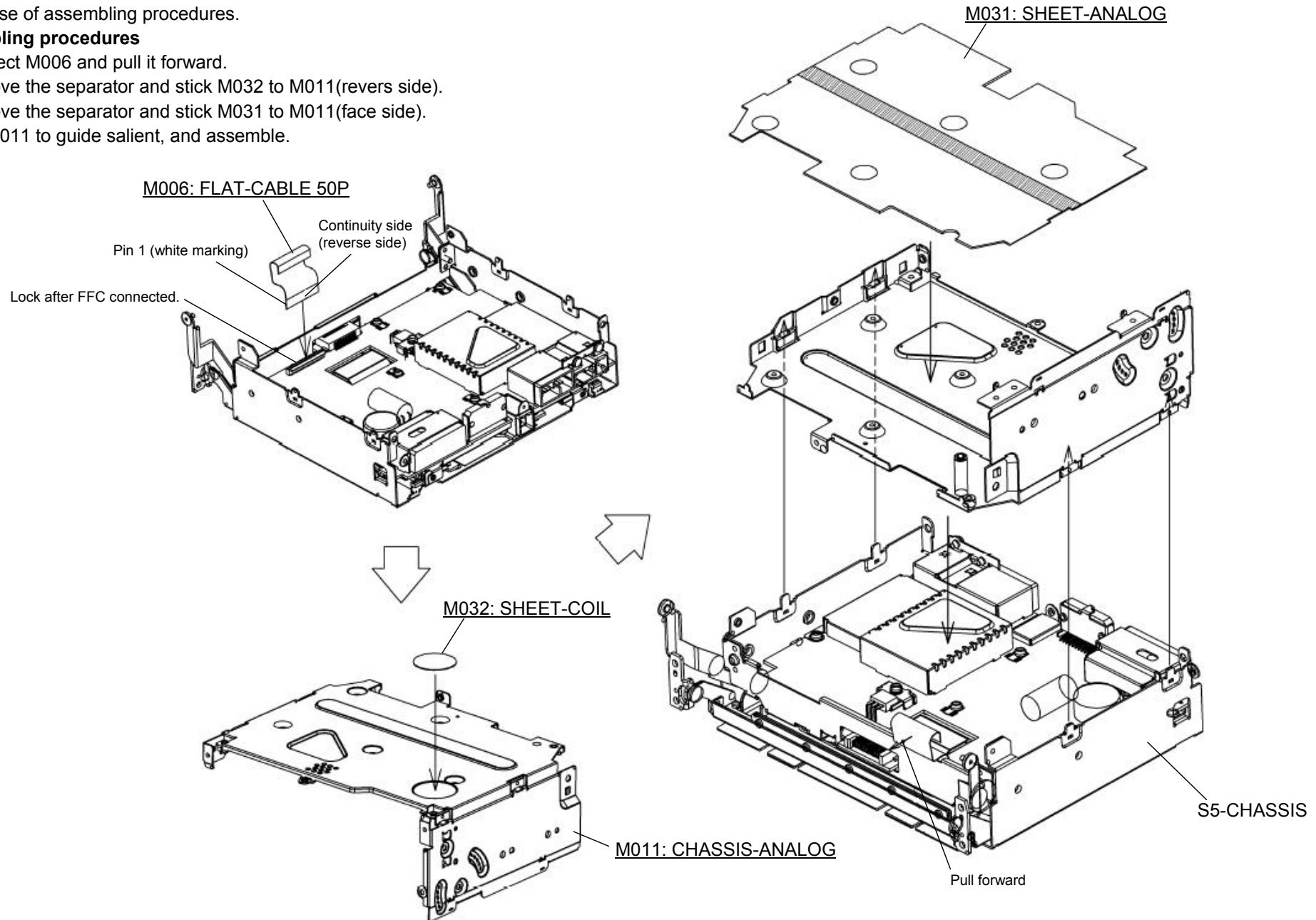
DISASSEMBLING PROCEDURES

- **Disassembling procedures**

In reverse of assembling procedures.

- **Assembling procedures**

1. Connect M006 and pull it forward.
2. Remove the separator and stick M032 to M011 (reverse side).
3. Remove the separator and stick M031 to M011 (face side).
4. Set M011 to guide salient, and assemble.



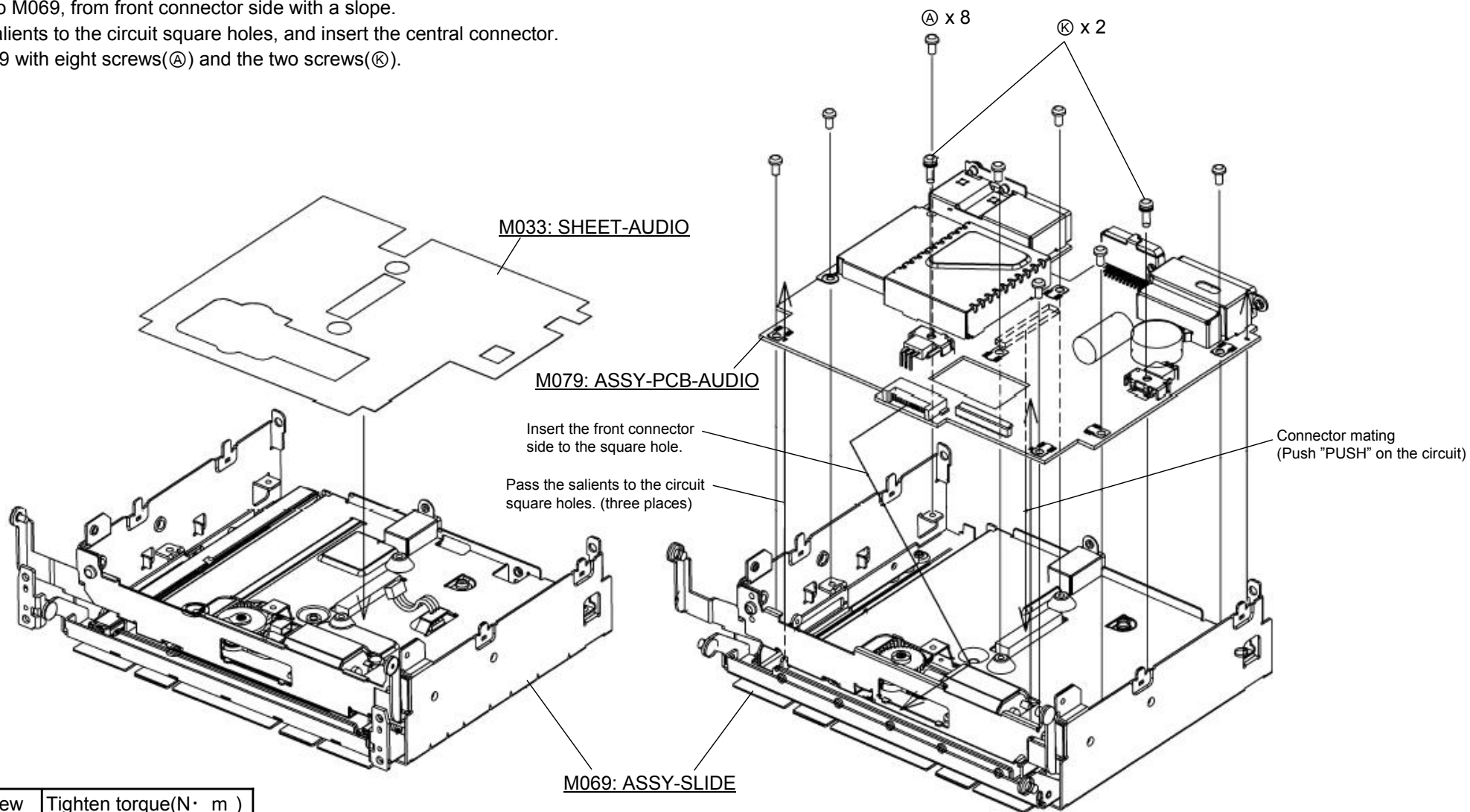
DISASSEMBLING PROCEDURES

- **Disassembling procedures**

In reverse of assembling procedures.

- **Assembling procedures**

- 1.Set M033 to M069.
- 2.Set M079 to M069, from front connector side with a slope.
- 3.Pass the salients to the circuit square holes, and insert the central connector.
- 4.Screw M079 with eight screws(Ⓐ) and the two screws(Ⓚ).



No.	Screw	Tighten torque(N· m)
Ⓐ	M3X6	0.7 +0.2/-0.1
Ⓚ	M3X10	0.7 +0.2/-0.1

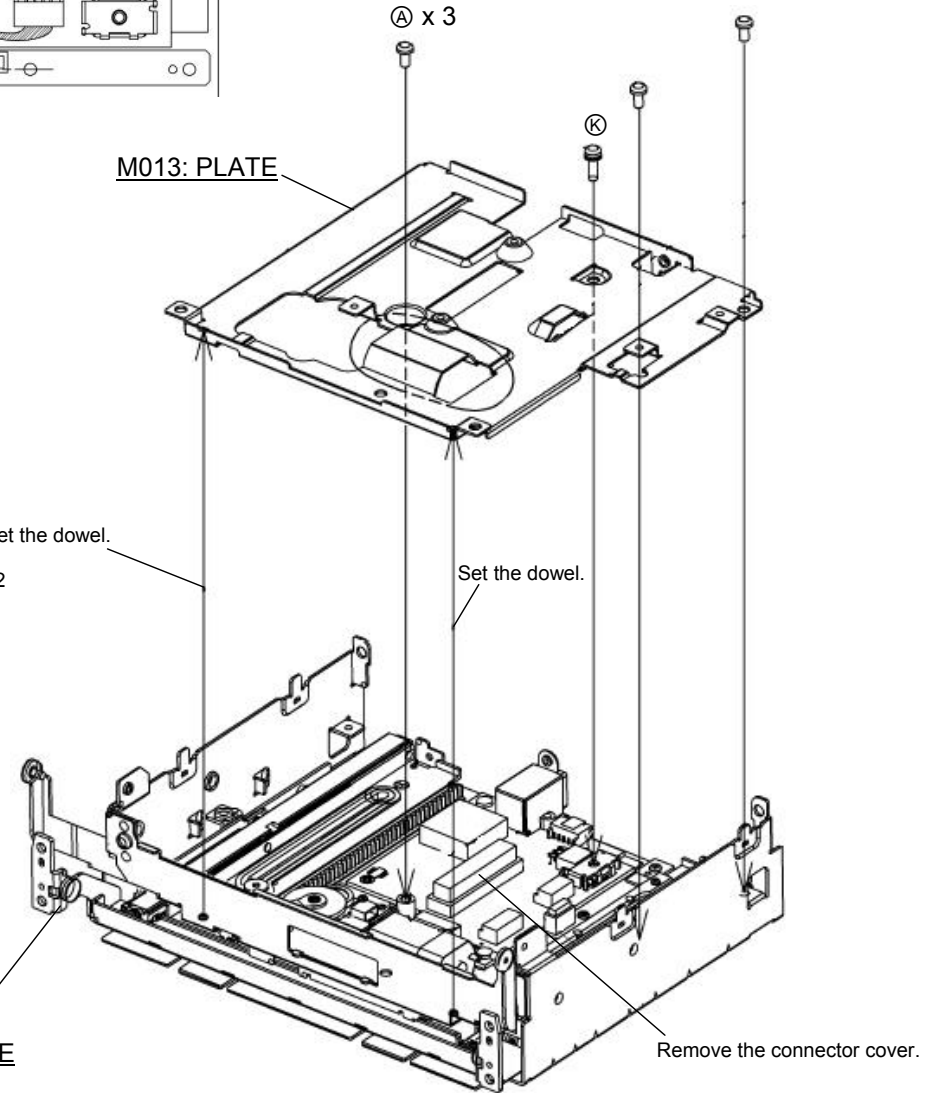
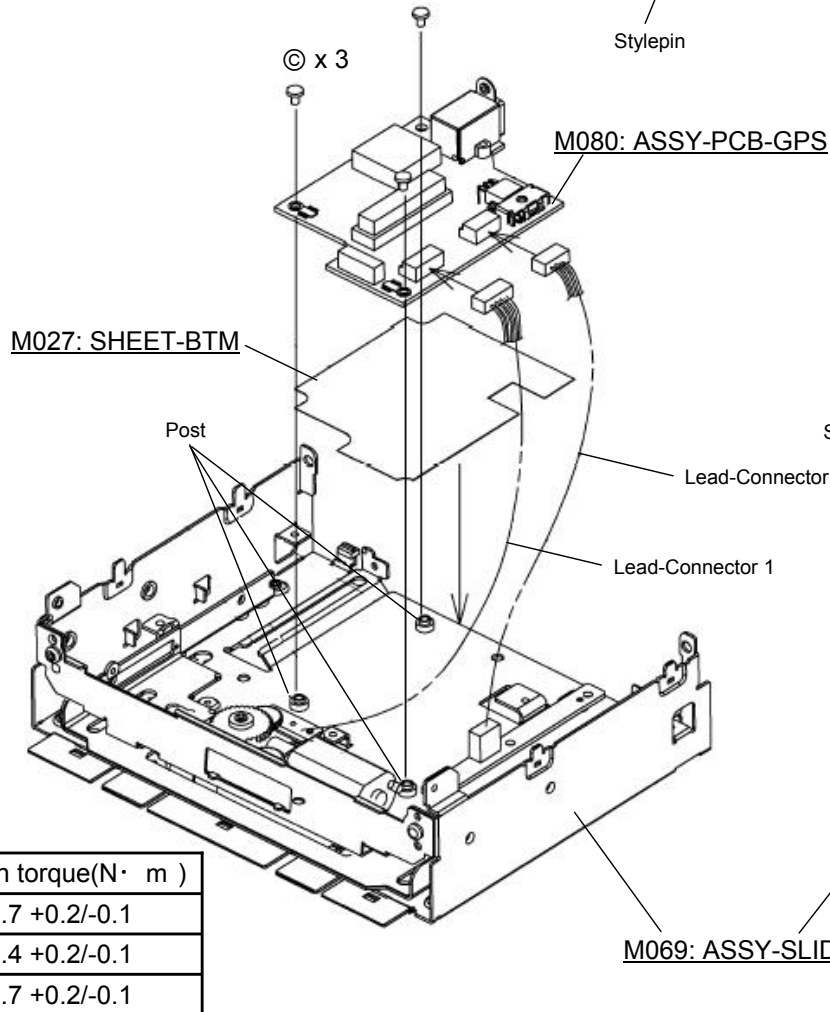
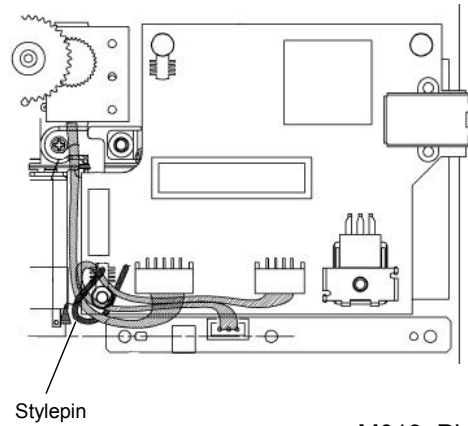
DISASSEMBLING PROCEDURES

- **Disassembling procedures**

In reverse of assembling procedures.

- **Assembling procedures**

- 1.Remove the tape from Lead-Connector 1 and Lead-Connector 2.
- 2.See three posts as a guide, put M027 on M069.
- 3.Screw M080 with the three screws(©).
- 4.Connect Lead-Connector 1 and Lead-Connector 2 to M080.
- 5.Hold two Lead-Connectors with the stylepin.
- 6.Screw M013 with the three screws(Ⓐ) and the one screw(Ⓚ).



No.	Screw	Tighten torque(N· m)
Ⓐ	M3X6	0.7 +0.2/-0.1
©	2.6X4	0.4 +0.2/-0.1
Ⓚ	M3X10	0.7 +0.2/-0.1

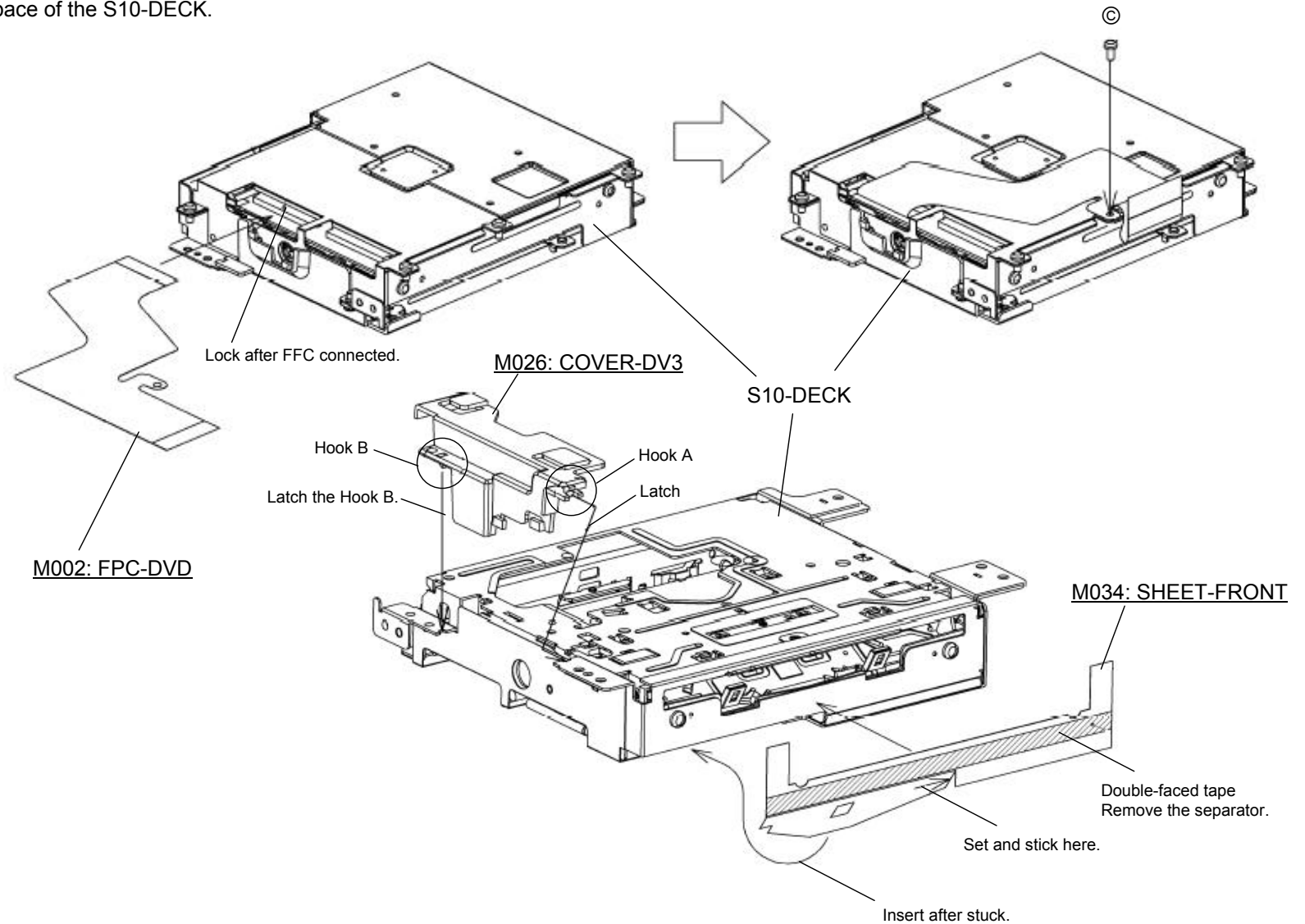
DISASSEMBLING PROCEDURES

- **Disassembling procedures**

In reverse of assembling procedures.

- **Assembling procedures**

1. Connect M002 to S10-DECK.
2. Screw the one screw(©).
3. Latch the Hook A to the S10-DECK, and latch the Hook B.
4. Remove the separator and stick M034.
5. Insert the folded part of M034 to under space of the S10-DECK.



No.	Screw	Tighten torque(N· m)
©	2.6X4	0.4 +0.2/-0.1

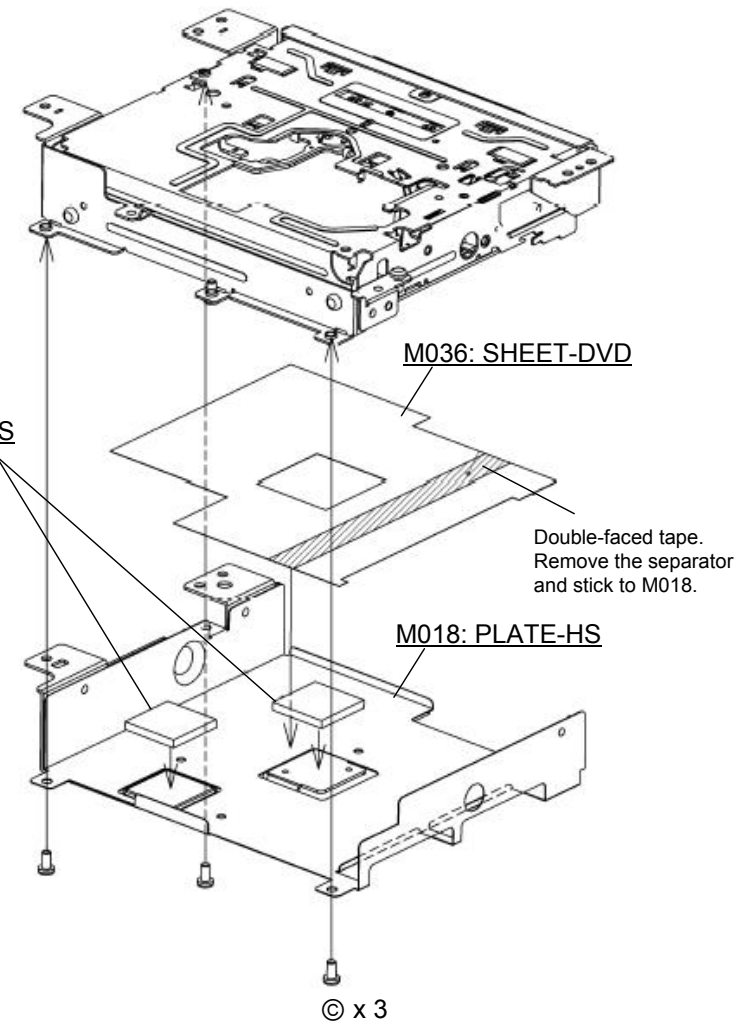
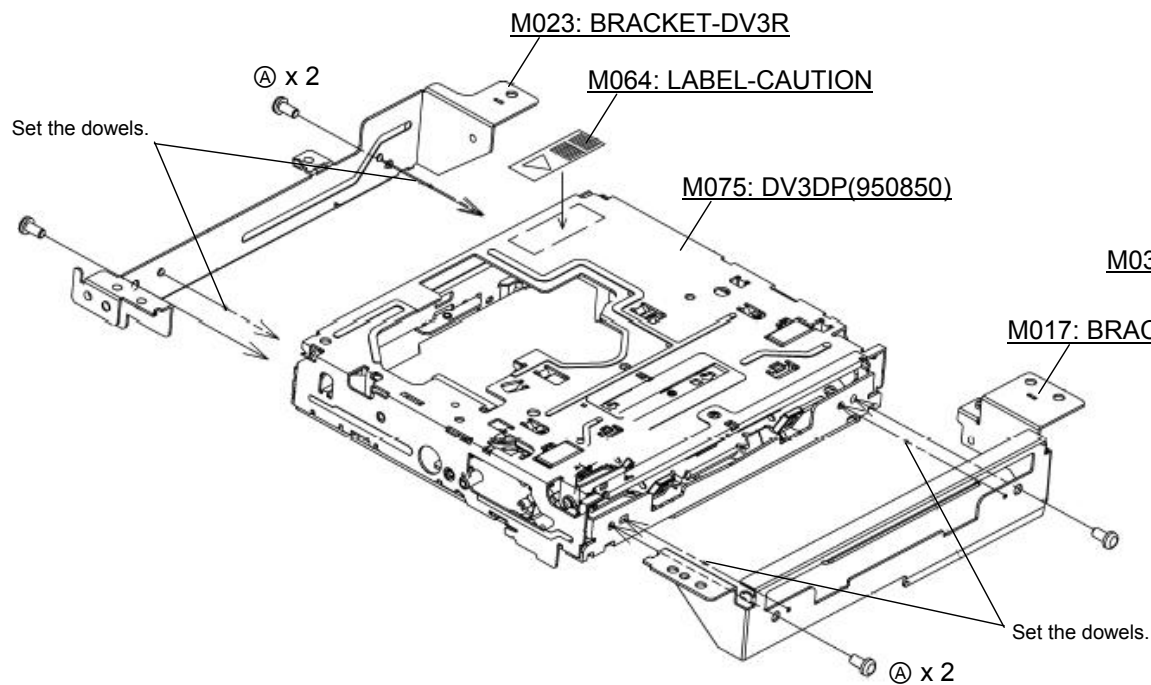
DISASSEMBLING PROCEDURES

- **Disassembling procedures**

In reverse of assembling procedures.

- **Assembling procedures**

- 1.Screw M017 with the two screws(Ⓐ).
- 2.Screw M023 with the two screws(Ⓐ).
- 3.Stick M064 to M075.
- 4.Remove the separator and stick M036.
- 5.Attach M030 to M018.
- 6.Screw M018 with the three screws(Ⓒ) from bottom.



No.	Screw	Tighten torque(N· m)
Ⓐ	M3X6	0.7 +0.2/-0.1
Ⓒ	2.6X4	0.4 +0.2/-0.1

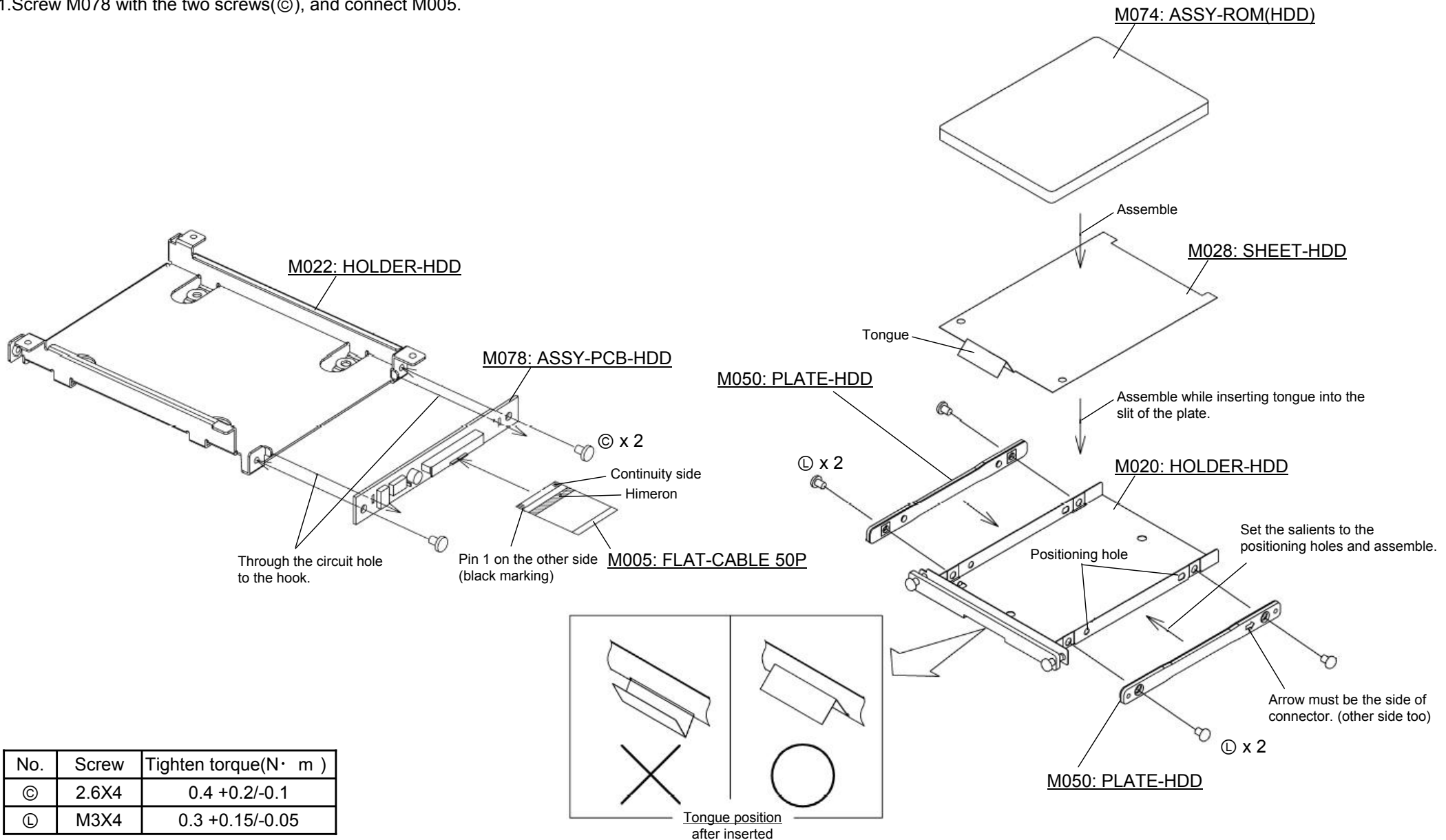
DISASSEMBLING PROCEDURES

- **Disassembling procedures**

In reverse of assembling procedures.

- **Assembling procedures**

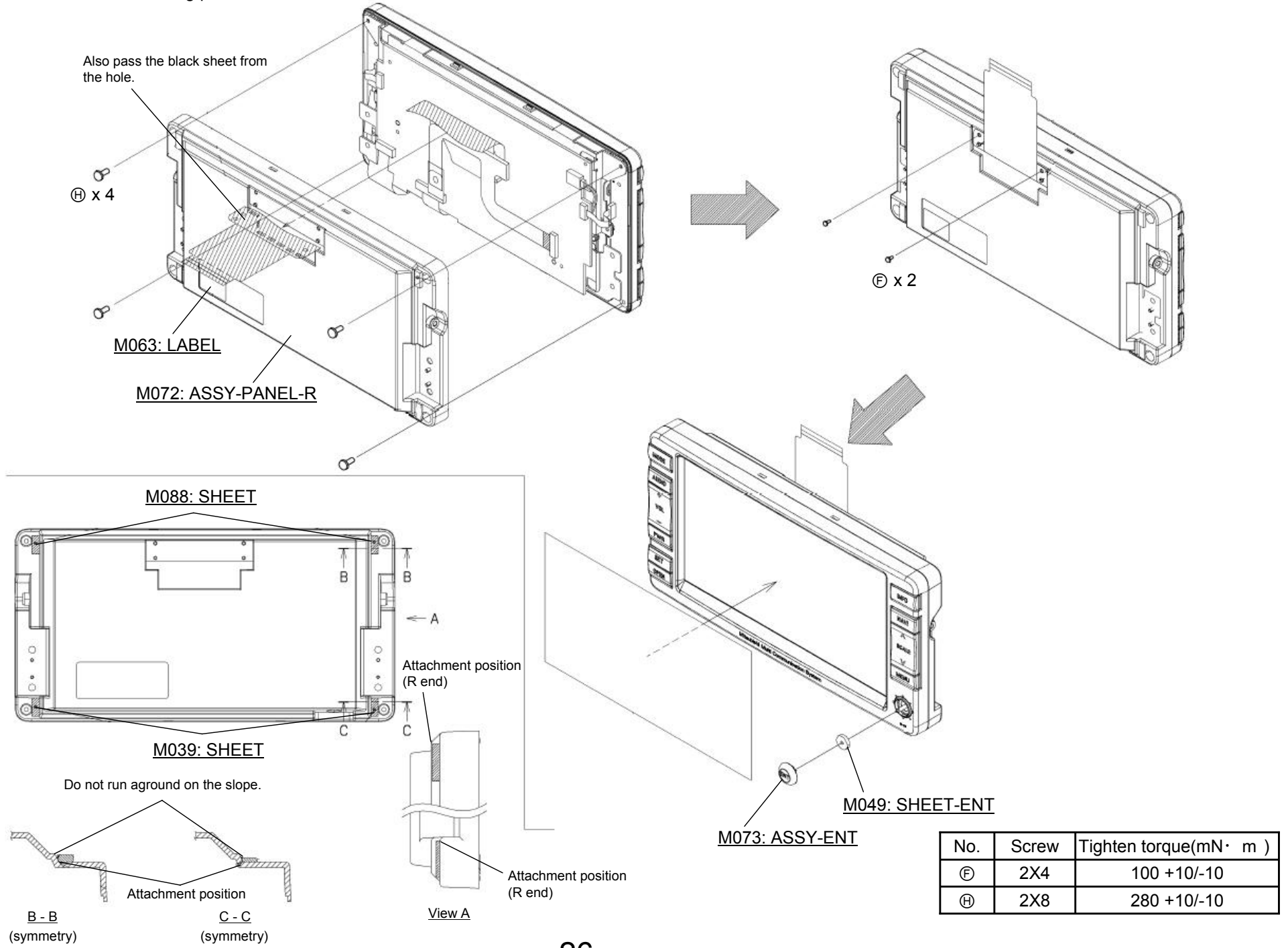
1.Screw M078 with the two screws(Ⓢ), and connect M005.



No.	Screw	Tighten torque(N· m)
Ⓢ	2.6X4	0.4 +0.2/-0.1
Ⓛ	M3X4	0.3 +0.15/-0.05

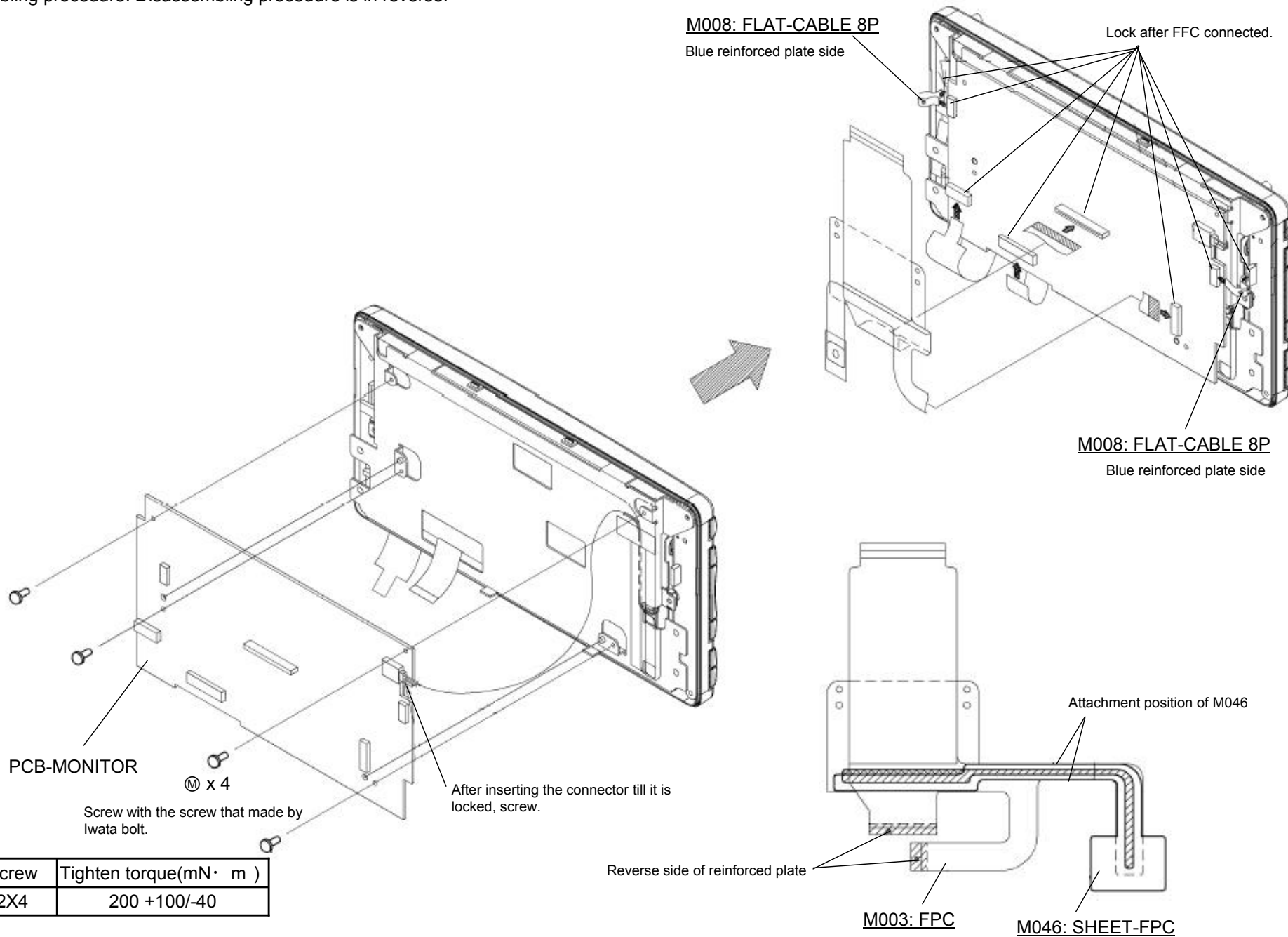
DISASSEMBLING PROCEDURES

*It is assembling procedure. Disassembling procedure is in reverse.



DISASSEMBLING PROCEDURES

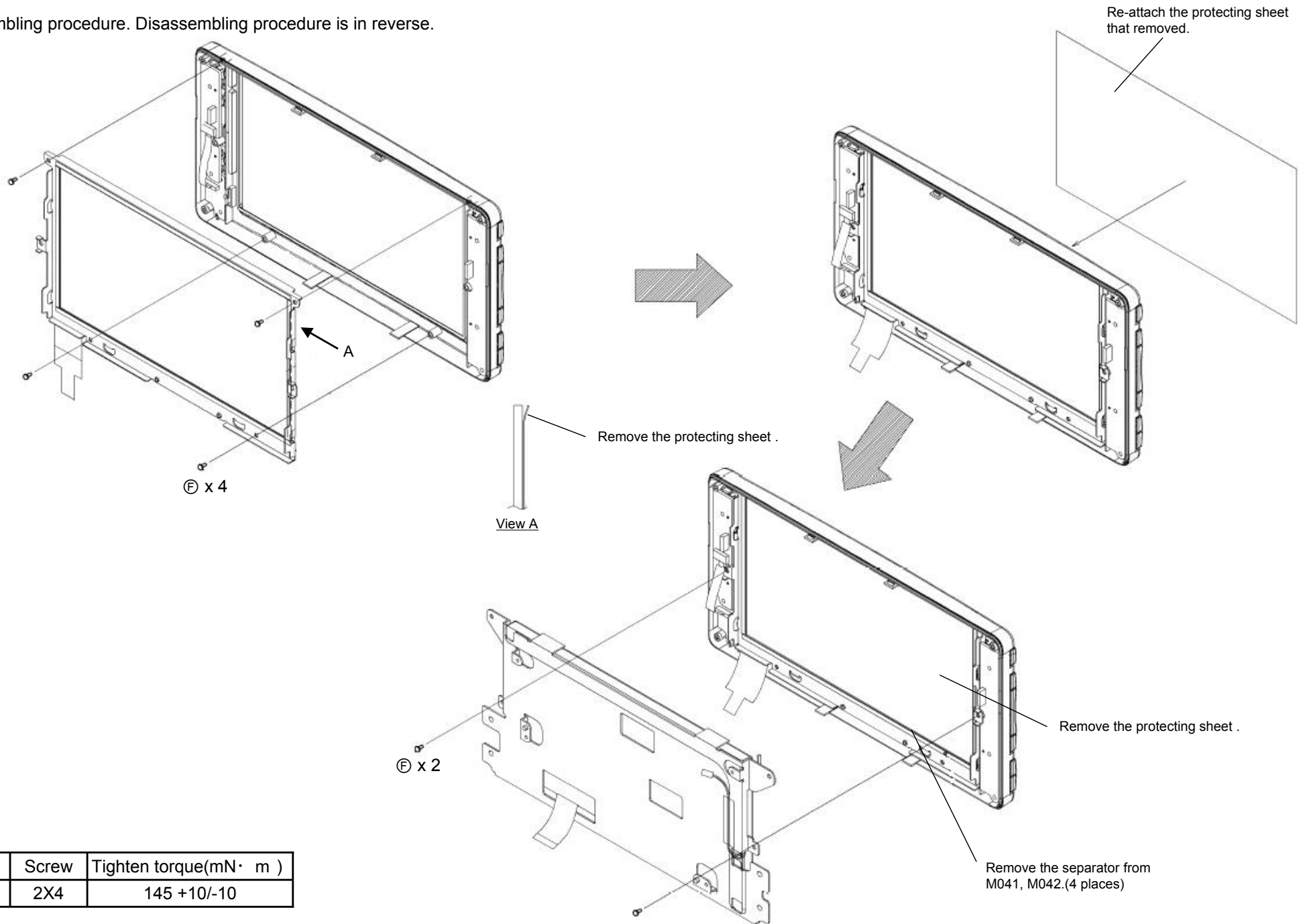
*It is assembling procedure. Disassembling procedure is in reverse.



No.	Screw	Tighten torque(mN· m)
Ⓜ	2X4	200 +100/-40

DISASSEMBLING PROCEDURES

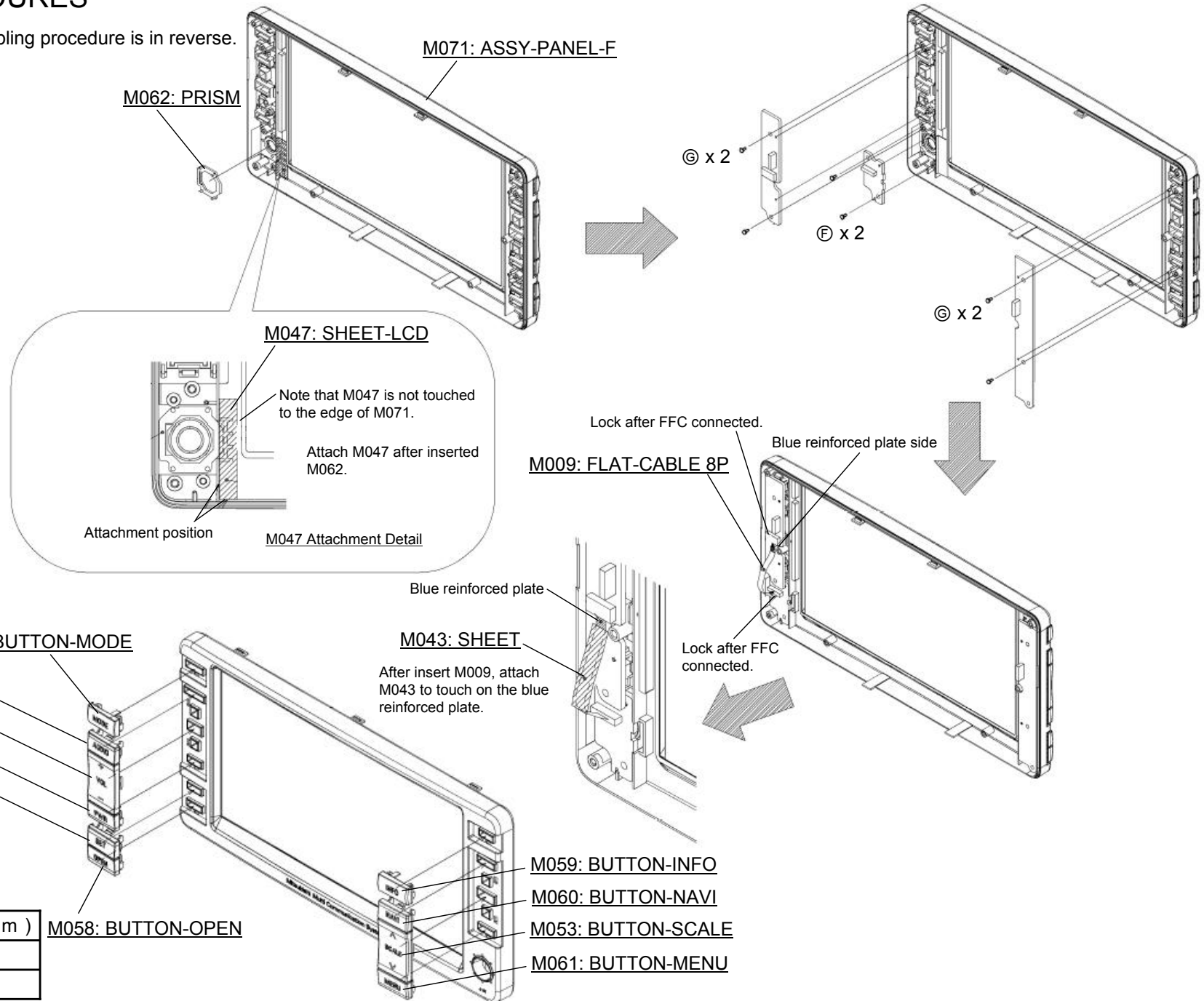
*It is assembling procedure. Disassembling procedure is in reverse.



No.	Screw	Tighten torque(mN· m)
ⓔ	2X4	145 +10/-10

DISASSEMBLING PROCEDURES

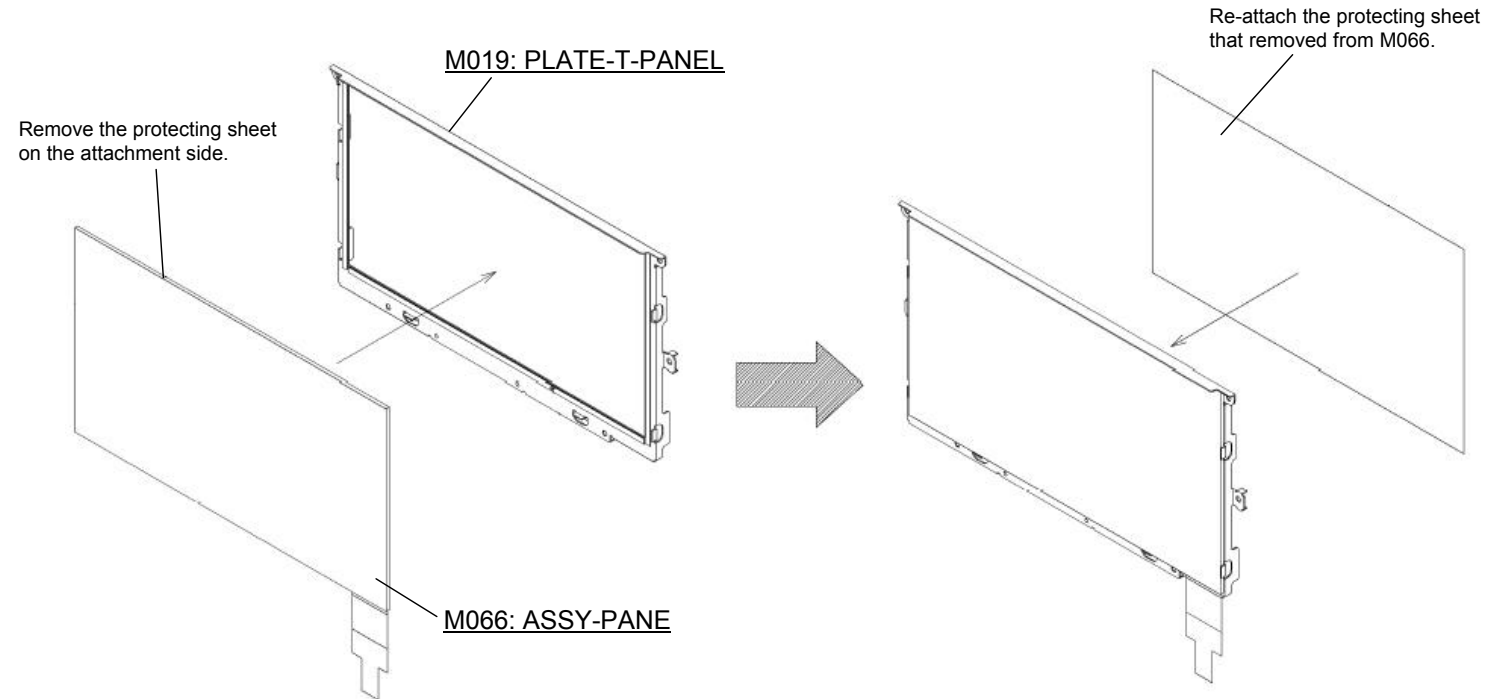
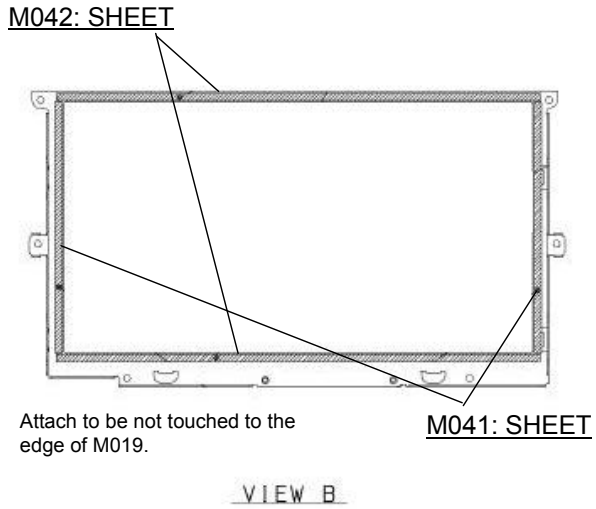
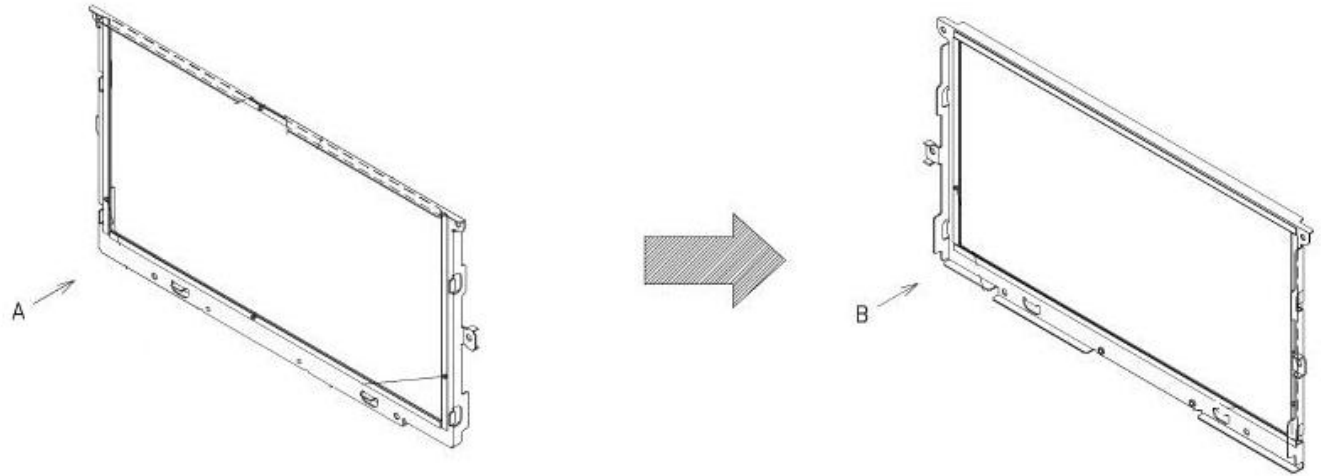
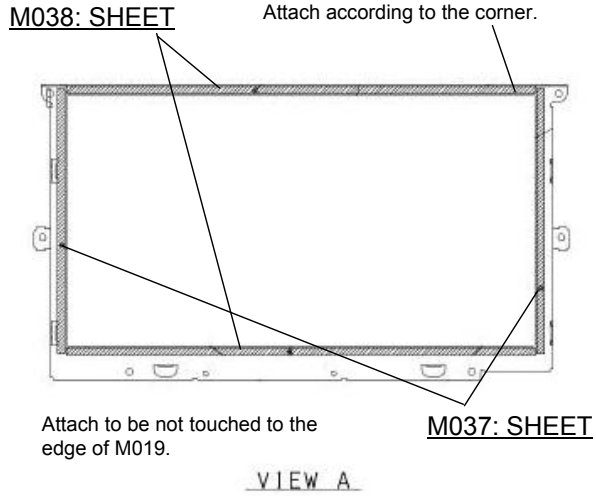
*It is assembling procedure. Disassembling procedure is in reverse.



No.	Screw	Tighten torque(mN· m)
Ⓕ	2X4	125 +10/-10
Ⓒ	2X6	185 +10/-10

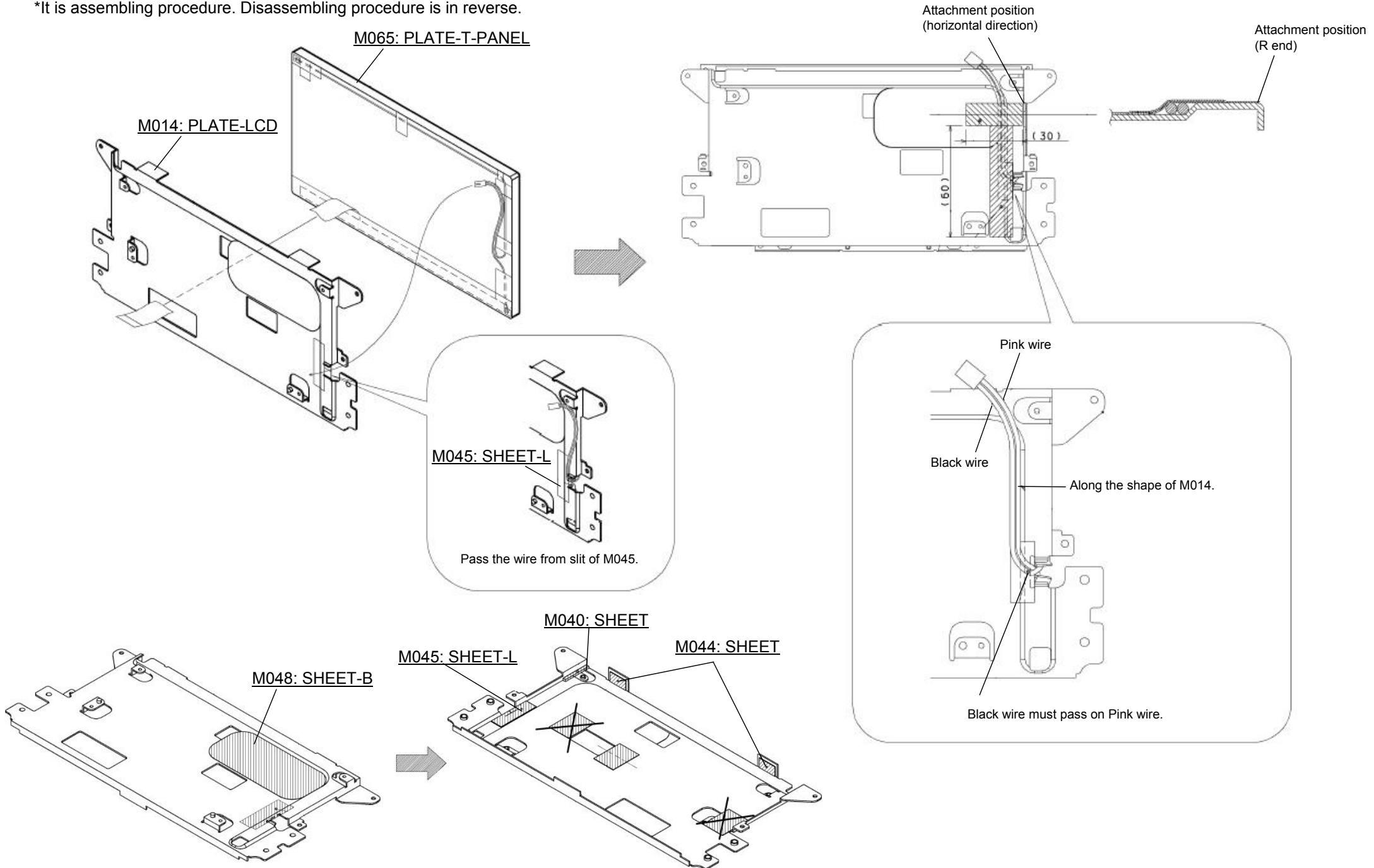
DISASSEMBLING PROCEDURES

*It is assembling procedure. Disassembling procedure is in reverse.



DISASSEMBLING PROCEDURES

*It is assembling procedure. Disassembling procedure is in reverse.



PARTS LIST

Ref. No.	Parts No.	Parts Name	Page
M001	241L91810	FPC-CON	P.19
M002	241L91910	FPC-DVD	P.23
M003	210K45110	FPC	P.27
M004	246L55611	FLAT-CABLE 30P	P.19
M005	246L45025	FLAT-CABLE 50P	P.25
M006	246L45026	FLAT-CABLE 50P	P.19,20
M007	246L47112	LEAD-CONNECTOR 4P	P.17
M008	246L47226	FLAT-CABLE 8P	P.27
M009	246L47227	FLAT-CABLE 8P	P.29
M010	288P08415	MOTOR-FAN	P.13
M011	560J33413	CHASSIS-ANALOG	P.20
M012	560K29023	CHASSIS-L	P.15
M013	590J39812	PLATE	P.22
M014	590J42711	PLATE-LCD	P.31
M015	591K54511	CASE-DIGITAL	P.16
M016	591K56610	COVER-TOP	P.11
M017	591K56710	BRACKET-DV3F	P.24
M018	591K56811	PLATE-HS	P.24
M019	591K62910	PLATE-T-PANEL	P.30
M020	593L68211	HOLDER-HDD	P.25
M021	593L75210	BRACKET-NAVI	P.18
M022	593L75310	HOLDER-HDD	P.25
M023	593L75420	BRACKET-DV3R	P.24
M024	630L36511	PIN-MONI	P.10
M025	635J09611	HEAT-SINK	P.13
M026	641K40412	COVER-DV3	P.23
M027	643L15011	SHEET-BTM	P.22
M028	643L15110	SHEET-HDD	P.25
M029	643L41915	SHEET-HS	P.16
M030	643L41916	SHEET-HS	P.24
M031	643L47510	SHEET-ANALOG	P.20
M032	643L47610	SHEET-COIL	P.20
M033	643L47811	SHEET-AUDIO	P.21
M034	643L47910	SHEET-FRONT	P.23
M035	643L55410	SHEET-DI	P.16
M036	643L60310	SHEET-DVD	P.24
M037	643L60812	SHEET	P.30
M038	643L60813	SHEET	P.30
M039	643L60815	SHEET	P.26
M040	643L60816	SHEET	P.31
M041	643L60817	SHEET	P.30
M042	643L60818	SHEET	P.30
M043	643L60819	SHEET	P.29
M044	643L60820	SHEET	P.31
M045	643L60910	SHEET-L	P.31
M046	643L61010	SHEET-FPC	P.27
M047	643L61110	SHEET-LCD	P.29
M048	643L61210	SHEET-B	P.31
M049	643L61310	SHEET-ENT	P.26
M050	645L21310	PLATE-HDD	P.25

* Marked part is the ASSY replacement.

Ref. No.	Parts No.	Parts Name	Page
M051	707L24214	PANEL-HDD	P.10
M052	734K03710	BUTTON-VOL	P.29
M053	734K03810	BUTTON-SCALE	P.29
M054	734K03910	BUTTON-MODE	P.29
M055	734K04010	BUTTON-AUDIO	P.29
M056	734K04110	BUTTON-PWR	P.29
M057	734K04210	BUTTON-SET	P.29
M058	734K04310	BUTTON-OPEN	P.29
M059	734K04410	BUTTON-INFO	P.29
M060	734K04510	BUTTON-NAVI	P.29
M061	734K04610	BUTTON-MENU	P.29
M062	761L62110	PRISM	P.29
M063	850L96010	LABEL	P.26
M064	851L26204	LABEL-CAUTION	P.24
M065	890P11220	ASSY-LCD	P.31
M066	890P11813	ASSY-PANE	P.30
M067	891K25210	ASSY-SHIELD	P.16
M068	891L65816	ASSY-COVER-F	P.10
M069	892J02655	ASSY-SLIDE	P.21,22
M070	892K52111	ASSY-PANEL-SUB	P.12
M071	892L45330	ASSY-PANEL-F	P.29
M072	892L45412	ASSY-PANEL-R	P.26
M073	892L45512	ASSY-ENT	P.26
M074	937L39313	ASSY-ROM(HDD)	P.25
*M075	940L42710	DV3DP(950850)	P.24
M076	943M21602	ASSY-PCB-PANEL	P.12
M077	943M26801	ASSY-PCB-DIGITAL	P.16
M078	943M26802	ASSY-PCB-HDD	P.25
M079	943M33005	ASSY-PCB-AUDIO	P.21
M080	943M33006	ASSY-PCB-GPS	P.22
M081	943M33007	ASSY-PCB-ANALOG	P.17,18,19
M082	943M33008	ASSY-PCB-CONN	P.14
M083	943M33009	ASSY-PCB-SENSOR	P.17
M084	943M33101	NAME-CARD(NR-261UM-07LAN4)	P.10
M085	943M33102	NAME-CARD(NR-261UM-07-5WS)	P.10
M086	967L15127	S2-MONI	P.10
M088	643L60821	SHEET	P.26
A	653P01046	SCREW-MC-PAN M3X6	-
B	653P01446	SCREW-MC-PAN M3X6	-
C	653P03026	SCREW-MC-BIND 2.6X4	-
D	653P03425	SCREW-MC-BIND M2.6X3	-
E	653P06027	SCREW-MC-SEMS M2.6X6	-
F	653P21662	SCREW-B-PAN 2X4	-
G	653P21766	SCREW-B-PAN 2X6	-
H	653P41616	SCREW-MC-PAN 2X8	-
J	669L11110	SCREW-TAP 2X4	-
K	669L11210	SCREW-SEMS M3X10	-
L	669L12610	SCREW-FH M3X4	-
M	669L13710	SCREW-S-BIND 2X4	-

ELECTRICAL PARTS LIST

Ref. No.	Parts No.	Parts Name	Note	Spec.	Base Parts No.
ANT001	449L07608	SOCKET			N931L16314
C003	141L16406	C-CERAMIC-CHIP	GRM188B11C104KA01D	B 16V 104K 1608	N937L05211
C004	141L16009	C-CERAMIC-CHIP	GRM188B11H102KA01D	B 50V 102K 1608	N937L05211
C005	141L18101	C-CERAMIC-CHIP	GRM1882C1H100RZ01D	CH50V100C 1608	N937L05211
C006	141L16009	C-CERAMIC-CHIP	GRM188B11H102KA01D	B 50V 102K 1608	N937L05211
C007	141L16009	C-CERAMIC-CHIP	GRM188B11H102KA01D	B 50V 102K 1608	N937L05211
C008	141L18101	C-CERAMIC-CHIP	GRM1882C1H100RZ01D	CH50V100C 1608	N937L05211
C009	141L16201	C-CERAMIC-CHIP	GRM188B11H103KA01D	B 50V 103K 1608	N937L05211
C011	141L16009	C-CERAMIC-CHIP	GRM188B11H102KA01D	B 50V 102K 1608	N937L05211
C012	141L16009	C-CERAMIC-CHIP	GRM188B11H102KA01D	B 50V 102K 1608	N937L05211
C013	141L16009	C-CERAMIC-CHIP	GRM188B11H102KA01D	B 50V 102K 1608	N937L05211
C014	141L16009	C-CERAMIC-CHIP	GRM188B11H102KA01D	B 50V 102K 1608	N937L05211
C01G	141L06905	C-CERAMIC-CHIP	GRM21BB11C105KC01L	B 16V 105K 2125	N937L16612
C01P	141L16009	C-CERAMIC-CHIP	GRM188B11H102KA01D	B 50V 102K 1608	N937L05211
C02G	141P15900	C-CERAMIC-CHIP	GRM155B11A104KA01D	B 10V 104K1005	N937L16612
C02P	141L16009	C-CERAMIC-CHIP	GRM188B11H102KA01D	B 50V 102K 1608	N937L05211
C03G	141P15301	C-CERAMIC-CHIP	GRM155B11E103KA01D	B 25V 103K1005	N937L16612
C03P	141L16009	C-CERAMIC-CHIP	GRM188B11H102KA01D	B 50V 102K 1608	N937L05211
C04P	141L16009	C-CERAMIC-CHIP	GRM188B11H102KA01D	B 50V 102K 1608	N937L05211
C05P	141L16009	C-CERAMIC-CHIP	GRM188B11H102KA01D	B 50V 102K 1608	N937L05211
C06P	141L16009	C-CERAMIC-CHIP	GRM188B11H102KA01D	B 50V 102K 1608	N937L05211
C090	141L16406	C-CERAMIC-CHIP	GRM188B11C104KA01D	B 16V 104K 1608	N937L05211
C092	141L06905	C-CERAMIC-CHIP	GRM21BB11C105KC01L	B 16V 105K 2125	N937L16612
C093	181P80127	C-ELECTROLYTIC-CHIP	UWX1C101MCL1GB	16V 101M	N937L05211
C094	181P80127	C-ELECTROLYTIC-CHIP	UWX1C101MCL1GB	16V 101M	N937L05211
C0D1	181P80161	C-ELECTROLYTIC-CHIP	UWX1H010MCL1GB	50V 010M	N931L16414
C0D3	141L16201	C-CERAMIC-CHIP	GRM188B11H103KA01D	B 50V 103K 1608	N937L05211
C0D4	181P80124	C-ELECTROLYTIC-CHIP	UWR1C220MCL1GB	16V 220M	N931L16414
C0D5	181P80126	C-ELECTROLYTIC-CHIP	UWR1C470MCL1GB	16V 470M	N931L16414
C0D6	141L16201	C-CERAMIC-CHIP	GRM188B11H103KA01D	B 50V 103K 1608	N937L05211
C0D8	141L16201	C-CERAMIC-CHIP	GRM188B11H103KA01D	B 50V 103K 1608	N937L05211
C0D9	181P80149	C-ELECTROLYTIC-CHIP	UWX1V4R7MCL1GB	35V 4R7M	N937L05211
C0E0	141L16303	C-CERAMIC-CHIP	GRM188B11E223KA01D	B 25V 223K 1608	N931L16414
C0E1	141L16101	C-CERAMIC-CHIP	GRM188B11H152KA01D	B 50V 152K 1608	N931L16414
C0E2	141L16303	C-CERAMIC-CHIP	GRM188B11E223KA01D	B 25V 223K 1608	N931L16414
C0E3	141L16101	C-CERAMIC-CHIP	GRM188B11H152KA01D	B 50V 152K 1608	N931L16414
C0E4	141L16409	C-CERAMIC-CHIP	CM105W5R474K10AT	B 10V 474K 1608	N937L05211
C0E5	141L16409	C-CERAMIC-CHIP	CM105W5R474K10AT	B 10V 474K 1608	N937L05211
C0E6	141L16409	C-CERAMIC-CHIP	CM105W5R474K10AT	B 10V 474K 1608	N937L05211
C0E7	141L16409	C-CERAMIC-CHIP	CM105W5R474K10AT	B 10V 474K 1608	N937L05211
C0E8	141L06905	C-CERAMIC-CHIP	GRM21BB11C105KC01L	B 16V 105K 2125	N937L16612
C0E9	141L06905	C-CERAMIC-CHIP	GRM21BB11C105KC01L	B 16V 105K 2125	N937L16612
C0F1	181P80163	C-ELECTROLYTIC-CHIP	UWX1H3R3MCL1GB	50V 3R3M	N931L16414
C0F2	141L16408	C-CERAMIC-CHIP	GRM188B11A224KA01D	B 10V 224K 1608	N937L05211
C0F3	141L16403	C-CERAMIC-CHIP	GRM188B11C333KA01D	B16V333K1608	N931L16414
C0F4	141L16405	C-CERAMIC-CHIP	GRM188B11C683KA01D	B16V683K1608	N931L16414
C0F5	141L16403	C-CERAMIC-CHIP	GRM188B11C333KA01D	B16V333K1608	N931L16414
C0F6	141L16403	C-CERAMIC-CHIP	GRM188B11C333KA01D	B16V333K1608	N931L16414
C0F7	141L16408	C-CERAMIC-CHIP	GRM188B11A224KA01D	B 10V 224K 1608	N937L05211
C0F8	141L16403	C-CERAMIC-CHIP	GRM188B11C333KA01D	B16V333K1608	N931L16414
C0F9	141L16105	C-CERAMIC-CHIP	GRM188B11H332KA01D	B 50V 332K 1608	N931L16414
C0G1	141L16201	C-CERAMIC-CHIP	GRM188B11H103KA01D	B 50V 103K 1608	N937L05211
C0G2	141L16201	C-CERAMIC-CHIP	GRM188B11H103KA01D	B 50V 103K 1608	N937L05211
C0G3	181P80127	C-ELECTROLYTIC-CHIP	UWX1C101MCL1GB	16V 101M	N937L05211
C0G4	141L16408	C-CERAMIC-CHIP	GRM188B11A224KA01D	B 10V 224K 1608	N937L05211
C0G6	181P80124	C-ELECTROLYTIC-CHIP	UWR1C220MCL1GB	16V 220M	N931L16414
C0G7	141L16201	C-CERAMIC-CHIP	GRM188B11H103KA01D	B 50V 103K 1608	N937L05211
C0G8	141L06301	C-CERAMIC-CHIP	GRM21BB11H683KD01L	B 50V 683K2125	N931L16414
C0G9	141L06301	C-CERAMIC-CHIP	GRM21BB11H683KD01L	B 50V 683K2125	N931L16414
C0H1	181P80123	C-ELECTROLYTIC-CHIP	UWX1C100MCL1GB	16V 100M	N931L16414
C100	172P27099	C-STACKED-METAL	ECHU1C332JX5	16V 332J 2125	N931L16414
C1001	141L16406	C-CERAMIC-CHIP	GRM188B11C104KA01D	B 16V 104K 1608	N937L05211
C1008	141L06907	C-CERAMIC-CHIP	GRM21BB10J106KE01L	B 6.3V 106K2125	N937L05211
C1009	141L06907	C-CERAMIC-CHIP	GRM21BB10J106KE01L	B 6.3V 106K2125	N937L05211

Ref. No.	Parts No.	Parts Name	Note	Spec.	Base Parts No.
C101	141L18501	C-CERAMIC-CHIP	GRM1882C1H471JA01D	CH 50V 471J1608	N937L05211
C1010	141L06907	C-CERAMIC-CHIP	GRM21BB10J106KE01L	B 6.3V 106K2125	N937L05211
C1011	141L06907	C-CERAMIC-CHIP	GRM21BB10J106KE01L	B 6.3V 106K2125	N937L05211
C1012	141L16406	C-CERAMIC-CHIP	GRM188B11C104KA01D	B 16V 104K 1608	N937L05211
C1014	141L16406	C-CERAMIC-CHIP	GRM188B11C104KA01D	B 16V 104K 1608	N937L05211
C1015	141L06907	C-CERAMIC-CHIP	GRM21BB10J106KE01L	B 6.3V 106K2125	N937L05211
C1016	181P80853	C-ELECTROLYTIC-CHIP	EMZA350ADA470MF61G	35V 470M	N937L05211
C1017	141L18203	C-CERAMIC-CHIP	GRM1882C1H330JZ01D	CH 50V 330J1608	N937L05211
C1018	141L18203	C-CERAMIC-CHIP	GRM1882C1H330JZ01D	CH 50V 330J1608	N937L05211
C1019	141L18203	C-CERAMIC-CHIP	GRM1882C1H330JZ01D	CH 50V 330J1608	N937L05211
C102	141L18501	C-CERAMIC-CHIP	GRM1882C1H471JA01D	CH 50V 471J1608	N937L05211
C1020	141L18203	C-CERAMIC-CHIP	GRM1882C1H330JZ01D	CH 50V 330J1608	N937L05211
C1021	141L18203	C-CERAMIC-CHIP	GRM1882C1H330JZ01D	CH 50V 330J1608	N937L05211
C1022	141L18203	C-CERAMIC-CHIP	GRM1882C1H330JZ01D	CH 50V 330J1608	N937L05211
C1023	141L16406	C-CERAMIC-CHIP	GRM188B11C104KA01D	B 16V 104K 1608	N937L05211
C1024	141L16406	C-CERAMIC-CHIP	GRM188B11C104KA01D	B 16V 104K 1608	N937L05211
C1025	141L16406	C-CERAMIC-CHIP	GRM188B11C104KA01D	B 16V 104K 1608	N937L05211
C1026	141L16406	C-CERAMIC-CHIP	GRM188B11C104KA01D	B 16V 104K 1608	N937L05211
C1027	141L18305	C-CERAMIC-CHIP	MCH185A101JK	CH 50V 101J1608	N937L05211
C1028	141L16902	C-CERAMIC-CHIP	C1608JB1A105KT	B10V 105K 1608	N937L05211
C1029	141L18203	C-CERAMIC-CHIP	GRM1882C1H330JZ01D	CH 50V 330J1608	N937L05211
C103	181P73123	C-ELECTROLYTIC-CHIP	RV0-16V100MD55P2U-R2	16V100M 4X5.3	N931L16414
C1030	141L18309	C-CERAMIC-CHIP	CM105CH151J50AT	CH 50V 151J1608	N937L05211
C1031	141L16406	C-CERAMIC-CHIP	GRM188B11C104KA01D	B 16V 104K 1608	N937L05211
C1032	141L16406	C-CERAMIC-CHIP	GRM188B11C104KA01D	B 16V 104K 1608	N937L05211
C1033	141L16406	C-CERAMIC-CHIP	GRM188B11C104KA01D	B 16V 104K 1608	N937L05211
C1034	141L16406	C-CERAMIC-CHIP	GRM188B11C104KA01D	B 16V 104K 1608	N937L05211
C1035	141L16406	C-CERAMIC-CHIP	GRM188B11C104KA01D	B 16V 104K 1608	N937L05211
C1036	141L18407	C-CERAMIC-CHIP	GRM1882C1H331JA01D	CH 50V 331J1608	N937L05211
C1037	141L16106	C-CERAMIC-CHIP	GRM188B11H392KA01D	B 50V 392K 1608	N937L05211
C1038	141L16106	C-CERAMIC-CHIP	GRM188B11H392KA01D	B 50V 392K 1608	N937L05211
C1039	141L18407	C-CERAMIC-CHIP	GRM1882C1H331JA01D	CH 50V 331J1608	N937L05211
C104	181P73123	C-ELECTROLYTIC-CHIP	RV0-16V100MD55P2U-R2	16V100M 4X5.3	N931L16414
C1040	141L16406	C-CERAMIC-CHIP	GRM188B11C104KA01D	B 16V 104K 1608	N937L05211
C1044	141L16406	C-CERAMIC-CHIP	GRM188B11C104KA01D	B 16V 104K 1608	N937L05211
C1045	141L06907	C-CERAMIC-CHIP	GRM21BB10J106KE01L	B 6.3V 106K2125	N937L05211
C1046	141L16406	C-CERAMIC-CHIP	GRM188B11C104KA01D	B 16V 104K 1608	N937L05211
C1047	141L16406	C-CERAMIC-CHIP	GRM188B11C104KA01D	B 16V 104K 1608	N937L05211
C1048	141L16406	C-CERAMIC-CHIP	GRM188B11C104KA01D	B 16V 104K 1608	N937L05211
C105	141L18305	C-CERAMIC-CHIP	MCH185A101JK	CH 50V 101J1608	N937L05211
C1050	141L16406	C-CERAMIC-CHIP	GRM188B11C104KA01D	B 16V 104K 1608	N937L05211
C1051	141L16406	C-CERAMIC-CHIP	GRM188B11C104KA01D	B 16V 104K 1608	N937L05211
C1052	141L06907	C-CERAMIC-CHIP	GRM21BB10J106KE01L	B 6.3V 106K2125	N937L05211
C1053	141L16406	C-CERAMIC-CHIP	GRM188B11C104KA01D	B 16V 104K 1608	N937L05211
C1054	141L16406	C-CERAMIC-CHIP	GRM188B11C104KA01D	B 16V 104K 1608	N937L05211
C1055	141L16406	C-CERAMIC-CHIP	GRM188B11C104KA01D	B 16V 104K 1608	N937L05211
C1056	141L16406	C-CERAMIC-CHIP	GRM188B11C104KA01D	B 16V 104K 1608	N937L05211
C1057	141L18009	C-CERAMIC-CHIP	GRM1882C1H8R0C201D	CH50V 8R0C 1608	N937L05211
C1058	141L18009	C-CERAMIC-CHIP	GRM1882C1H8R0C201D	CH50V 8R0C 1608	N937L05211
C1059	141L16406	C-CERAMIC-CHIP	GRM188B11C104KA01D	B 16V 104K 1608	N937L05211
C106	141L18305	C-CERAMIC-CHIP	MCH185A101JK	CH 50V 101J1608	N937L05211
C1060	141L16406	C-CERAMIC-CHIP	GRM188B11C104KA01D	B 16V 104K 1608	N937L05211
C1061	141L16203	C-CERAMIC-CHIP	GRM188B11H153KA01D	B 50V 153K 1608	N937L05211
C1062	141L16409	C-CERAMIC-CHIP	CM105W5R474K10AT	B 10V 474K 1608	N937L05211
C1063	141L16406	C-CERAMIC-CHIP	GRM188B11C104KA01D	B 16V 104K 1608	N937L05211
C1065	141L18401	C-CERAMIC-CHIP	CM105CH181J50AT	CH 50V 181J1608	N937L05211
C1066	181P02010	C-ELECTROLYTIC-SOL	APXA160ARA390MF60G	16V 390M	N937L05211
C1067	181P02010	C-ELECTROLYTIC-SOL	APXA160ARA390MF60G	16V 390M	N937L05211
C1068	141L16406	C-CERAMIC-CHIP	GRM188B11C104KA01D	B 16V 104K 1608	N937L05211
C1069	141L16406	C-CERAMIC-CHIP	GRM188B11C104KA01D	B 16V 104K 1608	N937L05211
C107	181P73123	C-ELECTROLYTIC-CHIP	RV0-16V100MD55P2U-R2	16V100M 4X5.3	N931L16414
C1070	141L16406	C-CERAMIC-CHIP	GRM188B11C104KA01D	B 16V 104K 1608	N937L05211
C1071	141L16406	C-CERAMIC-CHIP	GRM188B11C104KA01D	B 16V 104K 1608	N937L05211
C1072	141L18403	C-CERAMIC-CHIP	GRM1882C1H221JA01D	CH 50V 221J1608	N937L05211

ELECTRICAL PARTS LIST

Ref. No.	Parts No.	Parts Name	Note	Spec.	Base Parts No.
C1073	141L18403	C-CERAMIC-CHIP	GRM1882C1H221JA01D	CH 50V 221J1608	N937L05211
C1074	141L16201	C-CERAMIC-CHIP	GRM188B11H103KA01D	B 50V 103K 1608	N937L05211
C1075	141L16406	C-CERAMIC-CHIP	GRM188B11C104KA01D	B 16V 104K 1608	N937L05211
C1076	141L16406	C-CERAMIC-CHIP	GRM188B11C104KA01D	B 16V 104K 1608	N937L05211
C1077	141L16406	C-CERAMIC-CHIP	GRM188B11C104KA01D	B 16V 104K 1608	N937L05211
C1078	141L16406	C-CERAMIC-CHIP	GRM188B11C104KA01D	B 16V 104K 1608	N937L05211
C1079	141L16406	C-CERAMIC-CHIP	GRM188B11C104KA01D	B 16V 104K 1608	N937L05211
C1080	141L16406	C-CERAMIC-CHIP	GRM188B11C104KA01D	B 16V 104K 1608	N937L05211
C1081	141L16406	C-CERAMIC-CHIP	GRM188B11C104KA01D	B 16V 104K 1608	N937L05211
C1082	141L16406	C-CERAMIC-CHIP	GRM188B11C104KA01D	B 16V 104K 1608	N937L05211
C1083	141L16406	C-CERAMIC-CHIP	GRM188B11C104KA01D	B 16V 104K 1608	N937L05211
C1084	141L16406	C-CERAMIC-CHIP	GRM188B11C104KA01D	B 16V 104K 1608	N937L05211
C1085	141L16406	C-CERAMIC-CHIP	GRM188B11C104KA01D	B 16V 104K 1608	N937L05211
C1086	141L16406	C-CERAMIC-CHIP	GRM188B11C104KA01D	B 16V 104K 1608	N937L05211
C1087	141L16406	C-CERAMIC-CHIP	GRM188B11C104KA01D	B 16V 104K 1608	N937L05211
C1088	141L16406	C-CERAMIC-CHIP	GRM188B11C104KA01D	B 16V 104K 1608	N937L05211
C1089	141L16406	C-CERAMIC-CHIP	GRM188B11C104KA01D	B 16V 104K 1608	N937L05211
C109	172P21008	C-STACKED-METAL-TAPE	ECQV1H224B46	50V 224J	N937L16414
C1090	141L16406	C-CERAMIC-CHIP	GRM188B11C104KA01D	B 16V 104K 1608	N937L05211
C1091	141L16406	C-CERAMIC-CHIP	GRM188B11C104KA01D	B 16V 104K 1608	N937L05211
C1092	141L16406	C-CERAMIC-CHIP	GRM188B11C104KA01D	B 16V 104K 1608	N937L05211
C1093	141L16406	C-CERAMIC-CHIP	GRM188B11C104KA01D	B 16V 104K 1608	N937L05211
C1094	141L16406	C-CERAMIC-CHIP	GRM188B11C104KA01D	B 16V 104K 1608	N937L05211
C1095	141L16406	C-CERAMIC-CHIP	GRM188B11C104KA01D	B 16V 104K 1608	N937L05211
C1096	141L16406	C-CERAMIC-CHIP	GRM188B11C104KA01D	B 16V 104K 1608	N937L05211
C1097	141L16406	C-CERAMIC-CHIP	GRM188B11C104KA01D	B 16V 104K 1608	N937L05211
C1098	141L16406	C-CERAMIC-CHIP	GRM188B11C104KA01D	B 16V 104K 1608	N937L05211
C1099	141L18005	C-CERAMIC-CHIP	GRM1882C1H4R0CZ01D	CH50V 040C 1608	N937L05211
C1100	141L16902	C-CERAMIC-CHIP	C1608JB1A105KT	B10V 105K 1608	N937L05211
C1104	141L16009	C-CERAMIC-CHIP	GRM188B11H102KA01D	B 50V 102K 1608	N937L05211
C1105	141L16009	C-CERAMIC-CHIP	GRM188B11H102KA01D	B 50V 102K 1608	N937L05211
C1106	141L16009	C-CERAMIC-CHIP	GRM188B11H102KA01D	B 50V 102K 1608	N937L05211
C1107	141L16009	C-CERAMIC-CHIP	GRM188B11H102KA01D	B 50V 102K 1608	N937L05211
C1108	141L16009	C-CERAMIC-CHIP	GRM188B11H102KA01D	B 50V 102K 1608	N937L05211
C1109	141L16009	C-CERAMIC-CHIP	GRM188B11H102KA01D	B 50V 102K 1608	N937L05211
C1110	141L16009	C-CERAMIC-CHIP	GRM188B11H102KA01D	B 50V 102K 1608	N937L05211
C1111	141L16009	C-CERAMIC-CHIP	GRM188B11H102KA01D	B 50V 102K 1608	N937L05211
C1112	141L16406	C-CERAMIC-CHIP	GRM188B11C104KA01D	B 16V 104K 1608	N937L05211
C1113	141L16406	C-CERAMIC-CHIP	GRM188B11C104KA01D	B 16V 104K 1608	N937L05211
C1114	141L16406	C-CERAMIC-CHIP	GRM188B11C104KA01D	B 16V 104K 1608	N937L05211
C1115	141L16406	C-CERAMIC-CHIP	GRM188B11C104KA01D	B 16V 104K 1608	N937L05211
C1116	265P10812	VARIATOR-CHIP	AVR-M1608C270KT2AB		N937L05211
C1121	141L16406	C-CERAMIC-CHIP	GRM188B11C104KA01D	B 16V 104K 1608	N937L05211
C1122	141L06606	C-CERAMIC-CHIP	GRM21BF11E225ZAO1L	F 25V 225Z2125	N937L05211
C1123	141L06907	C-CERAMIC-CHIP	GRM21BB10J106KE01L	B 6.3V 106K2125	N937L05211
C1124	141L16406	C-CERAMIC-CHIP	GRM188B11C104KA01D	B 16V 104K 1608	N937L05211
C1125	141L06907	C-CERAMIC-CHIP	GRM21BB10J106KE01L	B 6.3V 106K2125	N937L05211
C1126	141L16406	C-CERAMIC-CHIP	GRM188B11C104KA01D	B 16V 104K 1608	N937L05211
C1127	141L16406	C-CERAMIC-CHIP	GRM188B11C104KA01D	B 16V 104K 1608	N937L05211
C1128	141L16406	C-CERAMIC-CHIP	GRM188B11C104KA01D	B 16V 104K 1608	N937L05211
C1129	141L16406	C-CERAMIC-CHIP	GRM188B11C104KA01D	B 16V 104K 1608	N937L05211
C1130	141L16406	C-CERAMIC-CHIP	GRM188B11C104KA01D	B 16V 104K 1608	N937L05211
C1131	141L16406	C-CERAMIC-CHIP	GRM188B11C104KA01D	B 16V 104K 1608	N937L05211
C1132	141L16406	C-CERAMIC-CHIP	GRM188B11C104KA01D	B 16V 104K 1608	N937L05211
C1133	141L16406	C-CERAMIC-CHIP	GRM188B11C104KA01D	B 16V 104K 1608	N937L05211
C1135	141L16201	C-CERAMIC-CHIP	GRM188B11H103KA01D	B 50V 103K 1608	N937L05211
C1136	141L18101	C-CERAMIC-CHIP	GRM1882C1H100RZ01D	CH50V100C 1608	N937L05211
C1137	141L16906	C-CERAMIC-CHIP	GRM188B10J225KE01D	B6.3V 225K1608	N937L05211
C1138	141L16406	C-CERAMIC-CHIP	GRM188B11C104KA01D	B 16V 104K 1608	N937L05211
C1139	141L18109	C-CERAMIC-CHIP	GRM1882C1H220JZ01D	CH50V220J 1608	N937L05211
C1140	141L18109	C-CERAMIC-CHIP	GRM1882C1H220JZ01D	CH50V220J 1608	N937L05211
C1141	141L18109	C-CERAMIC-CHIP	GRM1882C1H220JZ01D	CH50V220J 1608	N937L05211
C1142	181P02010	C-ELECTROLYTIC-SOL	APXA160ARA390MF60G	16V 390M	N937L05211
C1143	141L16409	C-CERAMIC-CHIP	CM105W5R474K10AT	B 10V 474K 1608	N937L05211

Ref. No.	Parts No.	Parts Name	Note	Spec.	Base Parts No.
C1144	141L16406	C-CERAMIC-CHIP	GRM188B11C104KA01D	B 16V 104K 1608	N937L05211
C1145	141L18101	C-CERAMIC-CHIP	GRM1882C1H100RZ01D	CH50V100C 1608	N937L05211
C1146	141L16902	C-CERAMIC-CHIP	C1608JB1A105KT	B10V 105K 1608	N937L05211
C1147	141L16406	C-CERAMIC-CHIP	GRM188B11C104KA01D	B 16V 104K 1608	N937L05211
C1148	181P80127	C-ELECTROLYTIC-CHIP	UWX1C101MCL1GB	16V 101M	N937L05211
C1149	141L16406	C-CERAMIC-CHIP	GRM188B11C104KA01D	B 16V 104K 1608	N937L05211
C1150	141L16406	C-CERAMIC-CHIP	GRM188B11C104KA01D	B 16V 104K 1608	N937L05211
C1151	141L16406	C-CERAMIC-CHIP	GRM188B11C104KA01D	B 16V 104K 1608	N937L05211
C1152	141L16009	C-CERAMIC-CHIP	GRM188B11H102KA01D	B 50V 102K 1608	N937L05211
C1153	141L16406	C-CERAMIC-CHIP	GRM188B11C104KA01D	B 16V 104K 1608	N937L05211
C1154	141L18309	C-CERAMIC-CHIP	CM105CH151J50AT	CH 50V 151J1608	N937L05211
C1155	141L18501	C-CERAMIC-CHIP	GRM1882C1H471JA01D	CH 50V 471J1608	N937L05211
C1156	141L18501	C-CERAMIC-CHIP	GRM1882C1H471JA01D	CH 50V 471J1608	N937L05211
C1157	103L29909	R-CHIP	RMC1/16JTP	1/10W 0 1608	N937L05211
C1158	141L16406	C-CERAMIC-CHIP	GRM188B11C104KA01D	B 16V 104K 1608	N937L05211
C1160	141L16406	C-CERAMIC-CHIP	GRM188B11C104KA01D	B 16V 104K 1608	N937L05211
C1161	141L16406	C-CERAMIC-CHIP	GRM188B11C104KA01D	B 16V 104K 1608	N937L05211
C1162	141L16406	C-CERAMIC-CHIP	GRM188B11C104KA01D	B 16V 104K 1608	N937L05211
C1163	141L16408	C-CERAMIC-CHIP	GRM188B11A224KA01D	B 10V 224K 1608	N937L05211
C1164	141L16406	C-CERAMIC-CHIP	GRM188B11C104KA01D	B 16V 104K 1608	N937L05211
C1166	141L16406	C-CERAMIC-CHIP	GRM188B11C104KA01D	B 16V 104K 1608	N937L05211
C1167	141L16406	C-CERAMIC-CHIP	GRM188B11C104KA01D	B 16V 104K 1608	N937L05211
C1170	141L16406	C-CERAMIC-CHIP	GRM188B11C104KA01D	B 16V 104K 1608	N937L05211
C1171	141L16406	C-CERAMIC-CHIP	GRM188B11C104KA01D	B 16V 104K 1608	N937L05211
C1172	141L16406	C-CERAMIC-CHIP	GRM188B11C104KA01D	B 16V 104K 1608	N937L05211
C1173	181P80149	C-ELECTROLYTIC-CHIP	UWX1V4R7MCL1GB	35V 4R7M	N937L05211
C1174	181P80149	C-ELECTROLYTIC-CHIP	UWX1V4R7MCL1GB	35V 4R7M	N937L05211
C1175	141L16406	C-CERAMIC-CHIP	GRM188B11C104KA01D	B 16V 104K 1608	N937L05211
C1176	141L16406	C-CERAMIC-CHIP	GRM188B11C104KA01D	B 16V 104K 1608	N937L05211
C1177	141L16406	C-CERAMIC-CHIP	GRM188B11C104KA01D	B 16V 104K 1608	N937L05211
C1178	141L16406	C-CERAMIC-CHIP	GRM188B11C104KA01D	B 16V 104K 1608	N937L05211
C1179	141L16406	C-CERAMIC-CHIP	GRM188B11C104KA01D	B 16V 104K 1608	N937L05211
C1180	181P80149	C-ELECTROLYTIC-CHIP	UWX1V4R7MCL1GB	35V 4R7M	N937L05211
C1182	181P80149	C-ELECTROLYTIC-CHIP	UWX1V4R7MCL1GB	35V 4R7M	N937L05211
C1184	181P80127	C-ELECTROLYTIC-CHIP	UWX1C101MCL1GB	16V 101M	N937L05211
C1185	141L18203	C-CERAMIC-CHIP	GRM1882C1H330JZ01D	CH 50V 330J1608	N937L05211
C1187	141L18203	C-CERAMIC-CHIP	GRM1882C1H330JZ01D	CH 50V 330J1608	N937L05211
C1188	141L16009	C-CERAMIC-CHIP	GRM188B11H102KA01D	B 50V 102K 1608	N937L05211
C1189	141L16406	C-CERAMIC-CHIP	GRM188B11C104KA01D	B 16V 104K 1608	N937L05211
C1190	141L18305	C-CERAMIC-CHIP	MCH185A101JK	CH 50V 101J1608	N937L05211
C1191	141L18305	C-CERAMIC-CHIP	MCH185A101JK	CH 50V 101J1608	N937L05211
C1192	141L16406	C-CERAMIC-CHIP	GRM188B11C104KA01D	B 16V 104K 1608	N937L05211
C1193	141L06908	C-CERAMIC-CHIP	C2012JB1A335KT	B 10V 335K2125	N937L05211
C1194	172P28024	C-PPS-CHIP	MML-E-2A-154JTF	100V 154J	N937L05211
C1198	141L06606	C-CERAMIC-CHIP	GRM21BF11E225ZAO1L	F 25V 225Z2125	N937L05211
C120	172P27099	C-STACKED-METAL	ECHU1C332JX5	16V 332J 2125	N937L16414
C1200	181P80127	C-ELECTROLYTIC-CHIP	UWX1C101MCL1GB	16V 101M	N937L05211
C1202	141L16308	C-CERAMIC-CHIP	GRM188B11E104KA01D	B 25V 104K 1608	N937L05211
C1203	141L16406	C-CERAMIC-CHIP	GRM188B11C104KA01D	B 16V 104K 1608	N937L05211
C1205	141L16308	C-CERAMIC-CHIP	GRM188B11E104KA01D	B 25V 104K 1608	N937L05211
C1206	141L16406	C-CERAMIC-CHIP	GRM188B11C104KA01D	B 16V 104K 1608	N937L05211
C1207	181P80853	C-ELECTROLYTIC-CHIP	EMZA350ADA470MF61G	35V 470M	N937L05211
C1208	141L16406	C-CERAMIC-CHIP	GRM188B11C104KA01D	B 16V 104K 1608	N937L05211
C1209	141L16406	C-CERAMIC-CHIP	GRM188B11C104KA01D	B 16V 104K 1608	N937L05211
C121	141L18501	C-CERAMIC-CHIP	GRM1882C1H471JA01D	CH 50V 471J1608	N937L05211
C1210	141L16406	C-CERAMIC-CHIP	GRM188B11C104KA01D	B 16V 104K 1608	N937L05211
C1212	141L16107	C-CERAMIC-CHIP	GRM188B11H472KA01D	B 50V 472K 1608	N937L05211
C1213	181P02010	C-ELECTROLYTIC-SOL	APXA160ARA390MF60G	16V 390M	N937L05211
C1214	141L16406	C-CERAMIC-CHIP	GRM188B11C104KA01D	B 16V 104K 1608	N937L05211
C1215	141L18505	C-CERAMIC-CHIP	GRM1882C1E681JA01D	CH 25V 681J1608	N937L05211
C1216	141L16406	C-CERAMIC-CHIP	GRM188B11C104KA01D	B 16V 104K 1608	N937L05211
C1217	141L18305	C-CERAMIC-CHIP	MCH185A101JK	CH 50V 101J1608	N937L05211
C122	141L18501	C-CERAMIC-CHIP	GRM1882C1H471JA01D	CH 50V 471J1608	N937L05211
C1220	141L16902	C-CERAMIC-CHIP	C1608JB1A105KT	B10V 105K 1608	N937L05211

ELECTRICAL PARTS LIST

Ref. No.	Parts No.	Parts Name	Note	Spec.	Base Parts No.
C1221	141L16406	C-CERAMIC-CHIP	GRM188B11C104KA01D	B 16V 104K 1608	N937L05211
C1222	141L06905	C-CERAMIC-CHIP	GRM21BB10J106KE01L	B 6.3V 106K2125	N937L05211
C1223	141L16406	C-CERAMIC-CHIP	GRM188B11C104KA01D	B 16V 104K 1608	N937L05211
C1226	141L16406	C-CERAMIC-CHIP	GRM188B11C104KA01D	B 16V 104K 1608	N937L05211
C1227	141L16406	C-CERAMIC-CHIP	GRM188B11C104KA01D	B 16V 104K 1608	N937L05211
C1228	264P56927	DIODE-ZENER-CHIP	EDZ TE61 18B		N937L05211
C1229	141L16009	C-CERAMIC-CHIP	GRM188B11H102KA01D	B 50V 102K 1608	N937L05211
C123	181P73123	C-ELECTROLYTIC-CHIP	RV0-16V100MD55P2U-R2	16V100M 4X5.3	N931L16414
C124	181P73123	C-ELECTROLYTIC-CHIP	RV0-16V100MD55P2U-R2	16V100M 4X5.3	N931L16414
C125	141L18305	C-CERAMIC-CHIP	MCH185A101JK	CH 50V 101J1608	N937L05211
C126	141L18305	C-CERAMIC-CHIP	MCH185A101JK	CH 50V 101J1608	N937L05211
C127	181P73123	C-ELECTROLYTIC-CHIP	RV0-16V100MD55P2U-R2	16V100M 4X5.3	N931L16414
C129	172P21008	C-STACKED-METAL-TAPE	ECQV1H224B46	50V 224J	N931L16414
C1301	141L16201	C-CERAMIC-CHIP	GRM188B11H103KA01D	B 50V 103K 1608	N937L05211
C1302	141L16201	C-CERAMIC-CHIP	GRM188B11H103KA01D	B 50V 103K 1608	N937L05211
C1303	141L16201	C-CERAMIC-CHIP	GRM188B11H103KA01D	B 50V 103K 1608	N937L05211
C1304	141L16201	C-CERAMIC-CHIP	GRM188B11H103KA01D	B 50V 103K 1608	N937L05211
C1305	141L16201	C-CERAMIC-CHIP	GRM188B11H103KA01D	B 50V 103K 1608	N937L05211
C1306	141L16201	C-CERAMIC-CHIP	GRM188B11H103KA01D	B 50V 103K 1608	N937L05211
C1307	141L16201	C-CERAMIC-CHIP	GRM188B11H103KA01D	B 50V 103K 1608	N937L05211
C141	141L18501	C-CERAMIC-CHIP	GRM1882C1H471JA01D	CH 50V 471J1608	N937L05211
C142	141L18501	C-CERAMIC-CHIP	GRM1882C1H471JA01D	CH 50V 471J1608	N937L05211
C143	181P73123	C-ELECTROLYTIC-CHIP	RV0-16V100MD55P2U-R2	16V100M 4X5.3	N931L16414
C144	181P73123	C-ELECTROLYTIC-CHIP	RV0-16V100MD55P2U-R2	16V100M 4X5.3	N931L16414
C145	141L18305	C-CERAMIC-CHIP	MCH185A101JK	CH 50V 101J1608	N937L05211
C146	141L18305	C-CERAMIC-CHIP	MCH185A101JK	CH 50V 101J1608	N937L05211
C147	181P73123	C-ELECTROLYTIC-CHIP	RV0-16V100MD55P2U-R2	16V100M 4X5.3	N931L16414
C149	172P21008	C-STACKED-METAL-TAPE	ECQV1H224B46	50V 224J	N931L16414
C161	141L18501	C-CERAMIC-CHIP	GRM1882C1H471JA01D	CH 50V 471J1608	N937L05211
C162	141L18501	C-CERAMIC-CHIP	GRM1882C1H471JA01D	CH 50V 471J1608	N937L05211
C163	181P73123	C-ELECTROLYTIC-CHIP	RV0-16V100MD55P2U-R2	16V100M 4X5.3	N931L16414
C164	181P73123	C-ELECTROLYTIC-CHIP	RV0-16V100MD55P2U-R2	16V100M 4X5.3	N931L16414
C165	141L18305	C-CERAMIC-CHIP	MCH185A101JK	CH 50V 101J1608	N937L05211
C166	141L18305	C-CERAMIC-CHIP	MCH185A101JK	CH 50V 101J1608	N937L05211
C167	181P73123	C-ELECTROLYTIC-CHIP	RV0-16V100MD55P2U-R2	16V100M 4X5.3	N931L16414
C169	172P21008	C-STACKED-METAL-TAPE	ECQV1H224B46	50V 224J	N931L16414
C182	181P73126	C-ELECTROLYTIC-CHIP	RV0-16V470MF55P2U-R2	16V470M 6.3X5.3	N931L16414
C183	141L16201	C-CERAMIC-CHIP	GRM188B11H103KA01D	B 50V 103K 1608	N937L05211
C184	181P73111	C-ELECTROLYTIC-CHIP	RV0-10V221MG68P2U-R2	10V221M 8X6.5	N931L16414
C190	181P73127	C-ELECTROLYTIC-CHIP	RV0-16V101MG68P2U-R2	16V101M 8X6.5	N931L16414
C191	141L16406	C-CERAMIC-CHIP	GRM188B11C104KA01D	B 16V 104K 1608	N937L05211
C193	181P74827	C-ELECTROLYTIC	R3A-16V101MGOP2#-T36	16V101M 8X5	N931L16414
C194	141L16201	C-CERAMIC-CHIP	GRM188B11H103KA01D	B 50V 103K 1608	N937L05211
C195	141L18707	C-CERAMIC-CHIP	GRM1882C1H102JA01D	CH 50V 102J1608	N931L16414
C196	181P74827	C-ELECTROLYTIC	R3A-16V101MGOP2#-T36	16V101M 8X5	N931L16414
C197	141L16103	C-CERAMIC-CHIP	GRM188B11H222KA01D	B 50V 222K 1608	N931L16414
C1A1	141L16500	C-CERAMIC-CHIP	GRM188B10J105KC01D	B 6.3V 105K 1608	N937L16612
C1A2	141L16500	C-CERAMIC-CHIP	GRM188B10J105KC01D	B 6.3V 105K 1608	N937L16612
C1A3	141L16107	C-CERAMIC-CHIP	GRM188B11H472KA01D	B 50V 472K 1608	N937L05211
C1A4	181P73110	C-ELECTROLYTIC-CHIP	RV0-10V101MF55P2U-R2	10V101M 6.3X5.3	N931L16414
C1A5	181P73124	C-ELECTROLYTIC-CHIP	RV0-16V220ME55P2U-R2	16V220M 5X5.3	N931L16414
C1A6	141L16107	C-CERAMIC-CHIP	GRM188B11H472KA01D	B 50V 472K 1608	N937L05211
C1A7	181P73110	C-ELECTROLYTIC-CHIP	RV0-10V101MF55P2U-R2	10V101M 6.3X5.3	N931L16414
C1B1	141L06905	C-CERAMIC-CHIP	GRM21BB11C105KC01L	B 16V 105K 2125	N937L16612
C1B2	141L06905	C-CERAMIC-CHIP	GRM21BB11C105KC01L	B 16V 105K 2125	N937L16612
C1B3	141L06905	C-CERAMIC-CHIP	GRM21BB11C105KC01L	B 16V 105K 2125	N937L16612
C1B4	141L18403	C-CERAMIC-CHIP	GRM1882C1H221JA01D	CH 50V 221J1608	N937L05211
C1B5	141L18403	C-CERAMIC-CHIP	GRM1882C1H221JA01D	CH 50V 221J1608	N937L05211
C1B6	141L18403	C-CERAMIC-CHIP	GRM1882C1H221JA01D	CH 50V 221J1608	N937L05211
C1C1	141L06905	C-CERAMIC-CHIP	GRM21BB11C105KC01L	B 16V 105K 2125	N937L16612
C1C2	141L06905	C-CERAMIC-CHIP	GRM21BB11C105KC01L	B 16V 105K 2125	N937L16612
C1C3	141L06905	C-CERAMIC-CHIP	GRM21BB11C105KC01L	B 16V 105K 2125	N937L16612
C1C4	141L18305	C-CERAMIC-CHIP	MCH185A101JK	CH 50V 101J1608	N937L05211
C1C5	141L18305	C-CERAMIC-CHIP	MCH185A101JK	CH 50V 101J1608	N937L05211

Ref. No.	Parts No.	Parts Name	Note	Spec.	Base Parts No.
C1C6	141L18305	C-CERAMIC-CHIP	MCH185A101JK	CH 50V 101J1608	N937L05211
C1D1	141L06905	C-CERAMIC-CHIP	GRM21BB11C105KC01L	B 16V 105K 2125	N937L16612
C1D2	141L06905	C-CERAMIC-CHIP	GRM21BB11C105KC01L	B 16V 105K 2125	N937L16612
C1D3	141L06905	C-CERAMIC-CHIP	GRM21BB11C105KC01L	B 16V 105K 2125	N937L16612
C1D4	141L18505	C-CERAMIC-CHIP	GRM1882C1E681JA01D	CH 25V 681J1608	N937L05211
C1D5	141L18505	C-CERAMIC-CHIP	GRM1882C1E681JA01D	CH 25V 681J1608	N937L05211
C1D6	141L18505	C-CERAMIC-CHIP	GRM1882C1E681JA01D	CH 25V 681J1608	N937L05211
C1G1	181P80149	C-ELECTROLYTIC-CHIP	UWX1V4R7MCL1GB	35V 4R7M	N937L05211
C1G2	181P80149	C-ELECTROLYTIC-CHIP	UWX1V4R7MCL1GB	35V 4R7M	N937L05211
C1G3	141L16005	C-CERAMIC-CHIP	GRM188B11H471KD01D	B 50V 471K 1608	N931L16414
C1G4	141L16005	C-CERAMIC-CHIP	GRM188B11H471KD01D	B 50V 471K 1608	N931L16414
C1G5	141L18707	C-CERAMIC-CHIP	GRM1882C1H102JA01D	CH 50V 102J1608	N931L16414
C1G6	141L18707	C-CERAMIC-CHIP	GRM1882C1H102JA01D	CH 50V 102J1608	N931L16414
C1G7	141L16201	C-CERAMIC-CHIP	GRM188B11H103KA01D	B 50V 103K 1608	N937L05211
C1H0	141L18707	C-CERAMIC-CHIP	GRM1882C1H102JA01D	CH 50V 102J1608	N931L16414
C1H1	141L16201	C-CERAMIC-CHIP	GRM188B11H103KA01D	B 50V 103K 1608	N937L05211
C1K8	181P80125	C-ELECTROLYTIC-CHIP	UWR1C330MCL1GB	16V 330M	N931L16414
C1P1	141L06905	C-CERAMIC-CHIP	GRM21BB11C105KC01L	B 16V 105K 2125	N937L16612
C1P2	181P74826	C-ELECTROLYTIC	R3A-16V470MFOP2#-T36	16V470M 6.3X5	N931L16414
C1P3	172P21102	C-STACKED-METAL-TAPE	ECQV1H105B46	50V 105J	N931L16414
C1P4	141L06905	C-CERAMIC-CHIP	GRM21BB11C105KC01L	B 16V 105K 2125	N937L16612
C201	141L16406	C-CERAMIC-CHIP	GRM188B11C104KA01D	B 16V 104K 1608	N937L05211
C202	141L16406	C-CERAMIC-CHIP	GRM188B11C104KA01D	B 16V 104K 1608	N937L05211
C203	141L16406	C-CERAMIC-CHIP	GRM188B11C104KA01D	B 16V 104K 1608	N937L05211
C204	141L18105	C-CERAMIC-CHIP	GRM1882C1H150JZ01D	CH50V150J 1608	N931L16414
C205	141L18105	C-CERAMIC-CHIP	GRM1882C1H150JZ01D	CH50V150J 1608	N931L16414
C206	141L18305	C-CERAMIC-CHIP	MCH185A101JK	CH 50V 101J1608	N937L05211
C207	141L18305	C-CERAMIC-CHIP	MCH185A101JK	CH 50V 101J1608	N937L05211
C208	141L16303	C-CERAMIC-CHIP	GRM188B11E223KA01D	B 25V 223K 1608	N931L16414
C209	141L16009	C-CERAMIC-CHIP	GRM188B11H102KA01D	B 50V 102K 1608	N937L05211
C210	141L16406	C-CERAMIC-CHIP	GRM188B11C104KA01D	B 16V 104K 1608	N937L05211
C211	141L16406	C-CERAMIC-CHIP	GRM188B11C104KA01D	B 16V 104K 1608	N937L05211
C221	141L16009	C-CERAMIC-CHIP	GRM188B11H102KA01D	B 50V 102K 1608	N937L05211
C222	141L16009	C-CERAMIC-CHIP	GRM188B11H102KA01D	B 50V 102K 1608	N937L05211
C223	141L16009	C-CERAMIC-CHIP	GRM188B11H102KA01D	B 50V 102K 1608	N937L05211
C224	141L06905	C-CERAMIC-CHIP	GRM21BB11C105KC01L	B 16V 105K 2125	N937L16612
C225	141L06905	C-CERAMIC-CHIP	GRM21BB11C105KC01L	B 16V 105K 2125	N937L16612
C247	141L16201	C-CERAMIC-CHIP	GRM188B11H103KA01D	B 50V 103K 1608	N937L05211
C261	141L16201	C-CERAMIC-CHIP	GRM188B11H103KA01D	B 50V 103K 1608	N937L05211
C262	141L16406	C-CERAMIC-CHIP	GRM188B11C104KA01D	B 16V 104K 1608	N937L05211
C263	141L16406	C-CERAMIC-CHIP	GRM188B11C104KA01D	B 16V 104K 1608	N937L05211
C265	141L16201	C-CERAMIC-CHIP	GRM188B11H103KA01D	B 50V 103K 1608	N937L05211
C271	141L16406	C-CERAMIC-CHIP	GRM188B11C104KA01D	B 16V 104K 1608	N937L05211
C272	141L16009	C-CERAMIC-CHIP	GRM188B11H102KA01D	B 50V 102K 1608	N937L05211
C273	181P73123	C-ELECTROLYTIC-CHIP	RV0-16V100MD55P2U-R2	16V100M 4X5.3	N931L16414
C274	141L16406	C-CERAMIC-CHIP	GRM188B11C104KA01D	B 16V 104K 1608	N937L05211
C275	181P73110	C-ELECTROLYTIC-CHIP	RV0-10V101MF55P2U-R2	10V101M 6.3X5.3	N931L16414
C276	141L16406	C-CERAMIC-CHIP	GRM188B11C104KA01D	B 16V 104K 1608	N937L05211
C277	181P73126	C-ELECTROLYTIC-CHIP	RV0-16V470MF55P2U-R2	16V470M 6.3X5.3	N931L16414
C278	189L00704	C-DOUBLE-LAYER-TAPE	FM0H104ZFTP	0.10F 5.5V	N931L16414
C279	181P73110	C-ELECTROLYTIC-CHIP	RV0-10V101MF55P2U-R2	10V101M 6.3X5.3	N931L16414
C280	141L16009	C-CERAMIC-CHIP	GRM188B11H102KA01D	B 50V 102K 1608	N937L05211
C2A1	141L16201	C-CERAMIC-CHIP	GRM188B11H103KA01D	B 50V 103K 1608	N937L05211
C2A2	141L18403	C-CERAMIC-CHIP	GRM1882C1H221JA01D	CH 50V 221J1608	N937L05211
C2A3	141L16201	C-CERAMIC-CHIP	GRM188B11H103KA01D	B 50V 103K 1608	N937L05211
C2A5	141L16406	C-CERAMIC-CHIP	GRM188B11C104KA01D	B 16V 104K 1608	N937L05211
C2A6	141L18305	C-CERAMIC-CHIP	MCH185A101JK	CH 50V 101J1608	N937L05211
C2A7	141L18707	C-CERAMIC-CHIP	GRM1882C1H102JA01D	CH 50V 102J1608	N931L16414
C2A8	141L18403	C-CERAMIC-CHIP	GRM1882C1H221JA01D	CH 50V 221J1608	N937L05211
C2B1	181P75087	C-ELECTROLYTIC	R2W-16V472MI8P#S-T92	16V472M 12.5X35	N931L16314
C2B2	181P80130	C-ELECTROLYTIC-CHIP	UUR1C471MNL6GS	16V 471M	N931L16414
C2B3	172P43100	C-POLYESTER-TAPE	ECQB1H153JA3	50V 153J	N931L16414
C2B4	141L18707	C-CERAMIC-CHIP	GRM1882C1H102JA01D	CH 50V 102J1608	N931L16414
C2B5	141L16201	C-CERAMIC-CHIP	GRM188B11H103KA01D	B 50V 103K 1608	N937L05211

ELECTRICAL PARTS LIST

Ref. No.	Parts No.	Parts Name	Note	Spec.	Base Parts No.
C2F1	181P74823	C-ELECTROLYTIC	R3A-16V100MDOP2#-T36	16V100M 4X5	N937L16414
C2F2	181P74823	C-ELECTROLYTIC	R3A-16V100MDOP2#-T36	16V100M 4X5	N937L16414
C2F3	141L16406	C-CERAMIC-CHIP	GRM188B11C104KA01D	B 16V 104K 1608	N937L05211
C2F4	141L06906	C-CERAMIC-CHIP	GRM21BB11C105KC01L	B 16V 105K 2125	N937L16612
C2F6	141L16406	C-CERAMIC-CHIP	GRM188B11C104KA01D	B 16V 104K 1608	N937L05211
C2F7	172P27052	C-STACKED-METAL	ECHU1H103JX5	50V 103J 3216	N937L16414
C2F8	141L16408	C-CERAMIC-CHIP	GRM188B11A224KA01D	B 10V 224K 1608	N937L05211
C2F9	141L16408	C-CERAMIC-CHIP	GRM188B11A224KA01D	B 10V 224K 1608	N937L05211
C2G0	141L16406	C-CERAMIC-CHIP	GRM188B11C104KA01D	B 16V 104K 1608	N937L05211
C2G1	181P73123	C-ELECTROLYTIC-CHIP	RV0-16V100MD55P2U-R2	16V100M 4X5.3	N937L16414
C2G2	141L18107	C-CERAMIC-CHIP	GRM1882C1H180JZ01D	CH50V180J 1608	N937L16414
C2G3	141L18109	C-CERAMIC-CHIP	GRM1882C1H220JZ01D	CH50V220J 1608	N937L05211
C2G4	141L16406	C-CERAMIC-CHIP	GRM188B11C104KA01D	B 16V 104K 1608	N937L05211
C2G5	141L16406	C-CERAMIC-CHIP	GRM188B11C104KA01D	B 16V 104K 1608	N937L05211
C2G6	141L16406	C-CERAMIC-CHIP	GRM188B11C104KA01D	B 16V 104K 1608	N937L05211
C2G7	181P73123	C-ELECTROLYTIC-CHIP	RV0-16V100MD55P2U-R2	16V100M 4X5.3	N937L16414
C2G8	141L16805	C-CERAMIC-CHIP	CM105B154K16AT-N	B 16V 154K 1608	N937L16414
C2G9	181P74826	C-ELECTROLYTIC	R3A-16V470MFOP2#-T36	16V470M 6.3X5	N937L16414
C2H0	141L16406	C-CERAMIC-CHIP	GRM188B11C104KA01D	B 16V 104K 1608	N937L05211
C2H1	103L19909	R-CHIP	RMC1/10JPATP	1/8W 0 2125	N937L16414
C2H2	103L19909	R-CHIP	RMC1/10JPATP	1/8W 0 2125	N937L16414
C2P2	141L16406	C-CERAMIC-CHIP	GRM188B11C104KA01D	B 16V 104K 1608	N937L05211
C2P4	181P74827	C-ELECTROLYTIC	R3A-16V101MGOP2#-T36	16V101M 8X5	N937L16414
C2P5	141L16201	C-CERAMIC-CHIP	GRM188B11H103KA01D	B 50V 103K 1608	N937L05211
C2P6	141L16201	C-CERAMIC-CHIP	GRM188B11H103KA01D	B 50V 103K 1608	N937L05211
C2P7	181P74827	C-ELECTROLYTIC	R3A-16V101MGOP2#-T36	16V101M 8X5	N937L16414
C2Q1	141L16201	C-CERAMIC-CHIP	GRM188B11H103KA01D	B 50V 103K 1608	N937L05211
C2Q2	181P74810	C-ELECTROLYTIC	R3A-10V101MFOP2#-T36	10V101M 6.3X5	N937L16414
C2Q3	141L16201	C-CERAMIC-CHIP	GRM188B11H103KA01D	B 50V 103K 1608	N937L05211
C2Q4	141L16009	C-CERAMIC-CHIP	GRM188B11H102KA01D	B 50V 102K 1608	N937L05211
C2R1	141L16201	C-CERAMIC-CHIP	GRM188B11H103KA01D	B 50V 103K 1608	N937L05211
C2R2	181P74810	C-ELECTROLYTIC	R3A-10V101MFOP2#-T36	10V101M 6.3X5	N937L16414
C2R3	141L16201	C-CERAMIC-CHIP	GRM188B11H103KA01D	B 50V 103K 1608	N937L05211
C2R4	141L16009	C-CERAMIC-CHIP	GRM188B11H102KA01D	B 50V 102K 1608	N937L05211
C2S3	141L16009	C-CERAMIC-CHIP	GRM188B11H102KA01D	B 50V 102K 1608	N937L05211
C2S4	141L16406	C-CERAMIC-CHIP	GRM188B11C104KA01D	B 16V 104K 1608	N937L05211
C2V0	141L16201	C-CERAMIC-CHIP	GRM188B11H103KA01D	B 50V 103K 1608	N937L05211
C2V1	141L18501	C-CERAMIC-CHIP	GRM1882C1H471JA01D	CH 50V 471J1608	N937L05211
C2V2	141L16009	C-CERAMIC-CHIP	GRM188B11H102KA01D	B 50V 102K 1608	N937L05211
C2W0	181P80123	C-ELECTROLYTIC-CHIP	UVX1C100MCL1GB	16V 100M	N937L16414
C2W1	141L16303	C-CERAMIC-CHIP	GRM188B11E223KA01D	B 25V 223K 1608	N937L16414
C2Y0	141L04907	C-CERAMIC-CHIP	GRM31CB10J106KC01L	B 6.3V 106K3216	N937L16414
C2Z0	141L16406	C-CERAMIC-CHIP	GRM188B11C104KA01D	B 16V 104K 1608	N937L05211
C2Z1	141L16406	C-CERAMIC-CHIP	GRM188B11C104KA01D	B 16V 104K 1608	N937L05211
C2Z4	141L18109	C-CERAMIC-CHIP	GRM1882C1H220JZ01D	CH50V220J 1608	N937L05211
C2Z5	141L18109	C-CERAMIC-CHIP	GRM1882C1H220JZ01D	CH50V220J 1608	N937L05211
C2Z7	141L16406	C-CERAMIC-CHIP	GRM188B11C104KA01D	B 16V 104K 1608	N937L05211
C301	141P15900	C-CERAMIC-CHIP	GRM155B11A104KA01D	B 10V 104K1005	N937L16612
C302	141P15900	C-CERAMIC-CHIP	GRM155B11A104KA01D	B 10V 104K1005	N937L16612
C303	141P15900	C-CERAMIC-CHIP	GRM155B11A104KA01D	B 10V 104K1005	N937L16612
C304	141P15900	C-CERAMIC-CHIP	GRM155B11A104KA01D	B 10V 104K1005	N937L16612
C305	141L06907	C-CERAMIC-CHIP	GRM21BB10J106KE01L	B 6.3V 106K2125	N937L05211
C306	141L06907	C-CERAMIC-CHIP	GRM21BB10J106KE01L	B 6.3V 106K2125	N937L05211
C307	141P15900	C-CERAMIC-CHIP	GRM155B11A104KA01D	B 10V 104K1005	N937L16612
C308	141P15900	C-CERAMIC-CHIP	GRM155B11A104KA01D	B 10V 104K1005	N937L16612
C309	141P15900	C-CERAMIC-CHIP	GRM155B11A104KA01D	B 10V 104K1005	N937L16612
C310	141P15900	C-CERAMIC-CHIP	GRM155B11A104KA01D	B 10V 104K1005	N937L16612
C311	141P15900	C-CERAMIC-CHIP	GRM155B11A104KA01D	B 10V 104K1005	N937L16612
C312	141P15900	C-CERAMIC-CHIP	GRM155B11A104KA01D	B 10V 104K1005	N937L16612
C313	141P15900	C-CERAMIC-CHIP	GRM155B11A104KA01D	B 10V 104K1005	N937L16612
C314	141P15900	C-CERAMIC-CHIP	GRM155B11A104KA01D	B 10V 104K1005	N937L16612
C315	141P15900	C-CERAMIC-CHIP	GRM155B11A104KA01D	B 10V 104K1005	N937L16612
C316	141P15900	C-CERAMIC-CHIP	GRM155B11A104KA01D	B 10V 104K1005	N937L16612
C317	141P15900	C-CERAMIC-CHIP	GRM155B11A104KA01D	B 10V 104K1005	N937L16612

Ref. No.	Parts No.	Parts Name	Note	Spec.	Base Parts No.
C318	141P15900	C-CERAMIC-CHIP	GRM155B11A104KA01D	B 10V 104K1005	N937L16612
C319	141P15900	C-CERAMIC-CHIP	GRM155B11A104KA01D	B 10V 104K1005	N937L16612
C320	141P15900	C-CERAMIC-CHIP	GRM155B11A104KA01D	B 10V 104K1005	N937L16612
C321	141P15900	C-CERAMIC-CHIP	GRM155B11A104KA01D	B 10V 104K1005	N937L16612
C322	141P15900	C-CERAMIC-CHIP	GRM155B11A104KA01D	B 10V 104K1005	N937L16612
C323	141P15900	C-CERAMIC-CHIP	GRM155B11A104KA01D	B 10V 104K1005	N937L16612
C324	141P15900	C-CERAMIC-CHIP	GRM155B11A104KA01D	B 10V 104K1005	N937L16612
C325	141P15900	C-CERAMIC-CHIP	GRM155B11A104KA01D	B 10V 104K1005	N937L16612
C326	141P15900	C-CERAMIC-CHIP	GRM155B11A104KA01D	B 10V 104K1005	N937L16612
C327	141P15900	C-CERAMIC-CHIP	GRM155B11A104KA01D	B 10V 104K1005	N937L16612
C328	141P15900	C-CERAMIC-CHIP	GRM155B11A104KA01D	B 10V 104K1005	N937L16612
C329	141P15900	C-CERAMIC-CHIP	GRM155B11A104KA01D	B 10V 104K1005	N937L16612
C330	141P15900	C-CERAMIC-CHIP	GRM155B11A104KA01D	B 10V 104K1005	N937L16612
C331	141P15900	C-CERAMIC-CHIP	GRM155B11A104KA01D	B 10V 104K1005	N937L16612
C332	141L06907	C-CERAMIC-CHIP	GRM21BB10J106KE01L	B 6.3V 106K2125	N937L05211
C333	141P15900	C-CERAMIC-CHIP	GRM155B11A104KA01D	B 10V 104K1005	N937L16612
C334	141P15900	C-CERAMIC-CHIP	GRM155B11A104KA01D	B 10V 104K1005	N937L16612
C335	141P15900	C-CERAMIC-CHIP	GRM155B11A104KA01D	B 10V 104K1005	N937L16612
C336	141P15900	C-CERAMIC-CHIP	GRM155B11A104KA01D	B 10V 104K1005	N937L16612
C337	141P15900	C-CERAMIC-CHIP	GRM155B11A104KA01D	B 10V 104K1005	N937L16612
C338	141P15900	C-CERAMIC-CHIP	GRM155B11A104KA01D	B 10V 104K1005	N937L16612
C339	141P15900	C-CERAMIC-CHIP	GRM155B11A104KA01D	B 10V 104K1005	N937L16612
C340	141P15900	C-CERAMIC-CHIP	GRM155B11A104KA01D	B 10V 104K1005	N937L16612
C341	141L06907	C-CERAMIC-CHIP	GRM21BB10J106KE01L	B 6.3V 106K2125	N937L05211
C342	141P15900	C-CERAMIC-CHIP	GRM155B11A104KA01D	B 10V 104K1005	N937L16612
C343	141P15900	C-CERAMIC-CHIP	GRM155B11A104KA01D	B 10V 104K1005	N937L16612
C344	141P15900	C-CERAMIC-CHIP	GRM155B11A104KA01D	B 10V 104K1005	N937L16612
C345	141P15900	C-CERAMIC-CHIP	GRM155B11A104KA01D	B 10V 104K1005	N937L16612
C346	141L06907	C-CERAMIC-CHIP	GRM21BB10J106KE01L	B 6.3V 106K2125	N937L05211
C347	141L06907	C-CERAMIC-CHIP	GRM21BB10J106KE01L	B 6.3V 106K2125	N937L05211
C348	141P15301	C-CERAMIC-CHIP	GRM155B11E103KA01D	B 25V 103K1005	N937L16612
C349	141P15900	C-CERAMIC-CHIP	GRM155B11A104KA01D	B 10V 104K1005	N937L16612
C350	141P15900	C-CERAMIC-CHIP	GRM155B11A104KA01D	B 10V 104K1005	N937L16612
C351	141L06907	C-CERAMIC-CHIP	GRM21BB10J106KE01L	B 6.3V 106K2125	N937L05211
C352	141P15900	C-CERAMIC-CHIP	GRM155B11A104KA01D	B 10V 104K1005	N937L16612
C353	141P15900	C-CERAMIC-CHIP	GRM155B11A104KA01D	B 10V 104K1005	N937L16612
C354	141P15900	C-CERAMIC-CHIP	GRM155B11A104KA01D	B 10V 104K1005	N937L16612
C355	141L06907	C-CERAMIC-CHIP	GRM21BB10J106KE01L	B 6.3V 106K2125	N937L05211
C356	141P15900	C-CERAMIC-CHIP	GRM155B11A104KA01D	B 10V 104K1005	N937L16612
C357	141P15900	C-CERAMIC-CHIP	GRM155B11A104KA01D	B 10V 104K1005	N937L16612
C358	141L06907	C-CERAMIC-CHIP	GRM21BB10J106KE01L	B 6.3V 106K2125	N937L05211
C359	141P15900	C-CERAMIC-CHIP	GRM155B11A104KA01D	B 10V 104K1005	N937L16612
C360	141P16109	C-CERAMIC-CHIP	GRM1552C1H220JZ01D	CH 50V 220J1005	N937L16612
C363	141P15900	C-CERAMIC-CHIP	GRM155B11A104KA01D	B 10V 104K1005	N937L16612
C364	141P15900	C-CERAMIC-CHIP	GRM155B11A104KA01D	B 10V 104K1005	N937L16612
C367	141P16006	C-CERAMIC-CHIP	GRM1552C1H5R0CZ01D	CH 50V 050C1005	N937L16612
C368	141P16006	C-CERAMIC-CHIP	GRM1552C1H5R0CZ01D	CH 50V 050C1005	N937L16612
C371	141P15009	C-CERAMIC-CHIP	GRM155B11H102KD01D	B 50V 102K1005	N937L16612
C372	141P16101	C-CERAMIC-CHIP	CM05CH100D50AH	CH 50V 100D1005	N937L16612
C374	141P15900	C-CERAMIC-CHIP	GRM155B11A104KA01D	B 10V 104K1005	N937L16612
C375	141P15900	C-CERAMIC-CHIP	GRM155B11A104KA01D	B 10V 104K1005	N937L16612
C376	141P15900	C-CERAMIC-CHIP	GRM155B11A104KA01D	B 10V 104K1005	N937L16612
C380	141P15900	C-CERAMIC-CHIP	GRM155B11A104KA01D	B 10V 104K1005	N937L16612
C381	141P15900	C-CERAMIC-CHIP	GRM155B11A104KA01D	B 10V 104K1005	N937L16612
C382	141L16500	C-CERAMIC-CHIP	GRM188B10J105KC01D	B6.3V 105K 1608	N937L16612
C388	141P16105	C-CERAMIC-CHIP	GRM1552C1H150JZ01D	CH 50V 150J1005	N937L16612
C389	141P16105	C-CERAMIC-CHIP	GRM1552C1H150JZ01D	CH 50V 150J1005	N937L16612
C392	141P16101	C-CERAMIC-CHIP	CM05CH100D50AH	CH 50V 100D1005	N937L16612
C393	141P16101	C-CERAMIC-CHIP	CM05CH100D50AH	CH 50V 100D1005	N937L16612
C396	103P15909	R-CHIP	RMC1/16SJPTH	1/16W 0 1005	N937L16612
C397	141P16105	C-CERAMIC-CHIP	GRM1552C1H150JZ01D	CH 50V 150J1005	N937L16612
C398	141P16105	C-CERAMIC-CHIP	GRM1552C1H150JZ01D	CH 50V 150J1005	N937L16612
C399	141P15900	C-CERAMIC-CHIP	GRM155B11A104KA01D	B 10V 104K1005	N937L16612
C3C0	141P15900	C-CERAMIC-CHIP	GRM155B11A104KA01D	B 10V 104K1005	N937L16612

ELECTRICAL PARTS LIST

Ref. No.	Parts No.	Parts Name	Note	Spec.	Base Parts No.
C6B0	141L16107	C-CERAMIC-CHIP	GRM188B11H472KA01D	B 50V 472K 1608	N937L05211
C6B1	141L16107	C-CERAMIC-CHIP	GRM188B11H472KA01D	B 50V 472K 1608	N937L05211
C6B2	141L16107	C-CERAMIC-CHIP	GRM188B11H472KA01D	B 50V 472K 1608	N937L05211
C6B3	141L16107	C-CERAMIC-CHIP	GRM188B11H472KA01D	B 50V 472K 1608	N937L05211
C6B4	141L16107	C-CERAMIC-CHIP	GRM188B11H472KA01D	B 50V 472K 1608	N937L05211
C6B5	141L16107	C-CERAMIC-CHIP	GRM188B11H472KA01D	B 50V 472K 1608	N937L05211
C6B6	141L16107	C-CERAMIC-CHIP	GRM188B11H472KA01D	B 50V 472K 1608	N937L05211
C6B7	141L16107	C-CERAMIC-CHIP	GRM188B11H472KA01D	B 50V 472K 1608	N937L05211
C6B8	141L16009	C-CERAMIC-CHIP	GRM188B11H102KA01D	B 50V 102K 1608	N937L05211
C6B9	141L16009	C-CERAMIC-CHIP	GRM188B11H102KA01D	B 50V 102K 1608	N937L05211
C6C0	141L16107	C-CERAMIC-CHIP	GRM188B11H472KA01D	B 50V 472K 1608	N937L05211
C6C1	141L16107	C-CERAMIC-CHIP	GRM188B11H472KA01D	B 50V 472K 1608	N937L05211
C6C2	181P80127	C-ELECTROLYTIC-CHIP	UWX1C101MCL1GB	16V 101M	N937L05211
C6C4	141L16308	C-CERAMIC-CHIP	GRM188B11E104KA01D	B 25V 104K 1608	N937L05211
C6C5	141L16308	C-CERAMIC-CHIP	GRM188B11E104KA01D	B 25V 104K 1608	N937L05211
C6C6	141L16308	C-CERAMIC-CHIP	GRM188B11E104KA01D	B 25V 104K 1608	N937L05211
C6C7	141L16308	C-CERAMIC-CHIP	GRM188B11E104KA01D	B 25V 104K 1608	N937L05211
C6H0	141L04908	C-CERAMIC-CHIP	CM316B226K06AT-N	B 6.3V 226K3216	N937L16612
C6H1	141L06907	C-CERAMIC-CHIP	GRM21BB10J106KE01L	B 6.3V 106K2125	N937L05211
C6H2	141L06907	C-CERAMIC-CHIP	GRM21BB10J106KE01L	B 6.3V 106K2125	N937L05211
C6H3	141L04304	C-CERAMIC-CHIP	GRM31CR61C475KA45L	B 16V 475K 3216	N937L27117
C6H4	141P15900	C-CERAMIC-CHIP	GRM155B11A104KA01D	B 10V 104K1005	N937L16612
C6H5	141P15900	C-CERAMIC-CHIP	GRM155B11A104KA01D	B 10V 104K1005	N937L16612
C6H7	141L04304	C-CERAMIC-CHIP	GRM31CR61C475KA45L	B 16V 475K 3216	N937L27117
C6H8	141L04304	C-CERAMIC-CHIP	GRM31CR61C475KA45L	B 16V 475K 3216	N937L27117
C6J5	141P15900	C-CERAMIC-CHIP	GRM155B11A104KA01D	B 10V 104K1005	N937L16612
C6J6	141P16703	C-CERAMIC-CHIP	GRM1552C1H561JA01D	CH 50V 561J1005	N937L27117
C6K0	141L04908	C-CERAMIC-CHIP	CM316B226K06AT-N	B 6.3V 226K3216	N937L16612
C6K1	141P15103	C-CERAMIC-CHIP	CM05W5R222K50AH	B 50V 222K1005	N937L27117
C6K2	141P17302	C-CERAMIC-CHIP	EMK325BJ226KM-T	B 16V 226K 3225	N937L27117
C6K3	141L04908	C-CERAMIC-CHIP	CM316B226K06AT-N	B 6.3V 226K3216	N937L16612
C6K5	141L04507	C-CERAMIC-CHIP	GRM31MB11E334KD01L	B 25V 334K 3216	N937L27117
C6K6	141P15900	C-CERAMIC-CHIP	GRM155B11A104KA01D	B 10V 104K1005	N937L16612
C6K7	141P15900	C-CERAMIC-CHIP	GRM155B11A104KA01D	B 10V 104K1005	N937L16612
C6K8	141P15900	C-CERAMIC-CHIP	GRM155B11A104KA01D	B 10V 104K1005	N937L16612
C6K9	141L06907	C-CERAMIC-CHIP	GRM21BB10J106KE01L	B 6.3V 106K2125	N937L05211
C6L2	141P15301	C-CERAMIC-CHIP	GRM155B11E103KA01D	B 25V 103K1005	N937L16612
C6L3	141L16500	C-CERAMIC-CHIP	GRM188B10J105KC01D	B6.3V 105K 1608	N937L16612
C6L6	141P15900	C-CERAMIC-CHIP	GRM155B11A104KA01D	B 10V 104K1005	N937L16612
C6L7	141L06905	C-CERAMIC-CHIP	GRM21BB11C105KC01L	B 16V 105K 2125	N937L16612
C6L8	141P15900	C-CERAMIC-CHIP	GRM155B11A104KA01D	B 10V 104K1005	N937L16612
C6L9	141L06905	C-CERAMIC-CHIP	GRM21BB11C105KC01L	B 16V 105K 2125	N937L16612
C6M5	141P15900	C-CERAMIC-CHIP	GRM155B11A104KA01D	B 10V 104K1005	N937L16612
C6M7	141P15103	C-CERAMIC-CHIP	CM05W5R222K50AH	B 50V 222K1005	N937L27117
C6M8	141L16906	C-CERAMIC-CHIP	GRM188B10J225KE01D	B6.3V 225K1608	N937L05211
C6M9	141L18405	C-CERAMIC-CHIP	GRM1882C1H271JA01D	CH 50V 271J1608	N937L27117
C6N0	141L04304	C-CERAMIC-CHIP	GRM31CR61C475KA45L	B 16V 475K 3216	N937L27117
C6N1	141M02113	C-CERAMIC-CHIP	GRM32DR71E106KA12E	X7S25V106K3225	N937L27117
C6N3	141M02113	C-CERAMIC-CHIP	GRM32DR71E106KA12E	X7S25V106K3225	N937L27117
C6N4	141M02113	C-CERAMIC-CHIP	GRM32DR71E106KA12E	X7S25V106K3225	N937L27117
C6N5	141L16308	C-CERAMIC-CHIP	GRM188B11E104KA01D	B 25V 104K 1608	N937L05211
C6N6	141L06905	C-CERAMIC-CHIP	GRM21BB11C105KC01L	B 16V 105K 2125	N937L16612
C6N7	141L16308	C-CERAMIC-CHIP	GRM188B11E104KA01D	B 25V 104K 1608	N937L05211
C6N8	141L16308	C-CERAMIC-CHIP	GRM188B11E104KA01D	B 25V 104K 1608	N937L05211
C6N9	189P05729	C-ELECTROLYTIC-POL-CHIP	6TPC150M	6.3V 151M	N937L16612
C6P0	189P05729	C-ELECTROLYTIC-POL-CHIP	6TPC150M	6.3V 151M	N937L16612
C6P1	141L06907	C-CERAMIC-CHIP	GRM21BB10J106KE01L	B 6.3V 106K2125	N937L05211
C6P2	141L04908	C-CERAMIC-CHIP	CM316B226K06AT-N	B 6.3V 226K3216	N937L16612
C6P3	141P15900	C-CERAMIC-CHIP	GRM155B11A104KA01D	B 10V 104K1005	N937L16612
C6P4	141L04908	C-CERAMIC-CHIP	CM316B226K06AT-N	B 6.3V 226K3216	N937L16612
C6P5	141P15900	C-CERAMIC-CHIP	GRM155B11A104KA01D	B 10V 104K1005	N937L16612
C6P6	141L06907	C-CERAMIC-CHIP	GRM21BB10J106KE01L	B 6.3V 106K2125	N937L05211
C6P7	141L18501	C-CERAMIC-CHIP	GRM1882C1H471JA01D	CH 50V 471J1608	N937L05211
C6P8	141L18501	C-CERAMIC-CHIP	GRM1882C1H471JA01D	CH 50V 471J1608	N937L05211

Ref. No.	Parts No.	Parts Name	Note	Spec.	Base Parts No.
C6P9	141P16505	C-CERAMIC-CHIP	CM05CH221J25AH	CH 25V 221J1005	N937L27117
C6Q0	141P15009	C-CERAMIC-CHIP	GRM155B11H102KD01D	B 50V 102K1005	N937L16612
C6Q1	141P15009	C-CERAMIC-CHIP	GRM155B11H102KD01D	B 50V 102K1005	N937L16612
C6Q2	141P16505	C-CERAMIC-CHIP	CM05CH221J25AH	CH 25V 221J1005	N937L27117
C6Q3	141P16203	C-CERAMIC-CHIP	GRM1552C1H330JZ01D	CH 50V 330J1005	N937L27117
C6Q4	141P15900	C-CERAMIC-CHIP	GRM155B11A104KA01D	B 10V 104K1005	N937L16612
C6Q5	141P15900	C-CERAMIC-CHIP	GRM155B11A104KA01D	B 10V 104K1005	N937L16612
C6Q6	141P16203	C-CERAMIC-CHIP	GRM1552C1H330JZ01D	CH 50V 330J1005	N937L27117
C6Q7	141P15301	C-CERAMIC-CHIP	GRM155B11E103KA01D	B 25V 103K1005	N937L16612
C6Q8	141M02113	C-CERAMIC-CHIP	GRM32DR71E106KA12E	X7S25V106K3225	N937L27117
C6Q9	141L16308	C-CERAMIC-CHIP	GRM188B11E104KA01D	B 25V 104K 1608	N937L05211
C6S0	141M02113	C-CERAMIC-CHIP	GRM32DR71E106KA12E	X7S25V106K3225	N937L27117
C6S2	141M02113	C-CERAMIC-CHIP	GRM32DR71E106KA12E	X7S25V106K3225	N937L27117
C6S3	141M02113	C-CERAMIC-CHIP	GRM32DR71E106KA12E	X7S25V106K3225	N937L27117
C6S4	141L04304	C-CERAMIC-CHIP	GRM31CR61C475KA45L	B 16V 475K 3216	N937L27117
C6S5	141L06905	C-CERAMIC-CHIP	GRM21BB11C105KC01L	B 16V 105K 2125	N937L16612
C6S6	141L16308	C-CERAMIC-CHIP	GRM188B11E104KA01D	B 25V 104K 1608	N937L05211
C6S7	141L16308	C-CERAMIC-CHIP	GRM188B11E104KA01D	B 25V 104K 1608	N937L05211
C6S8	189P05729	C-ELECTROLYTIC-POL-CHIP	6TPC150M	6.3V 151M	N937L16612
C6S9	189P05742	C-ELECTROLYTIC-POL-CHIP	10TPC68M	10V 680M	N937L27117
C6T0	189P05742	C-ELECTROLYTIC-POL-CHIP	10TPC68M	10V 680M	N937L27117
C6T1	141L04908	C-CERAMIC-CHIP	CM316B226K06AT-N	B 6.3V 226K3216	N937L16612
C6T2	141L16308	C-CERAMIC-CHIP	GRM188B11E104KA01D	B 25V 104K 1608	N937L05211
C6T3	141L04304	C-CERAMIC-CHIP	GRM31CR61C475KA45L	B 16V 475K 3216	N937L27117
C6T4	141P17301	C-CERAMIC-CHIP	CT32B106K16AT	B 16V 106 3225	N937L27117
C6T5	141L06907	C-CERAMIC-CHIP	GRM21BB10J106KE01L	B 6.3V 106K2125	N937L05211
C6T6	141L06800	C-CERAMIC-CHIP	GRM21BB11E104KA01D	B 25V 104K2125	N937L27117
C6T7	141L18501	C-CERAMIC-CHIP	GRM1882C1H471JA01D	CH 50V 471J1608	N937L05211
C6T8	141L18501	C-CERAMIC-CHIP	GRM1882C1H471JA01D	CH 50V 471J1608	N937L05211
C6T9	141P16109	C-CERAMIC-CHIP	GRM1552C1H220JZ01D	CH 50V 220J1005	N937L16612
C6U0	141P15009	C-CERAMIC-CHIP	GRM155B11H102KD01D	B 50V 102K1005	N937L16612
C6U1	141P16505	C-CERAMIC-CHIP	CM05CH221J25AH	CH 25V 221J1005	N937L27117
C6U2	141P15103	C-CERAMIC-CHIP	CM05W5R222K50AH	B 50V 222K1005	N937L27117
C6U3	141P15900	C-CERAMIC-CHIP	GRM155B11A104KA01D	B 10V 104K1005	N937L16612
C6U4	141P16203	C-CERAMIC-CHIP	GRM1552C1H330JZ01D	CH 50V 330J1005	N937L27117
C6U5	141P16203	C-CERAMIC-CHIP	GRM1552C1H330JZ01D	CH 50V 330J1005	N937L27117
C6U6	141P15900	C-CERAMIC-CHIP	GRM155B11A104KA01D	B 10V 104K1005	N937L16612
C6U7	141P15301	C-CERAMIC-CHIP	GRM155B11E103KA01D	B 25V 103K1005	N937L16612
C6V4	141L04908	C-CERAMIC-CHIP	CM316B226K06AT-N	B 6.3V 226K3216	N937L16612
C6V5	141L04908	C-CERAMIC-CHIP	CM316B226K06AT-N	B 6.3V 226K3216	N937L16612
C6V6	141L16500	C-CERAMIC-CHIP	GRM188B10J105KC01D	B6.3V 105K 1608	N937L16612
C6V7	141P16109	C-CERAMIC-CHIP	GRM1552C1H220JZ01D	CH 50V 220J1005	N937L16612
C6V8	172P27046	C-STACKED-METAL	ECHU1H102JX5	50V 102J 2125	N937L27117
C6V9	141L04706	C-CERAMIC-CHIP	GRM31MB11E105KC01L	B 25V 105K 3216	N937L27117
C6X1	141P15005	C-CERAMIC-CHIP	CM05W5R471K50AH	B 50V 471K1005	N937L16612
C6X2	141P16305	C-CERAMIC-CHIP	GRM1552C1H101JZ01D	CH 50V 101J1005	N937L16612
C6X3	141L16107	C-CERAMIC-CHIP	GRM188B11H222KA01D	B 50V 222K 1608	N931L16414
C6X4	141P16709	C-CERAMIC-CHIP	GRM1552C1H102JA01D	CH 50V 102J1005	N937L27117
C6X5	141P16109	C-CERAMIC-CHIP	GRM1552C1H220JZ01D	CH 50V 220J1005	N937L16612
C6X6	181P73110	C-ELECTROLYTIC-CHIP	RV0-10V101MF55P2U-R2	10V101M 6.3X5.3	N931L16414
C6X7	141P18639	C-CERAMIC-CHIP	TMK432C476MMUT	C 25V 476M 4532	N937L27117
C6X9	141L16107	C-CERAMIC-CHIP	GRM188B11H472KA01D	B 50V 472K 1608	N937L05211
C6Y1	141L16107	C-CERAMIC-CHIP	GRM188B11H472KA01D	B 50V 472K 1608	N937L05211
C6Y3	141L16107	C-CERAMIC-CHIP	GRM188B11H472KA01D	B 50V 472K 1608	N937L05211
C6Y5	141L16107	C-CERAMIC-CHIP	GRM188B11H472KA01D	B 50V 472K 1608	N937L05211
C6Y7	141L16107	C-CERAMIC-CHIP	GRM188B11H472KA01D	B 50V 472K 1608	N937L05211
C6Y8	141P15900	C-CERAMIC-CHIP	GRM155B11A104KA01D	B 10V 104K1005	N937L16612
C6Y9	141L18707	C-CERAMIC-CHIP	GRM1882C1H102JA01D	CH 50V 102J1608	N931L16414
C6Z0	141P15900	C-CERAMIC-CHIP	GRM155B11A104KA01D	B 10V 104K1005	N937L16612
C6Z1	141P16203	C-CERAMIC-CHIP	GRM1552C1H330JZ01D	CH 50V 330J1005	N937L27117
C6Z2	141P16203	C-CERAMIC-CHIP	GRM1552C1H330JZ01D	CH 50V 330J1005	N937L27117
C6Z5	141P15900	C-CERAMIC-CHIP	GRM155B11A104KA01D	B 10V 104K1005	N937L16612
C6Z6	141P15900	C-CERAMIC-CHIP	GRM155B11A104KA01D	B 10V 104K1005	N937L16612
C6Z7	141L18707	C-CERAMIC-CHIP	GRM1882C1H102JA01D	CH 50V 102J1608	N931L16414

ELECTRICAL PARTS LIST

Ref. No.	Parts No.	Parts Name	Note	Spec.	Base Parts No.
C6Z8	141L18707	C-CERAMIC-CHIP	GRM1882C1H102JA01D	CH 50V 102J1608	N937L16414
C6Z9	141L18707	C-CERAMIC-CHIP	GRM1882C1H102JA01D	CH 50V 102J1608	N937L16414
C700	141L06907	C-CERAMIC-CHIP	GRM21BB10J106KE01L	B 6.3V 106K2125	N937L05211
C701	141P15900	C-CERAMIC-CHIP	GRM155B11A104KA01D	B 10V 104K1005	N937L16612
C702	141P15900	C-CERAMIC-CHIP	GRM155B11A104KA01D	B 10V 104K1005	N937L16612
C703	141L06907	C-CERAMIC-CHIP	GRM21BB10J106KE01L	B 6.3V 106K2125	N937L05211
C704	141L06907	C-CERAMIC-CHIP	GRM21BB10J106KE01L	B 6.3V 106K2125	N937L05211
C709	141L06302	C-CERAMIC-CHIP	GRM21BB11H104KA11L	B 50V 104K2125	N937L27117
C70M	141L16303	C-CERAMIC-CHIP	GRM188B11E223KA01D	B 25V 223K 1608	N937L16414
C711	141P15900	C-CERAMIC-CHIP	GRM155B11A104KA01D	B 10V 104K1005	N937L16612
C715	141P15900	C-CERAMIC-CHIP	GRM155B11A104KA01D	B 10V 104K1005	N937L16612
C717	141L16308	C-CERAMIC-CHIP	GRM188B11E103KA01D	B 25V 104K 1608	N937L05211
C718	141P15301	C-CERAMIC-CHIP	GRM155B11E103KA01D	B 25V 103K1005	N937L16612
C739	141L16308	C-CERAMIC-CHIP	GRM188B11E104KA01D	B 25V 104K 1608	N937L05211
C769	141L16003	C-CERAMIC-CHIP	GRM188B11H331KD01D	B 50V 331K 1608	N937L27117
C773	141L18707	C-CERAMIC-CHIP	GRM1882C1H102JA01D	CH 50V 102J1608	N937L16414
C774	141L18707	C-CERAMIC-CHIP	GRM1882C1H102JA01D	CH 50V 102J1608	N937L16414
C775	141L18707	C-CERAMIC-CHIP	GRM1882C1H102JA01D	CH 50V 102J1608	N937L16414
C783	141L18707	C-CERAMIC-CHIP	GRM1882C1H102JA01D	CH 50V 102J1608	N937L16414
C784	141L18707	C-CERAMIC-CHIP	GRM1882C1H102JA01D	CH 50V 102J1608	N937L16414
C785	141L18707	C-CERAMIC-CHIP	GRM1882C1H102JA01D	CH 50V 102J1608	N937L16414
C788	141L18707	C-CERAMIC-CHIP	GRM1882C1H102JA01D	CH 50V 102J1608	N937L16414
C794	141L18707	C-CERAMIC-CHIP	GRM1882C1H102JA01D	CH 50V 102J1608	N937L16414
C795	141L18707	C-CERAMIC-CHIP	GRM1882C1H102JA01D	CH 50V 102J1608	N937L16414
C797	141L18707	C-CERAMIC-CHIP	GRM1882C1H102JA01D	CH 50V 102J1608	N937L16414
C7A1	141L18403	C-CERAMIC-CHIP	GRM1882C1H221JA01D	CH 50V 221J1608	N937L05211
C7A2	141L18707	C-CERAMIC-CHIP	GRM1882C1H102JA01D	CH 50V 102J1608	N937L16414
C7B0	141L06703	C-CERAMIC-CHIP	GRM21BR11E105KA99L	R 25V 105K 2125	N937L27117
C7B1	141P15301	C-CERAMIC-CHIP	GRM155B11E103KA01D	B 25V 103K1005	N937L16612
C7B2	141L18707	C-CERAMIC-CHIP	GRM1882C1H102JA01D	CH 50V 102J1608	N937L16414
C7B3	141L16308	C-CERAMIC-CHIP	GRM188B11E104KA01D	B 25V 104K 1608	N937L05211
C7C1	141L18403	C-CERAMIC-CHIP	GRM1882C1H221JA01D	CH 50V 221J1608	N937L05211
C7D1	141L04507	C-CERAMIC-CHIP	GRM31MB11E334KD01L	B 25V 334K 3216	N937L27117
C7D2	141L16308	C-CERAMIC-CHIP	GRM188B11E104KA01D	B 25V 104K 1608	N937L05211
C7D3	141P17301	C-CERAMIC-CHIP	CT32B106K16AT	B 16V 106 3225	N937L27117
C7D6	141L18707	C-CERAMIC-CHIP	GRM1882C1H102JA01D	CH 50V 102J1608	N937L16414
C7E5	141L18403	C-CERAMIC-CHIP	GRM1882C1H221JA01D	CH 50V 221J1608	N937L05211
C7E6	141P17301	C-CERAMIC-CHIP	CT32B106K16AT	B 16V 106 3225	N937L27117
C7G0	141L18707	C-CERAMIC-CHIP	GRM1882C1H102JA01D	CH 50V 102J1608	N937L16414
C7G2	141P15900	C-CERAMIC-CHIP	GRM155B11A104KA01D	B 10V 104K1005	N937L16612
C7G3	141L16308	C-CERAMIC-CHIP	GRM188B11E104KA01D	B 25V 104K 1608	N937L05211
C7G4	141P15301	C-CERAMIC-CHIP	GRM155B11E103KA01D	B 25V 103K1005	N937L16612
C7G9	141P15301	C-CERAMIC-CHIP	GRM155B11E103KA01D	B 25V 103K1005	N937L16612
C7H2	181P74056	C-ELECTROLYTIC	EEUFK1E332(B)	25V 332M	N937L27017
C7H3	181P74056	C-ELECTROLYTIC	EEUFK1E332(B)	25V 332M	N937L27017
C7H6	141L04504	C-CERAMIC-CHIP	GRM319B11H104KA01D	B 50V 104K 3216	N937L27117
C7H7	141L04504	C-CERAMIC-CHIP	GRM319B11H104KA01D	B 50V 104K 3216	N937L27117
C7H8	141L04504	C-CERAMIC-CHIP	GRM319B11H104KA01D	B 50V 104K 3216	N937L27117
C7H9	141L04504	C-CERAMIC-CHIP	GRM319B11H104KA01D	B 50V 104K 3216	N937L27117
C7J0	141L04504	C-CERAMIC-CHIP	GRM319B11H104KA01D	B 50V 104K 3216	N937L27117
C7J1	141L16308	C-CERAMIC-CHIP	GRM188B11E104KA01D	B 25V 104K 1608	N937L05211
C7J2	141P15301	C-CERAMIC-CHIP	GRM155B11E103KA01D	B 25V 103K1005	N937L16612
C7J3	189P01101	C-DOUBLE-LAYER-TAPE	FME0H473ZFTP18	0.047F 5.5V	N937L27017
C7J4	141L04707	C-CERAMIC-CHIP	GRM319R71H334KA01D	X7R 50V334K3216	N937L27117
C7J5	141L06907	C-CERAMIC-CHIP	GRM21BB10J106KE01L	B 6.3V 106K2125	N937L05211
C7J6	141P15900	C-CERAMIC-CHIP	GRM155B11A104KA01D	B 10V 104K1005	N937L16612
C7J7	181P80195	C-ELECTROLYTIC-CHIP	UWR0J221MCL1GB	6.3V 221M	N937L16612
C7J8	141L06302	C-CERAMIC-CHIP	GRM21BB11H104KA11L	B 50V 104K2125	N937L27117
C7J9	141P15900	C-CERAMIC-CHIP	GRM155B11A104KA01D	B 10V 104K1005	N937L16612
C7K0	141L06907	C-CERAMIC-CHIP	GRM21BB10J106KE01L	B 6.3V 106K2125	N937L05211
C7K9	141P15900	C-CERAMIC-CHIP	GRM155B11A104KA01D	B 10V 104K1005	N937L16612
CN1001	452P19350	CONNECTOR	FH12-50S-0.5SV	50P TOP	N937L05211
CN1003	452P35198	CONNECTOR-TAPE	9632S-08Y933	8P SIDE	N937L05211
CN1004	452P35198	CONNECTOR-TAPE	9632S-08Y933	8P SIDE	N937L05211

Ref. No.	Parts No.	Parts Name	Note	Spec.	Base Parts No.
CN1005	452P31698	CONNECTOR-TAPE	SFW8R-1STGE1LF	8PIN SIDE	N937L05211
CN1006	452P29410	CONNECTOR-TAPE	SM02B-BHSS-1-TB(LF)(SN)	2P SIDE F3.5	N937L05211
CN1007	452P34732	CONNECTOR-TAPE	9632S-32Y934	32P SIDE	N937L05211
CN1008	452P35120	CONNECTOR-TAPE	9632S-20Y933	20P SIDE	N937L05211
CN1301	452P35098	CONNECTOR-TAPE	9639S-08Y982	8P TOP	N937L05211
CN1302	452P35098	CONNECTOR-TAPE	9639S-08Y982	8P TOP	N937L05211
CN1303	452P35198	CONNECTOR-TAPE	9632S-08Y933	8P SIDE	N937L05211
CN1305	452P35098	CONNECTOR-TAPE	9639S-08Y982	8P TOP	N937L05211
COG5	141L16009	C-CERAMIC-CHIP	GRM188B11H102KA01D	B 50V 102K 1608	N937L05211
D01P	264P66210	DIODE-LE	TLSV1060(T18,MBS-S		N937L05211
D02P	264P66210	DIODE-LE	TLSV1060(T18,MBS-S		N937L05211
D05P	264P66210	DIODE-LE	TLSV1060(T18,MBS-S		N937L05211
D06P	264P66210	DIODE-LE	TLSV1060(T18,MBS-S		N937L05211
D07P	264P66210	DIODE-LE	TLSV1060(T18,MBS-S		N937L05211
D090	264P58409	DIODE-ZENER-CHIP	MA8091L-L-TX		N937L16414
D1001	264P56004	DIODE-ZENER-CHIP	UDZS-TE-17 6.8B		N937L05211
D1002	264P56004	DIODE-ZENER-CHIP	UDZS-TE-17 6.8B		N937L05211
D1004	264P56810	DIODE-ZENER-TAPE	UMZ6.8ENTR		N937L05211
D1005	264P69010	DIODE-CHIP	M1FM3-6063		N937L05211
D1006	264P69010	DIODE-CHIP	M1FM3-6063		N937L05211
D1007	264P52101	DIODE-CHIP	DAN217 HRAT146		N937L05211
D1010	264P64211	DIODE-CHIP	RB521S-30		N937L05211
D1011	264P64210	DIODE-CHIP	RB520S-30		N937L05211
D1012	264P68910	DIODE-CHIP	MA3X71600L		N937L05211
D1013	264P56001	DIODE-ZENER-CHIP	UDZS-TE-17 5.1B		N937L05211
D1014	264P56004	DIODE-ZENER-CHIP	UDZS-TE-17 6.8B		N937L05211
D1015	264P56004	DIODE-ZENER-CHIP	UDZS-TE-17 6.8B		N937L05211
D1016	264P56004	DIODE-ZENER-CHIP	UDZS-TE-17 6.8B		N937L05211
D1017	264P56004	DIODE-ZENER-CHIP	UDZS-TE-17 6.8B		N937L05211
D1018	264P56004	DIODE-ZENER-CHIP	UDZS-TE-17 6.8B		N937L05211
D1019	264L06001	DIODE-CHIP	1SS355 FNTE-17		N937L05211
D1020	264L06001	DIODE-CHIP	1SS355 FNTE-17		N937L05211
D1021	264P56004	DIODE-ZENER-CHIP	UDZS-TE-17 6.8B		N937L05211
D1022	264P56004	DIODE-ZENER-CHIP	UDZS-TE-17 6.8B		N937L05211
D1023	264L06001	DIODE-CHIP	1SS355 FNTE-17		N937L05211
D1024	264L06001	DIODE-CHIP	1SS355 FNTE-17		N937L05211
D1025	264P69010	DIODE-CHIP	M1FM3-6063		N937L05211
D1026	264P56004	DIODE-ZENER-CHIP	UDZS-TE-17 6.8B		N937L05211
D1027	264P56004	DIODE-ZENER-CHIP	UDZS-TE-17 6.8B		N937L05211
D1028	264P56004	DIODE-ZENER-CHIP	UDZS-TE-17 6.8B		N937L05211
D1029	264P56004	DIODE-ZENER-CHIP	UDZS-TE-17 6.8B		N937L05211
D1030	264L06001	DIODE-CHIP	1SS355 FNTE-17		N937L05211
D1031	264L06001	DIODE-CHIP	1SS355 FNTE-17		N937L05211
D1032	264P56004	DIODE-ZENER-CHIP	UDZS-TE-17 6.8B		N937L05211
D1301	264P66210	DIODE-LE	TLSV1060(T18,MBS-S		N937L05211
D1302	264P66210	DIODE-LE	TLSV1060(T18,MBS-S		N937L05211
D1303	264P66210	DIODE-LE	TLSV1060(T18,MBS-S		N937L05211
D1304	264P66210	DIODE-LE	TLSV1060(T18,MBS-S		N937L05211
D1305	264P66210	DIODE-LE	TLSV1060(T18,MBS-S		N937L05211
D1306	264P66210	DIODE-LE	TLSV1060(T18,MBS-S		N937L05211
D1307	264P66210	DIODE-LE	TLSV1060(T18,MBS-S		N937L05211
D1308	264P66210	DIODE-LE	TLSV1060(T18,MBS-S		N937L05211
D1309	264P66210	DIODE-LE	TLSV1060(T18,MBS-S		N937L05211
D1310	264P66210	DIODE-LE	TLSV1060(T18,MBS-S		N937L05211
D1311	264P66210	DIODE-LE	TLSV1060(T18,MBS-S		N937L05211
D1312	264P66210	DIODE-LE	TLSV1060(T18,MBS-S		N937L05211
D1313	264P66210	DIODE-LE	TLSV1060(T18,MBS-S		N937L05211
D1314	264P66210	DIODE-LE	TLSV1060(T18,MBS-S		N937L05211
D1315	264P66210	DIODE-LE	TLSV1060(T18,MBS-S		N937L05211
D1316	264P66210	DIODE-LE	TLSV1060(T18,MBS-S		N937L05211
D1317	264P66210	DIODE-LE	TLSV1060(T18,MBS-S		N937L05211
D1318	264P66210	DIODE-LE	TLSV1060(T18,MBS-S		N937L05211
D1319	264P66210	DIODE-LE	TLSV1060(T18,MBS-S		N937L05211
D1320	264P66210	DIODE-LE	TLSV1060(T18,MBS-S		N937L05211

ELECTRICAL PARTS LIST

Ref. No.	Parts No.	Parts Name	Note	Spec.	Base Parts No.
D1321	264P66210	DIODE-LE	TLSV1060(T18,MBS-S		N937L05211
D1322	264P66210	DIODE-LE	TLSV1060(T18,MBS-S		N937L05211
D1323	264P56009	DIODE-ZENER-CHIP	UDZS-TE-17 18B		N937L05211
D1324	264P56009	DIODE-ZENER-CHIP	UDZS-TE-17 18B		N937L05211
D1325	264P56009	DIODE-ZENER-CHIP	UDZS-TE-17 18B		N937L05211
D1326	264P56009	DIODE-ZENER-CHIP	UDZS-TE-17 18B		N937L05211
D1327	264P66210	DIODE-LE	TLSV1060(T18,MBS-S		N937L05211
D1328	264P66210	DIODE-LE	TLSV1060(T18,MBS-S		N937L05211
D1329	264P56009	DIODE-ZENER-CHIP	UDZS-TE-17 18B		N937L05211
D1330	264P56009	DIODE-ZENER-CHIP	UDZS-TE-17 18B		N937L05211
D1331	264P66210	DIODE-LE	TLSV1060(T18,MBS-S		N937L05211
D1332	264P66210	DIODE-LE	TLSV1060(T18,MBS-S		N937L05211
D1334	264P66210	DIODE-LE	TLSV1060(T18,MBS-S		N937L05211
D1335	264P56009	DIODE-ZENER-CHIP	UDZS-TE-17 18B		N937L05211
D1336	264P66210	DIODE-LE	TLSV1060(T18,MBS-S		N937L05211
D1338	264P56009	DIODE-ZENER-CHIP	UDZS-TE-17 18B		N937L05211
D1339	264P56009	DIODE-ZENER-CHIP	UDZS-TE-17 18B		N937L05211
D1340	264P56009	DIODE-ZENER-CHIP	UDZS-TE-17 18B		N937L05211
D1341	264P56009	DIODE-ZENER-CHIP	UDZS-TE-17 18B		N937L05211
D1342	264P56009	DIODE-ZENER-CHIP	UDZS-TE-17 18B		N937L05211
D181	264P58301	DIODE-CHIP	MA8051-L-TX		N931L16414
D191	264P58409	DIODE-ZENER-CHIP	MA8091-L-TX		N931L16414
D1G1	264P58806	DIODE-ZENER-CHIP	MA8270-M-TX		N931L16414
D1G2	264P58806	DIODE-ZENER-CHIP	MA8270-M-TX		N931L16414
D1G3	264L06702	DIODE-ZENER-CHIP	MA8056-H(TX)		N931L16414
D1G4	264L06702	DIODE-ZENER-CHIP	MA8056-H(TX)		N931L16414
D1K0	264P61801	DIODE-CHIP	MC2838-T150-1		N931L16414
D202	264P58400	DIODE-ZENER-CHIP	MA8068-L-TX		N931L16414
D203	264L06001	DIODE-CHIP	1SS355 FNTE-17		N937L05211
D221	264P61001	DIODE-CHIP	MC2850-T111-1		N931L16414
D222	264P61001	DIODE-CHIP	MC2850-T111-1		N931L16414
D223	264P61001	DIODE-CHIP	MC2850-T111-1		N931L16414
D250	264L06001	DIODE-CHIP	1SS355 FNTE-17		N937L05211
D271	264P60702	DIODE-CHIP	1SR154-400TE25		N931L16414
D272	264L06702	DIODE-ZENER-CHIP	MA8056-H(TX)		N931L16414
D2A2	264P58806	DIODE-ZENER-CHIP	MA8270-M-TX		N931L16414
D2A4	264P64511	DIODE-CHIP	RR264M-400TR		N937L16612
D2A5	264P58304	DIODE-ZENER-CHIP	MA8056-L-TX		N931L16414
D2A6	264L06001	DIODE-CHIP	1SS355 FNTE-17		N937L05211
D2B1	264P51601	DIODE-CHIP	S3D6600		N931L16414
D2P1	264P58409	DIODE-ZENER-CHIP	MA8091-L-TX		N931L16414
D2V0	264P58503	DIODE-ZENER-CHIP	MA8100-M-TX		N931L16414
D2W0	264P58500	DIODE-ZENER-CHIP	MA8091-M-TX		N931L16414
D530	264P64511	DIODE-CHIP	RR264M-400TR		N937L16612
D531	264P62210	DIODE	RB161L-40-TE25		N937L16612
D533	S740P10404	DIODE	RB717FT106		N937L16612
D534	S740P10404	DIODE	RB717FT106		N937L16612
D535	S740P10150	DIODE	RB715FT106		N937L16612
D601	264L06001	DIODE-CHIP	1SS355 FNTE-17		N937L05211
D602	264P61001	DIODE-CHIP	MC2850-T111-1		N931L16414
D603	264P61001	DIODE-CHIP	MC2850-T111-1		N931L16414
D610	264P58304	DIODE-ZENER-CHIP	MA8056-L-TX		N931L16414
D611	264P61001	DIODE-CHIP	MC2850-T111-1		N931L16414
D612	264P58304	DIODE-ZENER-CHIP	MA8056-L-TX		N931L16414
D613	264P61001	DIODE-CHIP	MC2850-T111-1		N931L16414
D614	264P61001	DIODE-CHIP	MC2850-T111-1		N931L16414
D615	264P61001	DIODE-CHIP	MC2850-T111-1		N931L16414
D616	264P58304	DIODE-ZENER-CHIP	MA8056-L-TX		N931L16414
D617	264P58304	DIODE-ZENER-CHIP	MA8056-L-TX		N931L16414
D624	264P58304	DIODE-ZENER-CHIP	MA8056-L-TX		N931L16414
D625	264P58304	DIODE-ZENER-CHIP	MA8056-L-TX		N931L16414
D626	264P58304	DIODE-ZENER-CHIP	MA8056-L-TX		N931L16414
D627	264P58304	DIODE-ZENER-CHIP	MA8056-L-TX		N931L16414
D628	264P58304	DIODE-ZENER-CHIP	MA8056-L-TX		N931L16414

Ref. No.	Parts No.	Parts Name	Note	Spec.	Base Parts No.
D630	264P64511	DIODE-CHIP	RR264M-400TR		N937L16612
D641	264P64511	DIODE-CHIP	RR264M-400TR		N937L16612
D642	264P64511	DIODE-CHIP	RR264M-400TR		N937L16612
D643	264L06001	DIODE-CHIP	1SS355 FNTE-17		N937L05211
D671	264P66510	DIODE-CHIP	RB160M-60TR	1A	N937L27117
D672	264P66510	DIODE-CHIP	RB160M-60TR	1A	N937L27117
D673	264L06001	DIODE-CHIP	1SS355 FNTE-17		N937L05211
D674	264L06001	DIODE-CHIP	1SS355 FNTE-17		N937L05211
D675	264P62510	DIODE-CHIP	RB050L-40TE25		N937L27117
D676	264P62510	DIODE-CHIP	RB050L-40TE25		N937L27117
D677	264P66510	DIODE-CHIP	RB160M-60TR	1A	N937L27117
D678	264P66510	DIODE-CHIP	RB160M-60TR	1A	N937L27117
D679	264L06001	DIODE-CHIP	1SS355 FNTE-17		N937L05211
D680	264L06001	DIODE-CHIP	1SS355 FNTE-17		N937L05211
D681	264P62510	DIODE-CHIP	RB050L-40TE25		N937L27117
D682	264P62510	DIODE-CHIP	RB050L-40TE25		N937L27117
D700	264L06001	DIODE-CHIP	1SS355 FNTE-17		N937L05211
D704	264P61001	DIODE-CHIP	MC2850-T111-1		N931L16414
D705	264P64511	DIODE-CHIP	RR264M-400TR		N937L16612
D70M	264L06001	DIODE-CHIP	1SS355 FNTE-17		N937L05211
D710	264P61802	DIODE-CHIP	MC2848-T150-1		N937L27117
D711	264P58406	DIODE-ZENER-CHIP	MA8082-L-TX		N937L27117
D712	264P58509	DIODE-CHIP	MA8120-M-TX		N937L27117
D743	264L06001	DIODE-CHIP	1SS355 FNTE-17		N937L05211
D747	264P58704	DIODE-ZENER-CHIP	MA8180-M-TX		N937L27117
D748	264L06001	DIODE-CHIP	1SS355 FNTE-17		N937L05211
D749	264L06001	DIODE-CHIP	1SS355 FNTE-17		N937L05211
D750	264L06001	DIODE-CHIP	1SS355 FNTE-17		N937L05211
D751	264P58704	DIODE-ZENER-CHIP	MA8180-M-TX		N937L27117
D753	264L06001	DIODE-CHIP	1SS355 FNTE-17		N937L05211
D755	264L06001	DIODE-CHIP	1SS355 FNTE-17		N937L05211
D756	264L06001	DIODE-CHIP	1SS355 FNTE-17		N937L05211
D758	264P58704	DIODE-ZENER-CHIP	MA8180-M-TX		N937L27117
D759	264P58704	DIODE-ZENER-CHIP	MA8180-M-TX		N937L27117
D760	264P58704	DIODE-ZENER-CHIP	MA8180-M-TX		N937L27117
D761	264P58704	DIODE-ZENER-CHIP	MA8180-M-TX		N937L27117
D762	264P58704	DIODE-ZENER-CHIP	MA8180-M-TX		N937L27117
D763	264P58704	DIODE-ZENER-CHIP	MA8180-M-TX		N937L27117
D764	264P58704	DIODE-ZENER-CHIP	MA8180-M-TX		N937L27117
D765	264P58704	DIODE-ZENER-CHIP	MA8180-M-TX		N937L27117
D770	264L06001	DIODE-CHIP	1SS355 FNTE-17		N937L05211
D780	264P64511	DIODE-CHIP	RR264M-400TR		N937L16612
D783	264L06001	DIODE-CHIP	1SS355 FNTE-17		N937L05211
D790	264P61001	DIODE-CHIP	MC2850-T111-1		N931L16414
D7A3	264P63110	DIODE-CHIP	DE5LC20U		N937L27117
D7A4	264P63110	DIODE-CHIP	DE5LC20U		N937L27117
D7A5	264P58704	DIODE-ZENER-CHIP	MA8180-M-TX		N937L27117
D7A6	264P58704	DIODE-ZENER-CHIP	MA8180-M-TX		N937L27117
D7A7	264P56510	DIODE-ZENER-CHIP	Z5W27VJ/P	5W 27V	N937L27117
D7A8	264P64511	DIODE-CHIP	RR264M-400TR		N937L16612
D7A9	264P64511	DIODE-CHIP	RR264M-400TR		N937L16612
F002	284P01401	FILTER-CHIP	GFWB1	FILTER-FM	N931L16414
F1001	299P13706	PROTECTOR-CHIP	ICP-S2.3TN		N937L05211
F1002	299P13706	PROTECTOR-CHIP	ICP-S2.3TN		N937L05211
F1003	299P13706	PROTECTOR-CHIP	ICP-S2.3TN		N937L05211
FB1001	351P16613	COIL-CHIP	MPZ1608S221AT		N937L05211
FB1002	351P16613	COIL-CHIP	MPZ1608S221AT		N937L05211
FB1003	351P16613	COIL-CHIP	MPZ1608S221AT		N937L05211
FB1004	351P16613	COIL-CHIP	MPZ1608S221AT		N937L05211
FB1005	351P16613	COIL-CHIP	MPZ1608S221AT		N937L05211
FB1006	351P16613	COIL-CHIP	MPZ1608S221AT		N937L05211
FB1007	351P16613	COIL-CHIP	MPZ1608S221AT		N937L05211
FB1008	351P16613	COIL-CHIP	MPZ1608S221AT		N937L05211
FB1009	351P16613	COIL-CHIP	MPZ1608S221AT		N937L05211

ELECTRICAL PARTS LIST

Ref. No.	Parts No.	Parts Name	Note	Spec.	Base Parts No.
FB1010	351P16613	COIL-CHIP	MPZ1608S221AT		N937L05211
FB1011	351P16613	COIL-CHIP	MPZ1608S221AT		N937L05211
FB1012	351P16613	COIL-CHIP	MPZ1608S221AT		N937L05211
FB1013	351P16613	COIL-CHIP	MPZ1608S221AT		N937L05211
FB1014	409P05110	LC-MULTIPLE-CHIP	MEM2012T10R0T	CUT OFF 10MHZ	N937L05211
FB1015	351P16613	COIL-CHIP	MPZ1608S221AT		N937L05211
FB1016	409P05110	LC-MULTIPLE-CHIP	MEM2012T10R0T	CUT OFF 10MHZ	N937L05211
FB1017	351P16613	COIL-CHIP	MPZ1608S221AT		N937L05211
FB1018	351P16613	COIL-CHIP	MPZ1608S221AT		N937L05211
FB1019	351P16613	COIL-CHIP	MPZ1608S221AT		N937L05211
FB1020	351P12420	COIL-CHIP	FBMH2016HM251NT	HM251 2016	N937L05211
FE0D1	295P21631	TUNER	MX-A196FM2	NAS	N931L16314
G1002	443P01013	TERMINAL	SD01218-21	5P	N937L05211
G1003	443P01013	TERMINAL	SD01218-21	5P	N937L05211
G1004	443P01013	TERMINAL	SD01218-21	5P	N937L05211
G1009	442P01510	TERMINAL	OG-603060		N937L05211
GPS2Z0	927L98911	GPSRF-N			N931L16314
H-ANT01	594L36212	HOLDER-CON2		SPT E T0.3	N931L16314
H-ANT02	591K61311	HOLDER-ANT			N931L16314
HCON2A1	593L75510	HOLDER-CON			N931L16314
H-GPS01	593L67810	HOLDER-CN1			N931L16314
HICP1	593L75610	HOLDER-IC			N931L16314
HTR191	593L34010	HOLDER-TR			N931L16314
HTR2P1	593L34010	HOLDER-TR			N931L16314
HTR2V3	593L34010	HOLDER-TR			N931L16314
H-TUN01	591K61410	COVER-TUNER			N931L16314
IC0F1	266L06701	IC-TAPE	HA12181FP-EL		N931L16414
IC100	266P51102	IC-TAPE	NJM4580E	EMP 8P	N931L16414
IC1001	262P55811	IC-TRAY	TC90A64AFG(PD_BS_L)		N937L05211
IC1002	266L06802	IC	BA9743AFV-E2	SW REG	N937L05211
IC1003	262P15413	IC-TAPE	TC7SH08FU-TE85L_JF	1G 2IN-AND	N937L05211
IC1004	262P09211	IC-TAPE	BR24L04FV-W	4KBIT EEPROM	N937L05211
IC1005	263L05004	IC-TAPE	HA16117FPBJ	RESET WATCH DOG	N937L05211
IC1006	266P67210	IC-TAPE	NJM2886DL3-33		N937L05211
IC1007	262P50161	IC	M30621M8A-HD4GP	U-COM	N937L05211
IC1008	263P08010	IC-TAPE	SN74AHCT125PWR	3-STATE BUFFER	N937L05211
IC1009	266L06506	IC-TAPE	NJM4580V		N937L05211
IC1010	266P71710	IC-TAPE	LMH6644MTX/NOPB	4CH OP AMP	N937L05211
IC1011	266P64710	IC-TAPE	NJM2880U1-25(TE1)	2.5V REG. IC	N937L05211
IC1012	263P17501	IC-TRAY	LZ9GJ24		N937L05211
IC1013	266L06802	IC	BA9743AFV-E2	SW REG	N937L05211
IC1015	262P15610	IC-TAPE	BD9781HFP		N937L05211
IC1016	262P15710	IC-TAPE	TC7MH273FK(TB_EL)	D-F/F	N937L05211
IC1017	266L06505	IC-TAPE	NJM2115V-TE1		N937L05211
IC120	266P51102	IC-TAPE	NJM4580E	EMP 8P	N931L16414
IC1A1	266L06901	IC-TAPE	BA3131FS-E2	SWITCHED OPEAMP	N931L16414
IC1G1	266P66310	IC-TAPE	HA12240FPEL-E		N931L16414
IC1P1	266P61210	IC-MAG	TDA7386	4CH*40W	N931L16314
IC201	262P59637	IC-TRAY	UPD703270YGC-341-8EA-A	LQFP 100P	N931L16414
IC261	263P05229	IC-TAPE	PST-3429	CMOS RESET	N931L16414
IC263	262P14510	IC-TAPE	TC7WH125FU-TE12L_F	DUAL BUS BUFFER	N937L16612
IC265	263L08105	IC-TAPE	BR24L02F-WE2	EEPROM	N931L16414
IC271	262P08911	IC-TAPE	BD3940FP-E2		N931L16414
IC2A1	263P97911	IC-TAPE	PST3630NR	RESET	N931L16414
IC2F1	263P08811	IC-TARY	AK7744XR		N931L16414
IC2Q1	266P59010	IC-TAPE	LF33AB-DT-TR	DPAK	N931L16414
IC2R1	266P59010	IC-TAPE	LF33AB-DT-TR	DPAK	N931L16414
IC2W0	266L06702	IC-TAPE	BA6920FP-Y		N931L16414
IC300	262P51612	IC-TRAY	R8A77700BDA01BGV	SH7770 VER.B	N937L16612
IC312	262P15413	IC-TAPE	TC7SH08FU-TE85L_JF	1G 2IN-AND	N937L05211
IC313	262P15411	IC-TAPE	TC7SH02FU-TE85L_JF	1G 2IN-NOR	N937L16612
IC314	262P15415	IC-TAPE	TC7SH32FU-TE85L_JF	1G 2IN-OR	N937L16612
IC316	262P10110	IC-TAPE	TC7WH14FU(TE12L_F)	SSOP8-P	N937L16612
IC351	262P15413	IC-TAPE	TC7SH08FU-TE85L_JF	1G 2IN-AND	N937L05211

Ref. No.	Parts No.	Parts Name	Note	Spec.	Base Parts No.
IC352	263P07010	IC-TAPE	SN74LVC1G3157DCK3		N937L16612
IC353	262P14310	IC-TAPE	TC7WHU04FU-TE12L_F_BR_SB_FREE	TRIPLE INVERTER	N937L16612
IC370	262P55616	IC-TRAY	EDD2516KCTA-7A60-E	256MB DDR_SDRAM	N937L16612
IC371	262P55616	IC-TRAY	EDD2516KCTA-7A60-E	256MB DDR_SDRAM	N937L16612
IC372	262P55616	IC-TRAY	EDD2516KCTA-7A60-E	256MB DDR_SDRAM	N937L16612
IC373	262P55616	IC-TRAY	EDD2516KCTA-7A60-E	256MB DDR_SDRAM	N937L16612
IC374	263P07310	IC-TAPE	SN74LVC1G07DCKR	BUFFER	N937L16612
IC375	262P15410	IC-TAPE	TC7SH00FU-TE85L_JF	1G 2IN-NAND	N937L16612
IC401	937L17910	ASSY-ROM			N937L16612
IC430	262P06610	IC	SN74AVC16245DGGR		N937L16612
IC431	263P09811	IC-TRAY	D610A003BPYP225	DSP	N937L16612
IC432	262P15414	IC-TAPE	TC7SH14FU-TE85L_JF	1G SCHMITT INV	N937L16612
IC433	263P18831	IC-TRAY	HY57V641620FLTP-HI-C	64M-SDRAM	N937L16612
IC434	262P15415	IC-TAPE	TC7SH32FU-TE85L_JF	1G 2IN-OR	N937L16612
IC460	262P07310	IC-TAPE	SN74LVC16245ADGGR		N937L16612
IC461	263P99610	IC-TAPE	SN74LVC244APWR	OCTAL BUFFER	N937L16612
IC462	263P99610	IC-TAPE	SN74LVC244APWR	OCTAL BUFFER	N937L16612
IC463	262P15414	IC-TAPE	TC7SH14FU-TE85L_JF	1G SCHMITT INV	N937L16612
IC480	262P07310	IC-TAPE	SN74LVC16245ADGGR		N937L16612
IC481	262P15414	IC-TAPE	TC7SH14FU-TE85L_JF	1G SCHMITT INV	N937L16612
IC482	262P15415	IC-TAPE	TC7SH32FU-TE85L_JF	1G 2IN-OR	N937L16612
IC483	262P15410	IC-TAPE	TC7SH00FU-TE85L_JF	1G 2IN-NAND	N937L16612
IC484	262P14510	IC-TAPE	TC7WH125FU-TE12L_F	DUAL BUS BUFFER	N937L16612
IC502	263P07510	IC-TAPE	PLL1708DBQR		N937L16612
IC503	263P07010	IC-TAPE	SN74LVC1G3157DCK3		N937L16612
IC504	263P99110	IC-TAPE	SN74AHC74PWR		N937L16612
IC506	263P07010	IC-TAPE	SN74LVC1G3157DCK3		N937L16612
IC510	263P07010	IC-TAPE	SN74LVC1G3157DCK3		N937L16612
IC511	263P07010	IC-TAPE	SN74LVC1G3157DCK3		N937L16612
IC530	262P08510	IC-TAPE	LTC3412EFE#TRA1PBF	REGULATOR 2.5A	N937L16612
IC531	263P23526	IC-TAPE	S-812C26AUA-C2GT2G	REGULATOR 2.6V	N937L16612
IC532	263P97915	IC-TAPE	PST3623NR	RESET	N937L16612
IC533	262P08510	IC-TAPE	LTC3412EFE#TRA1PBF	REGULATOR 2.5A	N937L16612
IC534	262P14410	IC-TAPE	TC7WH74FU-TE12L_F	D-TYPE FLIP	N937L16612
IC535	263P97916	IC-TAPE	PST3628NR	RESET	N937L16612
IC536	266P56310	IC-TAPE	UPC1555G2-E1-A		N937L16612
IC537	262P05510	IC-TAPE	SN74LV4040APWR	BINARY COUNTER	N937L16612
IC538	263P97916	IC-TAPE	PST3628NR	RESET	N937L16612
IC539	262P10110	IC-TAPE	TC7WH14FU(TE12L_F)	SSOP8-P	N937L16612
IC540	262P14410	IC-TAPE	TC7WH74FU-TE12L_F	D-TYPE FLIP	N937L16612
IC542	262P15415	IC-TAPE	TC7SH32FU-TE85L_JF	1G 2IN-OR	N937L16612
IC543	262P15413	IC-TAPE	TC7SH08FU-TE85L_JF	1G 2IN-AND	N937L05211
IC600	263L08100	IC-TAPE	BU1924F-E2	RDS DEMODULATOR	N937L27117
IC601	262P57454	IC-TRAY	M30624MGP-C07GP	U-COM(MASK)	N937L27117
IC602	262P15415	IC-TAPE	TC7SH32FU-TE85L_JF	1G 2IN-OR	N937L16612
IC604	263P98310	IC-TAPE	TC7WT125FU(T2LMBSF)	3STATE BUFFER	N937L27117
IC605	263P07110	IC-TAPE	SN74LVC3G07DCT3	BUFFER	N937L27117
IC610	272P29102	IC-TAPE	NJM2235V(TE1)	3CH VIDEO SW	N937L27117
IC611	272P29102	IC-TAPE	NJM2235V(TE1)	3CH VIDEO SW	N937L27117
IC612	272P29102	IC-TAPE	NJM2235V(TE1)	3CH VIDEO SW	N937L27117
IC613	266L06008	IC-TAPE	NJM2246M	VIDEO SW(W AMP)	N937L27117
IC615	262P15413	IC-TAPE	TC7SH08FU-TE85L_JF	1G 2IN-AND	N937L05211
IC616	262P15413	IC-TAPE	TC7SH08FU-TE85L_JF	1G 2IN-AND	N937L05211
IC620	263P03810	IC-TAPE	PCM1748KE/2KG4		N937L27117
IC621	263L03202	IC-TAPE	TC9260F(EL)		N937L27117
IC622	266P57711	IC-TAPE	AN77L09M-E1		N937L27117
IC623	266P50901	IC-TAPE	NJM78M05DLA		N937L27117
IC624	266L06509	IC-TAPE	NJM4565V-TE1		N937L27117
IC626	266L06509	IC-TAPE	NJM4565V-TE1		N937L27117
IC627	266L06509	IC-TAPE	NJM4565V-TE1		N937L27117
IC630	263P07110	IC-TAPE	SN74LVC3G07DCT3	BUFFER	N937L27117
IC650	263P07110	IC-TAPE	SN74LVC3G07DCT3	BUFFER	N937L27117
IC651	263P07110	IC-TAPE	SN74LVC3G07DCT3	BUFFER	N937L27117
IC663	266P65615	IC	BA08CC0FP-E2	REG_IC 8V/1A	N937L27117

ELECTRICAL PARTS LIST

Ref. No.	Parts No.	Parts Name	Note	Spec.	Base Parts No.
IC664	266L031O5	IC-TAPE	RC78L05UA/NJM78L05UA		N937L27117
IC665	263P07610	IC-TAPE	LTC1861IMS#TRA1PBF		N937L27117
IC667	262P15415	IC-TAPE	TC7SH32FU-TE85L_JF	1G 2IN-OR	N937L16612
IC670	263P07710	IC-TAPE	LTC3707IGN#TRA1PBF		N937L27117
IC671	263P07710	IC-TAPE	LTC3707IGN#TRA1PBF		N937L27117
IC672	263P07310	IC-TAPE	SN74LVC1G07DCKR	BUFFER	N937L16612
IC675	262P08510	IC-TAPE	LTC3412EFE#TRA1PBF	REGULATOR 2.5A	N937L16612
IC676	263P07310	IC-TAPE	SN74LVC1G07DCKR	BUFFER	N937L16612
IC700	263P03810	IC-TAPE	PCM1748KE/2KG4		N937L27117
IC703	262P15415	IC-TAPE	TC7SH32FU-TE85L_JF	1G 2IN-OR	N937L16612
IC705	262P15415	IC-TAPE	TC7SH32FU-TE85L_JF	1G 2IN-OR	N937L16612
IC706	266P61810	IC	NJM2903V(TE1)		N937L27117
IC740	266P62010	IC-MAG	BA00CC0WT	VARIABLE-OUT,1A	N937L27017
IC750	262P15415	IC-TAPE	TC7SH32FU-TE85L_JF	1G 2IN-OR	N937L16612
IC751	266P61810	IC	NJM2903V(TE1)		N937L27117
IC752	266P61810	IC	NJM2903V(TE1)		N937L27117
IC753	262P08910	IC-TAPE	BD3941FP-E2		N937L27117
IC754	263P23534	IC-TAPE	S-812C34AUA-C2OT2G	REGULATOR 3.4V	N937L27117
J1001	451P00810	JACK-TAPE	LGY3319-0111		N937L05211
L001	351P08200	COIL-CHOKE-CHIP	LB2016T4R7M	4R7M	N931L16414
L010	351P08106	COIL-CHOKE-CHIP	LB2016T2R2M	2R2M 2125	N931L16414
L011	351L09007	COIL-CHOKE-CHIP	ELJFAR39MF	R39M	N931L16414
L01C	351P12430	COIL-CHIP	FBMH3216HM501NT	HM501 3216	N937L05211
L01P	351P09602	COIL-CHIP	BK1608TS601-T	TS601 1608	N927L91811
L0D3	351P07204	COIL-CHIP	FBMJ2125HS250NT-T		N931L16414
L0F1	351P08306	COIL-CHOKE-CHIP	LB2016T101K	101K	N931L16414
L0G3	351P09504	COIL-CHOKE-CHIP	BK1608LM252-T		N927L91811
L0G4	351P09504	COIL-CHOKE-CHIP	BK1608LM252-T		N927L91811
L0G5	351P09504	COIL-CHOKE-CHIP	BK1608LM252-T		N927L91811
L0G6	351P09504	COIL-CHOKE-CHIP	BK1608LM252-T		N927L91811
L1001	351P16777	COIL-CHOKE-CHIP	NLFC322519T-470K-PF	47UH	N937L05211
L1002	351P14277	COIL-CHOKE-CHIP	SLF7045T-470MR90-H	47UH	N937L05211
L1003	351P16777	COIL-CHOKE-CHIP	NLFC322519T-470K-PF	47UH	N937L05211
L1004	351P16777	COIL-CHOKE-CHIP	NLFC322519T-470K-PF	47UH	N937L05211
L1005	351P16777	COIL-CHOKE-CHIP	NLFC322519T-470K-PF	47UH	N937L05211
L1006	351P16777	COIL-CHOKE-CHIP	NLFC322519T-470K-PF	47UH	N937L05211
L1007	351P16777	COIL-CHOKE-CHIP	NLFC322519T-470K-PF	47UH	N937L05211
L1008	351P16777	COIL-CHOKE-CHIP	NLFC322519T-470K-PF	47UH	N937L05211
L1009	351P16777	COIL-CHOKE-CHIP	NLFC322519T-470K-PF	47UH	N937L05211
L1010	351P14277	COIL-CHOKE-CHIP	SLF7045T-470MR90-H	47UH	N937L05211
L1011	351P14277	COIL-CHOKE-CHIP	SLF7045T-470MR90-H	47UH	N937L05211
L1012	351P16777	COIL-CHOKE-CHIP	NLFC322519T-470K-PF	47UH	N937L05211
L1013	351P16777	COIL-CHOKE-CHIP	NLFC322519T-470K-PF	47UH	N937L05211
L1014	351P16777	COIL-CHOKE-CHIP	NLFC322519T-470K-PF	47UH	N937L05211
L1015	351P16777	COIL-CHOKE-CHIP	NLFC322519T-470K-PF	47UH	N937L05211
L1016	351P14277	COIL-CHOKE-CHIP	SLF7045T-470MR90-H	47UH	N937L05211
L1017	351P12430	COIL-CHIP	FBMH3216HM501NT	HM501 3216	N937L05211
L1019	351P16777	COIL-CHOKE-CHIP	NLFC322519T-470K-PF	47UH	N937L05211
L1020	351P14277	COIL-CHOKE-CHIP	SLF7045T-470MR90-H	47UH	N937L05211
L1021	351P16777	COIL-CHOKE-CHIP	NLFC322519T-470K-PF	47UH	N937L05211
L1022	351P14277	COIL-CHOKE-CHIP	SLF7045T-470MR90-H	47UH	N937L05211
L1023	351P14862	COIL-CHOKE-CHIP	NLV25T-2R7J-EFD	2.7UF	N937L05211
L1024	351P10298	COIL-CHOKE-CHIP	7B12NA-101M-R	100UH	N937L05211
L1025	351P16777	COIL-CHOKE-CHIP	NLFC322519T-470K-PF	47UH	N937L05211
L1026	351P16777	COIL-CHOKE-CHIP	NLFC322519T-470K-PF	47UH	N937L05211
L1027	351P16410	COIL-CHIP	ACM0706-102-2P-T01		N937L05211
L1028	351P14277	COIL-CHOKE-CHIP	SLF7045T-470MR90-H	47UH	N937L05211
L1029	351P16777	COIL-CHOKE-CHIP	NLFC322519T-470K-PF	47UH	N937L05211
L13P	351P07636	COIL-CHOKE-CHIP	CDRH104RNP-101NC		N927L91811
L15P	351P07636	COIL-CHOKE-CHIP	CDRH104RNP-101NC		N927L91811
L16P	351P09602	COIL-CHIP	BK1608TS601-T	TS601 1608	N927L91811
L17P	351P09504	COIL-CHOKE-CHIP	BK1608LM252-T		N927L91811
L18P	351P09504	COIL-CHOKE-CHIP	BK1608LM252-T		N927L91811
L19P	351P09504	COIL-CHOKE-CHIP	BK1608LM252-T		N927L91811

Ref. No.	Parts No.	Parts Name	Note	Spec.	Base Parts No.
L209	351P09504	COIL-CHOKE-CHIP	BK1608LM252-T		N927L91811
L20P	351P09504	COIL-CHOKE-CHIP	BK1608LM252-T		N927L91811
L21P	351P09504	COIL-CHOKE-CHIP	BK1608LM252-T		N927L91811
L22P	351P09602	COIL-CHIP	BK1608TS601-T	TS601 1608	N927L91811
L23P	351P09504	COIL-CHOKE-CHIP	BK1608LM252-T		N927L91811
L24P	351P09504	COIL-CHOKE-CHIP	BK1608LM252-T		N927L91811
L25P	351P09106	COIL-CHIP	BK1608HS121-T	HS121 1608	N927L91811
L26P	351P09106	COIL-CHIP	BK1608HS121-T	HS121 1608	N927L91811
L271	351P08200	COIL-CHOKE-CHIP	LB2016T4R7M	4R7M	N931L16414
L27P	351P09106	COIL-CHIP	BK1608HS121-T	HS121 1608	N927L91811
L28P	351P09106	COIL-CHIP	BK1608HS121-T	HS121 1608	N927L91811
L29P	351P09106	COIL-CHIP	BK1608HS121-T	HS121 1608	N927L91811
L2A3	351P09504	COIL-CHOKE-CHIP	BK1608LM252-T		N927L91811
L2A4	351P09504	COIL-CHOKE-CHIP	BK1608LM252-T		N927L91811
L2A5	351P09504	COIL-CHOKE-CHIP	BK1608LM252-T		N927L91811
L2A6	351P09504	COIL-CHOKE-CHIP	BK1608LM252-T		N927L91811
L2B1	351P11511	COIL-CHOKE	ALD-16-8	380UH 5A	N931L16314
L2F1	351P12334	COIL	BK1005HM102		N931L16414
L2F2	351P12334	COIL	BK1005HM102		N931L16414
L2F3	351P12334	COIL	BK1005HM102		N931L16414
L2F4	351P12334	COIL	BK1005HM102		N931L16414
L2F5	351P12334	COIL	BK1005HM102		N931L16414
L2F6	351P12334	COIL	BK1005HM102		N931L16414
L2F7	351P12334	COIL	BK1005HM102		N931L16414
L2Q1	351P08200	COIL-CHOKE-CHIP	LB2016T4R7M	4R7M	N931L16414
L2Q3	351P09603	COIL-CHIP	BK1608TS102-T	TS102 1608	N931L16414
L2R1	351P08200	COIL-CHOKE-CHIP	LB2016T4R7M	4R7M	N931L16414
L2R3	351P09603	COIL-CHIP	BK1608TS102-T	TS102 1608	N931L16414
L2Y0	351P09602	COIL-CHIP	BK1608TS601-T	TS601 1608	N927L91811
L2Z3	351P09504	COIL-CHOKE-CHIP	BK1608LM252-T		N927L91811
L2Z4	351P09504	COIL-CHOKE-CHIP	BK1608LM252-T		N927L91811
L301	351P12430	COIL-CHIP	FBMH3216HM501NT	HM501 3216	N937L05211
L302	351P12430	COIL-CHIP	FBMH3216HM501NT	HM501 3216	N937L05211
L303	351P07208	COIL-CHIP	FBMJ4516HS111-T	HS111 4516	N937L16612
L304	351P09602	COIL-CHIP	BK1608TS601-T	TS601 1608	N927L91811
L305	351P09602	COIL-CHIP	BK1608TS601-T	TS601 1608	N927L91811
L30P	351P09106	COIL-CHIP	BK1608HS121-T	HS121 1608	N927L91811
L311	351P09602	COIL-CHIP	BK1608TS601-T	TS601 1608	N927L91811
L350	351P09602	COIL-CHIP	BK1608TS601-T	TS601 1608	N927L91811
L430	351P09602	COIL-CHIP	BK1608TS601-T	TS601 1608	N927L91811
L431	351P09602	COIL-CHIP	BK1608TS601-T	TS601 1608	N927L91811
L432	351P09602	COIL-CHIP	BK1608TS601-T	TS601 1608	N927L91811
L433	351P09602	COIL-CHIP	BK1608TS601-T	TS601 1608	N927L91811
L434	351P09602	COIL-CHIP	BK1608TS601-T	TS601 1608	N927L91811
L435	351P09602	COIL-CHIP	BK1608TS601-T	TS601 1608	N927L91811
L436	351P09602	COIL-CHIP	BK1608TS601-T	TS601 1608	N927L91811
L437	351P09602	COIL-CHIP	BK1608TS601-T	TS601 1608	N927L91811
L438	351P09602	COIL-CHIP	BK1608TS601-T	TS601 1608	N927L91811
L439	351P09602	COIL-CHIP	BK1608TS601-T	TS601 1608	N927L91811
L440	351P09602	COIL-CHIP	BK1608TS601-T	TS601 1608	N927L91811
L441	351P09602	COIL-CHIP	BK1608TS601-T	TS601 1608	N927L91811
L442	351P09602	COIL-CHIP	BK1608TS601-T	TS601 1608	N927L91811
L460	351P09602	COIL-CHIP	BK1608TS601-T	TS601 1608	N927L91811
L461	351P07208	COIL-CHIP	FBMJ4516HS111-T	HS111 4516	N937L16612
L480	351P09602	COIL-CHIP	BK1608TS601-T	TS601 1608	N927L91811
L501	351P09602	COIL-CHIP	BK1608TS601-T	TS601 1608	N927L91811
L502	351P09602	COIL-CHIP	BK1608TS601-T	TS601 1608	N927L91811
L503	351P09602	COIL-CHIP	BK1608TS601-T	TS601 1608	N927L91811
L530	351P10559	COIL-CHOKE-CHIP	7E06NB-1R5M-T		N937L16612
L531	351P07208	COIL-CHIP	FBMJ4516HS111-T	HS111 4516	N937L16612
L532	351P07208	COIL-CHIP	FBMJ4516HS111-T	HS111 4516	N937L16612
L533	351P10559	COIL-CHOKE-CHIP	7E06NB-1R5M-T		N937L16612
L534	351P07208	COIL-CHIP	FBMJ4516HS111-T	HS111 4516	N937L16612
L535	351P07208	COIL-CHIP	FBMJ4516HS111-T	HS111 4516	N937L16612

ELECTRICAL PARTS LIST

Ref. No.	Parts No.	Parts Name	Note	Spec.	Base Parts No.
L551	351P096O2	COIL-CHIP	BK1608TS601-T	TS601 1608	N927L91811
L552	103P52799	R-CHIP	RPC33TOR0	1/3W 0 3225	N937L16612
L553	351P12322	COIL-CHIP	BK1005HS601		N937L16612
L554	351P12322	COIL-CHIP	BK1005HS601		N937L16612
L555	351P12322	COIL-CHIP	BK1005HS601		N937L16612
L556	351P12322	COIL-CHIP	BK1005HS601		N937L16612
L557	103P52799	R-CHIP	RPC33TOR0	1/3W 0 3225	N937L16612
L558	351P12322	COIL-CHIP	BK1005HS601		N937L16612
L559	351P12322	COIL-CHIP	BK1005HS601		N937L16612
L560	351P12322	COIL-CHIP	BK1005HS601		N937L16612
L561	351P12322	COIL-CHIP	BK1005HS601		N937L16612
L562	351P12322	COIL-CHIP	BK1005HS601		N937L16612
L563	351P12322	COIL-CHIP	BK1005HS601		N937L16612
L565	351P12322	COIL-CHIP	BK1005HS601		N937L16612
L569	351P12322	COIL-CHIP	BK1005HS601		N937L16612
L572	351P12322	COIL-CHIP	BK1005HS601		N937L16612
L575	351P12322	COIL-CHIP	BK1005HS601		N937L16612
L576	351P12322	COIL-CHIP	BK1005HS601		N937L16612
L577	351P12322	COIL-CHIP	BK1005HS601		N937L16612
L578	351P12322	COIL-CHIP	BK1005HS601		N937L16612
L580	351P10869	COIL-CHOKE-CHIP	CDH53NP-100LC		N937L16612
L581	351P096O2	COIL-CHIP	BK1608TS601-T	TS601 1608	N927L91811
L590	351P10869	COIL-CHOKE-CHIP	CDH53NP-100LC		N937L16612
L601	351P096O2	COIL-CHIP	BK1608TS601-T	TS601 1608	N927L91811
L610	351P10869	COIL-CHOKE-CHIP	CDH53NP-100LC		N937L16612
L630	351P072O8	COIL-CHIP	FBMJ4516HS111-T	HS111 4516	N937L16612
L631	351P12430	COIL-CHIP	FBMH3216HM501NT	HM501 3216	N937L05211
L632	351P096O2	COIL-CHIP	BK1608TS601-T	TS601 1608	N927L91811
L633	351P072O8	COIL-CHIP	FBMJ4516HS111-T	HS111 4516	N937L16612
L634	351P12330	COIL-CHIP	BK1005HM121		N937L27117
L635	351P12322	COIL-CHIP	BK1005HS601		N937L16612
L636	351P12322	COIL-CHIP	BK1005HS601		N937L16612
L637	351P12322	COIL-CHIP	BK1005HS601		N937L16612
L638	351P12330	COIL-CHIP	BK1005HM121		N937L27117
L639	351P12322	COIL-CHIP	BK1005HS601		N937L16612
L640	351P12322	COIL-CHIP	BK1005HS601		N937L16612
L641	351P12322	COIL-CHIP	BK1005HS601		N937L16612
L642	351P12322	COIL-CHIP	BK1005HS601		N937L16612
L643	351P12322	COIL-CHIP	BK1005HS601		N937L16612
L644	351P12322	COIL-CHIP	BK1005HS601		N937L16612
L645	351P12322	COIL-CHIP	BK1005HS601		N937L16612
L660	351P096O2	COIL-CHIP	BK1608TS601-T	TS601 1608	N927L91811
L662	351P096O2	COIL-CHIP	BK1608TS601-T	TS601 1608	N927L91811
L663	351P096O2	COIL-CHIP	BK1608TS601-T	TS601 1608	N927L91811
L664	351P095O4	COIL-CHOKE-CHIP	BK1608LM252-T		N927L91811
L670	351P07624	COIL-CHOKE-CHIP	CDRH104RNP-100NC		N937L27117
L671	351P10559	COIL-CHOKE-CHIP	7E06NB-1R5M-T		N937L16612
L672	351P14571	COIL-CHOKE-CHIP	7E10NA150M	15UH 3.1A	N937L27117
L673	351P14571	COIL-CHOKE-CHIP	7E10NA150M	15UH 3.1A	N937L27117
L674	351P10559	COIL-CHOKE-CHIP	7E06NB-1R5M-T		N937L16612
L675	351P07624	COIL-CHOKE-CHIP	CDRH104RNP-100NC		N937L27117
L676	351P10559	COIL-CHOKE-CHIP	7E06NB-1R5M-T		N937L16612
L677	351P14571	COIL-CHOKE-CHIP	7E10NA150M	15UH 3.1A	N937L27117
L678	351P14571	COIL-CHOKE-CHIP	7E10NA150M	15UH 3.1A	N937L27117
L679	351P10559	COIL-CHOKE-CHIP	7E06NB-1R5M-T		N937L16612
L680	351P10563	COIL-CHOKE-CHIP	7E06NB-3R3M-T		N937L27117
L681	351P072O8	COIL-CHIP	FBMJ4516HS111-T	HS111 4516	N937L16612
L700	103P159O9	R-CHIP	RMC1/16SJPTH	1/16W 0 1005	N937L16612
L701	103P159O9	R-CHIP	RMC1/16SJPTH	1/16W 0 1005	N937L16612
L702	103P159O9	R-CHIP	RMC1/16SJPTH	1/16W 0 1005	N937L16612
L703	351P091O6	COIL-CHIP	BK1608HS121-T	HS121 1608	N927L91811
L704	351P091O6	COIL-CHIP	BK1608HS121-T	HS121 1608	N927L91811
L705	351P091O6	COIL-CHIP	BK1608HS121-T	HS121 1608	N927L91811
L706	351P12330	COIL-CHIP	BK1005HM121		N937L27117

Ref. No.	Parts No.	Parts Name	Note	Spec.	Base Parts No.
L707	351P12330	COIL-CHIP	BK1005HM121		N937L27117
L708	351P12330	COIL-CHIP	BK1005HM121		N937L27117
L709	351P091O6	COIL-CHIP	BK1608HS121-T	HS121 1608	N927L91811
L710	351P091O6	COIL-CHIP	BK1608HS121-T	HS121 1608	N927L91811
L711	351P091O6	COIL-CHIP	BK1608HS121-T	HS121 1608	N927L91811
L712	351P12330	COIL-CHIP	BK1005HM121		N937L27117
L713	351P12330	COIL-CHIP	BK1005HM121		N937L27117
L716	351P096O2	COIL-CHIP	BK1608TS601-T	TS601 1608	N927L91811
L717	351P096O2	COIL-CHIP	BK1608TS601-T	TS601 1608	N927L91811
L718	351P12322	COIL-CHIP	BK1005HS601		N937L16612
L721	351P12322	COIL-CHIP	BK1005HS601		N937L16612
L722	351P12322	COIL-CHIP	BK1005HS601		N937L16612
L723	351P12322	COIL-CHIP	BK1005HS601		N937L16612
L724	351P12322	COIL-CHIP	BK1005HS601		N937L16612
L725	351P12322	COIL-CHIP	BK1005HS601		N937L16612
L726	351P12322	COIL-CHIP	BK1005HS601		N937L16612
L727	351P12322	COIL-CHIP	BK1005HS601		N937L16612
L728	351P12322	COIL-CHIP	BK1005HS601		N937L16612
L729	351P12322	COIL-CHIP	BK1005HS601		N937L16612
L730	351P12322	COIL-CHIP	BK1005HS601		N937L16612
L731	351P095O4	COIL-CHOKE-CHIP	BK1608LM252-T		N927L91811
L732	351P096O2	COIL-CHIP	BK1608TS601-T	TS601 1608	N927L91811
L733	351P096O2	COIL-CHIP	BK1608TS601-T	TS601 1608	N927L91811
L734	351P12334	COIL	BK1005HM102		N931L16414
L750	351P12430	COIL-CHIP	FBMH3216HM501NT	HM501 3216	N937L05211
L780	351P091O9	COIL-CHIP	BK1608HS102-T	HS102 1608	N937L27117
L781	351P091O9	COIL-CHIP	BK1608HS102-T	HS102 1608	N937L27117
L786	351P091O9	COIL-CHIP	BK1608HS102-T	HS102 1608	N937L27117
L787	351P091O9	COIL-CHIP	BK1608HS102-T	HS102 1608	N937L27117
L788	351P095O4	COIL-CHOKE-CHIP	BK1608LM252-T		N927L91811
L789	351P095O4	COIL-CHOKE-CHIP	BK1608LM252-T		N927L91811
L790	351P095O4	COIL-CHOKE-CHIP	BK1608LM252-T		N927L91811
L791	351P095O4	COIL-CHOKE-CHIP	BK1608LM252-T		N927L91811
L792	351P095O4	COIL-CHOKE-CHIP	BK1608LM252-T		N927L91811
L793	351P095O4	COIL-CHOKE-CHIP	BK1608LM252-T		N927L91811
L794	351P095O4	COIL-CHOKE-CHIP	BK1608LM252-T		N927L91811
L795	351P095O4	COIL-CHOKE-CHIP	BK1608LM252-T		N927L91811
L798	351P091O9	COIL-CHIP	BK1608HS102-T	HS102 1608	N937L27117
L799	351P091O9	COIL-CHIP	BK1608HS102-T	HS102 1608	N937L27117
L7A0	351P095O4	COIL-CHOKE-CHIP	BK1608LM252-T		N927L91811
L7A1	351P095O4	COIL-CHOKE-CHIP	BK1608LM252-T		N927L91811
L7A2	351P095O4	COIL-CHOKE-CHIP	BK1608LM252-T		N927L91811
L7A3	351P095O4	COIL-CHOKE-CHIP	BK1608LM252-T		N927L91811
L7A5	351P095O4	COIL-CHOKE-CHIP	BK1608LM252-T		N927L91811
L7A6	351P095O4	COIL-CHOKE-CHIP	BK1608LM252-T		N927L91811
L7A7	351P095O4	COIL-CHOKE-CHIP	BK1608LM252-T		N927L91811
L7A8	351P095O4	COIL-CHOKE-CHIP	BK1608LM252-T		N927L91811
L7A9	351P095O4	COIL-CHOKE-CHIP	BK1608LM252-T		N927L91811
L7B0	351P095O4	COIL-CHOKE-CHIP	BK1608LM252-T		N927L91811
L7B3	351P095O4	COIL-CHOKE-CHIP	BK1608LM252-T		N927L91811
L7B4	351P095O4	COIL-CHOKE-CHIP	BK1608LM252-T		N927L91811
L7B5	351P095O4	COIL-CHOKE-CHIP	BK1608LM252-T		N927L91811
L7B6	351P095O4	COIL-CHOKE-CHIP	BK1608LM252-T		N927L91811
L7B7	351P10568	COIL-CHOKE-CHIP	7E06NB-8R2M-T		N937L27117
L7C0	351P096O2	COIL-CHIP	BK1608TS601-T	TS601 1608	N927L91811
L7C1	351P095O4	COIL-CHOKE-CHIP	BK1608LM252-T		N927L91811
L7C2	351P095O4	COIL-CHOKE-CHIP	BK1608LM252-T		N927L91811
L7C3	351P095O4	COIL-CHOKE-CHIP	BK1608LM252-T		N927L91811
L7C4	351P095O4	COIL-CHOKE-CHIP	BK1608LM252-T		N927L91811
L7C6	351P091O6	COIL-CHIP	BK1608HS121-T	HS121 1608	N927L91811
L7C7	351P091O6	COIL-CHIP	BK1608HS121-T	HS121 1608	N927L91811
L7C8	351P096O2	COIL-CHIP	BK1608TS601-T	TS601 1608	N927L91811
L7C9	351P091O6	COIL-CHIP	BK1608HS121-T	HS121 1608	N927L91811
L7D0	351P091O6	COIL-CHIP	BK1608HS121-T	HS121 1608	N927L91811

ELECTRICAL PARTS LIST

Ref. No.	Parts No.	Parts Name	Note	Spec.	Base Parts No.
L7D1	351P09504	COIL-CHOKE-CHIP	BK1608LM252-T		N927L91811
L7D2	351P09106	COIL-CHIP	BK1608HS121-T	HS121 1608	N927L91811
L7D5	351P09106	COIL-CHIP	BK1608HS121-T	HS121 1608	N927L91811
L7E5	351P09504	COIL-CHOKE-CHIP	BK1608LM252-T		N927L91811
L7E6	351P09504	COIL-CHOKE-CHIP	BK1608LM252-T		N927L91811
L7G2	351P09106	COIL-CHIP	BK1608HS121-T	HS121 1608	N927L91811
L7G3	351P12430	COIL-CHIP	FBMH3216HM501NT	HM501 3216	N937L05211
L7G6	351P09504	COIL-CHOKE-CHIP	BK1608LM252-T		N927L91811
L7G7	351P09504	COIL-CHOKE-CHIP	BK1608LM252-T		N927L91811
L7H6	351P09504	COIL-CHOKE-CHIP	BK1608LM252-T		N927L91811
L7K0	351P09504	COIL-CHOKE-CHIP	BK1608LM252-T		N927L91811
L7K1	351P09504	COIL-CHOKE-CHIP	BK1608LM252-T		N927L91811
L7K6	351P07411	COIL-CHOKE	DN-MB550		N937L27017
P001	452P26210	CONNECTOR	GT13SHA-1/1PP-DS	4PIN SIDE	N931L16314
P01G	452P30494	CONNECTOR	B4B-PH-SM4-TBT(LF)(SN)	4P TOP	N937L27117
P01P	452P23530	CONNECTOR	9850S-30Y900	30PIN TOP	N927L91811
P02C	452L31702	CONNECTOR-TAPE	S2B-PH-SM4-TB(LF)(SN)	2P SIDE	N937L27117
P02P	452P23518	CONNECTOR-TAPE	9850S-18Y900	18PIN TOP	N927L91811
P03P	452P27390	CONNECTOR-TAPE	CFP5460-0370G	60P SIDE	N927L91811
P04P	443P01012	TERMINAL	SD01123-21		N927L91811
P05C	443P01012	TERMINAL	SD01123-21		N927L91811
P06C	443P01012	TERMINAL	SD01123-21		N927L91811
P1G1	452L27608	CONNECTOR	IL-AG5-7P-S3L2	7P SIDE	N931L16314
P201	452P32350	CONNECTOR-TAPE	51374-5093	50P TOP	N937L16612
P202	452P27818	CONNECTOR-TAPE	9850B-18Y903	18PIN SIDE	N931L16414
P203	452P23530	CONNECTOR	9850S-30Y900	30PIN TOP	N927L91811
P20C	449P03511	SOCKET-DIN	TCS7246-0123177	4PIN MINIDIN	N937L27017
P2A1	452P29817	CONNECTOR	MX34017NFA	17P SIDE	N931L16314
P2V0	452P19880	CONNECTOR-TAPE	9855B-30Y905	30P TOP	N931L16414
P2V1	452L31704	CONNECTOR-TAPE	S4B-PH-SM4-TB(LF)(SN)	4P SIDE	N931L16414
P2W0	452L31705	CONNECTOR-TAPE	S5B-PH-SM4-TB(LF)(SN)	5P SIDE	N931L16414
P2Z0	452P27910	CONNECTOR	GT5-1P-DS(70)		N931L16314
P460	452P19116	CONNECTOR	54132-5092	50P SIDE	N937L16612
P550	452P40615	CONNECTOR-TAPE	9828S-80Y906	80P TOP	N937L16612
P551	452P40615	CONNECTOR-TAPE	9828S-80Y906	80P TOP	N937L16612
P560	452P25611	CONNECTOR-TAPE	9293S-50Y905	50P TOP	N937L16612
P561	452P32350	CONNECTOR-TAPE	51374-5093	50P TOP	N937L16612
P603	452P26212	CONNECTOR	GT13SH-1/1PP-DS(A)	4PIN SIDE	N937L27017
P604	452P30494	CONNECTOR	B4B-PH-SM4-TBT(LF)(SN)	4P TOP	N937L27117
P701	452P32350	CONNECTOR-TAPE	51374-5093	50P TOP	N937L16612
P703	452P29871	CONNECTOR	MX34032NF2	32P SIDE	N937L27017
P704	452P27830	CONNECTOR-TAPE	9850B-30Y903	30PIN SIDE	N937L27117
P705	452P29812	CONNECTOR	MX34012NF1	12P SIDE	N937L27017
P707	452P29893	CONNECTOR	MX34003NF1	3P SIDE	N937L27017
P708	452P29895	CONNECTOR	MX34005NF1	5P SIDE	N937L27017
P709	452P31315	CONNECTOR-TAPE	9860B-80Y908	80P TOP	N937L27117
P710	452P31315	CONNECTOR-TAPE	9860B-80Y908	80P TOP	N937L27117
P711	443P01012	TERMINAL	SD01123-21		N927L91811
P712	443P01012	TERMINAL	SD01123-21		N927L91811
P713	443P01012	TERMINAL	SD01123-21		N927L91811
P714	443P01012	TERMINAL	SD01123-21		N927L91811
P715	443P01012	TERMINAL	SD01123-21		N927L91811
P716	443P01012	TERMINAL	SD01123-21		N927L91811
P717	443P01012	TERMINAL	SD01123-21		N927L91811
P718	443P01012	TERMINAL	SD01123-21		N927L91811
P719	443P01012	TERMINAL	SD01123-21		N927L91811
Q001	260P47401	TRANSISTOR-CHIP	2SC4703-T1-AZ (SF)	NPN HFE:80-160	N931L16414
Q01P	260L01704	TRANSISTOR-CHIP	2SA1576AR,S		N937L05211
Q02P	260L01704	TRANSISTOR-CHIP	2SA1576AR,S		N937L05211
Q03P	260L01704	TRANSISTOR-CHIP	2SA1576AR,S		N937L05211
Q04P	260L05905	TRANSISTOR-CHIP	DTC124EUA		N927L91811
Q05P	260L05905	TRANSISTOR-CHIP	DTC124EUA		N927L91811
Q090	260L10001	TRANSISTOR-CHIP	2SD1760-Q		N931L16414
Q091	260P10901	TRANSISTOR-CHIP	DTA124EUA		N937L16612

Ref. No.	Parts No.	Parts Name	Note	Spec.	Base Parts No.
Q092	260P10801	TRANSISTOR-CHIP	DTC144EUA		N931L16414
Q0D1	260P68510	TRANSISTOR-TAPE	2SB1243 TV2 Q		N931L16414
Q0D2	260P10802	TRANSISTOR-CHIP	DTC143EUA		N931L16414
Q0D3	260M06105	TRANSISTOR-CHIP	2SC2412K T146 S		N931L16414
Q0E1	260M06105	TRANSISTOR-CHIP	2SC2412K T146 S		N931L16414
Q0E2	260M06105	TRANSISTOR-CHIP	2SC2412K T146 S		N931L16414
Q0F1	260M06105	TRANSISTOR-CHIP	2SC2412K T146 S		N931L16414
Q0H1	260P11410	TRANSISTOR	2SB1561-T100Q		N931L16414
Q0H2	260M06105	TRANSISTOR-CHIP	2SC2412K T146 S		N931L16414
Q0H3	260M06105	TRANSISTOR-CHIP	2SC2412K T146 S		N931L16414
Q0H4	260P11710	TRANSISTOR-CHIP	2SA1364-T113-1E	SC-62	N931L16414
Q0H5	260P10802	TRANSISTOR-CHIP	DTC143EUA		N931L16414
Q1004	260L05108	TRANSISTOR-CHIP	DTC114EUA T106		N937L05211
Q1005	260L01604	TRANSISTOR-CHIP	2SC4081 T106 R,S		N937L05211
Q1006	260L01604	TRANSISTOR-CHIP	2SC4081 T106 R,S		N937L05211
Q1007	260L01604	TRANSISTOR-CHIP	2SC4081 T106 R,S		N937L05211
Q1008	260L05108	TRANSISTOR-CHIP	DTC114EUA T106		N937L05211
Q1009	260L01604	TRANSISTOR-CHIP	2SC4081 T106 R,S		N937L05211
Q101	260P13210	TRANSISTOR-CHIP	2SC5232B(TE85L_F)		N931L16414
Q1010	260L01604	TRANSISTOR-CHIP	2SC4081 T106 R,S		N937L05211
Q1011	260L01604	TRANSISTOR-CHIP	2SC4081 T106 R,S		N937L05211
Q1012	260L01604	TRANSISTOR-CHIP	2SC4081 T106 R,S		N937L05211
Q1013	260L01704	TRANSISTOR-CHIP	2SA1576AR,S		N937L05211
Q1014	260L01704	TRANSISTOR-CHIP	2SA1576AR,S		N937L05211
Q1015	260L01704	TRANSISTOR-CHIP	2SA1576AR,S		N937L05211
Q1016	260L01604	TRANSISTOR-CHIP	2SC4081 T106 R,S		N937L05211
Q1017	260L01704	TRANSISTOR-CHIP	2SA1576AR,S		N937L05211
Q1018	260P71310	TRANSISTOR-TAPE	BC817UPN		N937L05211
Q1019	260P71310	TRANSISTOR-TAPE	BC817UPN		N937L05211
Q1020	260P71210	TRANSISTOR-TAPE	RSQ035P03TR		N937L05211
Q1021	260P71210	TRANSISTOR-TAPE	RSQ035P03TR		N937L05211
Q1022	260L01604	TRANSISTOR-CHIP	2SC4081 T106 R,S		N937L05211
Q1023	260P71310	TRANSISTOR-TAPE	BC817UPN		N937L05211
Q1024	260L03103	TRANSISTOR-CHIP	2SB1132Q T100 Q,R	PNP	N937L05211
Q1025	260L03202	TRANSISTOR-CHIP	2SD1664 T100 Q_R		N937L05211
Q1026	260L05108	TRANSISTOR-CHIP	DTC114EUA T106		N937L05211
Q1027	260P71210	TRANSISTOR-TAPE	RSQ035P03TR		N937L05211
Q1028	260L05108	TRANSISTOR-CHIP	DTC114EUA T106		N937L05211
Q1029	260P71210	TRANSISTOR-TAPE	RSQ035P03TR		N937L05211
Q1030	260P71210	TRANSISTOR-TAPE	RSQ035P03TR		N937L05211
Q1031	260L05108	TRANSISTOR-CHIP	DTC114EUA T106		N937L05211
Q1034	260L01704	TRANSISTOR-CHIP	2SA1576AR,S		N937L05211
Q1035	260L03103	TRANSISTOR-CHIP	2SB1132Q T100 Q,R	PNP	N937L05211
Q1036	260L03202	TRANSISTOR-CHIP	2SD1664 T100 Q_R		N937L05211
Q1038	260L05109	TRANSISTOR-CHIP	DTC123EUA T106		N937L05211
Q1039	260L05109	TRANSISTOR-CHIP	DTC123EUA T106		N937L05211
Q1040	260L05109	TRANSISTOR-CHIP	DTC123EUA T106		N937L05211
Q1041	260L01704	TRANSISTOR-CHIP	2SA1576AR,S		N937L05211
Q1042	260L05908	TRANSISTOR-CHIP	DTA114EUAT106		N937L05211
Q1043	260L05108	TRANSISTOR-CHIP	DTC114EUA T106		N937L05211
Q1044	260L05908	TRANSISTOR-CHIP	DTA114EUAT106		N937L05211
Q1045	260L01704	TRANSISTOR-CHIP	2SA1576AR,S		N937L05211
Q1046	260L01704	TRANSISTOR-CHIP	2SA1576AR,S		N937L05211
Q1047	260P18310	TRANSISTOR-CHIP	2SD1802S/T-TL-E		N937L05211
Q1048	260P18310	TRANSISTOR-CHIP	2SD1802S/T-TL-E		N937L05211
Q1049	260P71210	TRANSISTOR-TAPE	RSQ035P03TR		N937L05211
Q1050	260L05108	TRANSISTOR-CHIP	DTC114EUA T106		N937L05211
Q11P	260L05905	TRANSISTOR-CHIP	DTC124EUA		N927L91811
Q121	260P13210	TRANSISTOR-CHIP	2SC5232B(TE85L_F)		N931L16414
Q12P	260L05905	TRANSISTOR-CHIP	DTC124EUA		N927L91811
Q141	260P13210	TRANSISTOR-CHIP	2SC5232B(TE85L_F)		N931L16414
Q161	260P13210	TRANSISTOR-CHIP	2SC5232B(TE85L_F)		N931L16414
Q181	260P13210	TRANSISTOR-CHIP	2SC5232B(TE85L_F)		N931L16414
Q191	260P68210	TRANSISTOR	2SD2375OP	2W 60V 3A	N931L16314

ELECTRICAL PARTS LIST

Ref. No.	Parts No.	Parts Name	Note	Spec.	Base Parts No.
Q192	260L059O3	TRANSISTOR-CHIP	DTA143EUA		N931L16414
Q193	260P108O2	TRANSISTOR-CHIP	DTC143EUA		N931L16414
Q1G1	260L051O8	TRANSISTOR-CHIP	DTC114EUA T106		N937L05211
Q1G2	260L059O3	TRANSISTOR-CHIP	DTA143EUA		N931L16414
Q1G3	260L059O5	TRANSISTOR-CHIP	DTC124EUA		N927L91811
Q1K1	260P14210	TRANSISTOR-CHIP	DTC623TU		N931L16414
Q1K2	260L059O5	TRANSISTOR-CHIP	DTC124EUA		N927L91811
Q1K3	260L059O5	TRANSISTOR-CHIP	DTC124EUA		N927L91811
Q1K5	260P14210	TRANSISTOR-CHIP	DTC623TU		N931L16414
Q1K7	260P109O1	TRANSISTOR-CHIP	DTA124EUA		N937L16612
Q1K9	260L051O8	TRANSISTOR-CHIP	DTC114EUA T106		N937L05211
Q1L1	260P14210	TRANSISTOR-CHIP	DTC623TU		N931L16414
Q1L2	260L059O5	TRANSISTOR-CHIP	DTC124EUA		N927L91811
Q1L3	260L059O5	TRANSISTOR-CHIP	DTC124EUA		N927L91811
Q1L4	260L059O5	TRANSISTOR-CHIP	DTC124EUA		N927L91811
Q1L5	260P14210	TRANSISTOR-CHIP	DTC623TU		N931L16414
Q1L7	260P109O1	TRANSISTOR-CHIP	DTA124EUA		N937L16612
Q1L8	260P109O1	TRANSISTOR-CHIP	DTA124EUA		N937L16612
Q1P1	260L059O5	TRANSISTOR-CHIP	DTC124EUA		N927L91811
Q202	260P109O2	TRANSISTOR-CHIP	DTA144EUA		N931L16414
Q205	260L059O5	TRANSISTOR-CHIP	DTC124EUA		N927L91811
Q206	260L059O5	TRANSISTOR-CHIP	DTC124EUA		N927L91811
Q207	260M06210	TRANSISTOR-CHIP	2SA1576A R,S		N931L16414
Q209	260L059O8	TRANSISTOR-CHIP	DTA114EUAT106		N937L05211
Q210	260L051O8	TRANSISTOR-CHIP	DTC114EUA T106		N937L05211
Q211	260M06210	TRANSISTOR-CHIP	2SA1576A R,S		N931L16414
Q212	260M061O5	TRANSISTOR-CHIP	2SC2412K T146 S		N931L16414
Q213	260L014O7	TRANSISTOR-CHIP	DTC115EKAT146		N931L16414
Q214	260L059O5	TRANSISTOR-CHIP	DTC124EUA		N927L91811
Q215	260L059O5	TRANSISTOR-CHIP	DTC124EUA		N927L91811
Q216	260L059O5	TRANSISTOR-CHIP	DTC124EUA		N927L91811
Q230	260L059O5	TRANSISTOR-CHIP	DTC124EUA		N927L91811
Q231	260P109O1	TRANSISTOR-CHIP	DTA124EUA		N937L16612
Q271	260P102O1	TRANSISTOR-CHIP	2SD2318 TL V		N931L16414
Q2A1	260M061O5	TRANSISTOR-CHIP	2SC2412K T146 S		N931L16414
Q2A2	260L016O5	TRANSISTOR-CHIP	2SC4081S		N931L16414
Q2P1	260P68210	TRANSISTOR	2SD2375OP	2W 60V 3A	N931L16314
Q2P2	260L059O3	TRANSISTOR-CHIP	DTA143EUA		N931L16414
Q2P3	260P108O2	TRANSISTOR-CHIP	DTC143EUA		N931L16414
Q2V0	260P109O1	TRANSISTOR-CHIP	DTA124EUA		N937L16612
Q2V1	260P108O1	TRANSISTOR-CHIP	DTC144EUA		N931L16414
Q2V2	260M061O5	TRANSISTOR-CHIP	2SC2412K T146 S		N931L16414
Q2V3	260P68210	TRANSISTOR	2SD2375OP	2W 60V 3A	N931L16314
Q2V4	260M061O5	TRANSISTOR-CHIP	2SC2412K T146 S		N931L16414
Q2W0	260L047O1	TRANSISTOR-CHIP	2SA1369-T113-1G	PB-FREE(SN-2BI)	N931L16414
Q2W1	260L059O5	TRANSISTOR-CHIP	DTC124EUA		N927L91811
Q370	260L017O4	TRANSISTOR-CHIP	2SA1576AR,S		N937L05211
Q460	260P15710	TRANSISTOR-CHIP	RTQ040P02 TR		N937L16612
Q461	260L016O4	TRANSISTOR-CHIP	2SC4081 T106 R,S		N937L05211
Q530	260P15710	TRANSISTOR-CHIP	RTQ040P02 TR		N937L16612
Q531	260L016O4	TRANSISTOR-CHIP	2SC4081 T106 R,S		N937L05211
Q533	260L016O4	TRANSISTOR-CHIP	2SC4081 T106 R,S		N937L05211
Q534	260L016O4	TRANSISTOR-CHIP	2SC4081 T106 R,S		N937L05211
Q535	260L016O4	TRANSISTOR-CHIP	2SC4081 T106 R,S		N937L05211
Q536	260L016O4	TRANSISTOR-CHIP	2SC4081 T106 R,S		N937L05211
Q537	260L016O4	TRANSISTOR-CHIP	2SC4081 T106 R,S		N937L05211
Q538	260P109O1	TRANSISTOR-CHIP	DTA124EUA		N937L16612
Q539	260L059O5	TRANSISTOR-CHIP	DTC124EUA		N927L91811
Q540	260L017O4	TRANSISTOR-CHIP	2SA1576AR,S		N937L05211
Q541	260L016O4	TRANSISTOR-CHIP	2SC4081 T106 R,S		N937L05211
Q542	260L016O4	TRANSISTOR-CHIP	2SC4081 T106 R,S		N937L05211
Q543	260L059O5	TRANSISTOR-CHIP	DTC124EUA		N927L91811
Q544	260P15710	TRANSISTOR-CHIP	RTQ040P02 TR		N937L16612
Q545	260L016O4	TRANSISTOR-CHIP	2SC4081 T106 R,S		N937L05211

Ref. No.	Parts No.	Parts Name	Note	Spec.	Base Parts No.
Q546	260L017O4	TRANSISTOR-CHIP	2SA1576AR,S		N937L05211
Q601	260L059O5	TRANSISTOR-CHIP	DTC124EUA		N927L91811
Q602	260L059O5	TRANSISTOR-CHIP	DTC124EUA		N927L91811
Q603	260L016O4	TRANSISTOR-CHIP	2SC4081 T106 R,S		N937L05211
Q604	260L059O6	TRANSISTOR-CHIP	DTC143TUA		N937L27117
Q605	260L017O4	TRANSISTOR-CHIP	2SA1576AR,S		N937L05211
Q610	260L016O4	TRANSISTOR-CHIP	2SC4081 T106 R,S		N937L05211
Q611	260L017O4	TRANSISTOR-CHIP	2SA1576AR,S		N937L05211
Q612	260L017O4	TRANSISTOR-CHIP	2SA1576AR,S		N937L05211
Q613	260L017O4	TRANSISTOR-CHIP	2SA1576AR,S		N937L05211
Q631	260L033O1	TRANSISTOR-CHIP	DTC323TK T146		N937L27117
Q635	260L016O4	TRANSISTOR-CHIP	2SC4081 T106 R,S		N937L05211
Q636	260P109O1	TRANSISTOR-CHIP	DTA124EUA		N937L16612
Q650	260L016O4	TRANSISTOR-CHIP	2SC4081 T106 R,S		N937L05211
Q651	260L016O4	TRANSISTOR-CHIP	2SC4081 T106 R,S		N937L05211
Q660	260L016O3	TRANSISTOR-CHIP	2SC2412K T146 S		N937L27117
Q661	260L017O4	TRANSISTOR-CHIP	2SA1576AR,S		N937L05211
Q662	260L059O5	TRANSISTOR-CHIP	DTC124EUA		N927L91811
Q670	260P69410	TRANSISTOR-TAPE	SP8K3 TB		N937L27117
Q671	260P69410	TRANSISTOR-TAPE	SP8K3 TB		N937L27117
Q674	260P11410	TRANSISTOR	2SB1561-T100Q		N931L16414
Q675	260L016O4	TRANSISTOR-CHIP	2SC4081 T106 R,S		N937L05211
Q676	260P69410	TRANSISTOR-TAPE	SP8K3 TB		N937L27117
Q677	260P69410	TRANSISTOR-TAPE	SP8K3 TB		N937L27117
Q700	260L016O4	TRANSISTOR-CHIP	2SC4081 T106 R,S		N937L05211
Q702	260L059O5	TRANSISTOR-CHIP	DTC124EUA		N927L91811
Q703	260L017O4	TRANSISTOR-CHIP	2SA1576AR,S		N937L05211
Q704	260P11410	TRANSISTOR	2SB1561-T100Q		N931L16414
Q705	260L016O4	TRANSISTOR-CHIP	2SC4081 T106 R,S		N937L05211
Q70M	260L016O4	TRANSISTOR-CHIP	2SC4081 T106 R,S		N937L05211
Q710	260L062O1	TRANSISTOR-CHIP	2SD2153 T100 V		N937L27117
Q711	260P109O1	TRANSISTOR-CHIP	DTA124EUA		N937L16612
Q712	260L059O5	TRANSISTOR-CHIP	DTC124EUA		N927L91811
Q713	260L059O5	TRANSISTOR-CHIP	DTC124EUA		N927L91811
Q714	260L059O5	TRANSISTOR-CHIP	DTC124EUA		N927L91811
Q740	260L017O4	TRANSISTOR-CHIP	2SA1576AR,S		N937L05211
Q741	260L016O4	TRANSISTOR-CHIP	2SC4081 T106 R,S		N937L05211
Q742	260L017O4	TRANSISTOR-CHIP	2SA1576AR,S		N937L05211
Q743	260L016O4	TRANSISTOR-CHIP	2SC4081 T106 R,S		N937L05211
Q744	260L017O4	TRANSISTOR-CHIP	2SA1576AR,S		N937L05211
Q745	260L016O4	TRANSISTOR-CHIP	2SC4081 T106 R,S		N937L05211
Q746	260L059O5	TRANSISTOR-CHIP	DTC124EUA		N927L91811
Q747	260L017O4	TRANSISTOR-CHIP	2SA1576AR,S		N937L05211
Q748	260L059O5	TRANSISTOR-CHIP	DTC124EUA		N927L91811
Q749	260L017O4	TRANSISTOR-CHIP	2SA1576AR,S		N937L05211
Q750	260L059O5	TRANSISTOR-CHIP	DTC124EUA		N927L91811
Q751	260L017O4	TRANSISTOR-CHIP	2SA1576AR,S		N937L05211
Q752	260L016O4	TRANSISTOR-CHIP	2SC4081 T106 R,S		N937L05211
Q753	260L017O4	TRANSISTOR-CHIP	2SA1576AR,S		N937L05211
Q756	260L016O4	TRANSISTOR-CHIP	2SC4081 T106 R,S		N937L05211
Q757	260L017O4	TRANSISTOR-CHIP	2SA1576AR,S		N937L05211
Q758	260L017O4	TRANSISTOR-CHIP	2SA1576AR,S		N937L05211
Q759	260L059O5	TRANSISTOR-CHIP	DTC124EUA		N927L91811
Q770	260L017O4	TRANSISTOR-CHIP	2SA1576AR,S		N937L05211
Q771	260L016O4	TRANSISTOR-CHIP	2SC4081 T106 R,S		N937L05211
Q772	260L016O4	TRANSISTOR-CHIP	2SC4081 T106 R,S		N937L05211
Q773	260L016O4	TRANSISTOR-CHIP	2SC4081 T106 R,S		N937L05211
Q774	260L017O4	TRANSISTOR-CHIP	2SA1576AR,S		N937L05211
Q775	260L016O4	TRANSISTOR-CHIP	2SC4081 T106 R,S		N937L05211
Q784	260L059O5	TRANSISTOR-CHIP	DTC124EUA		N927L91811
Q785	260L017O4	TRANSISTOR-CHIP	2SA1576AR,S		N937L05211
Q7A1	260L059O6	TRANSISTOR-CHIP	DTC143TUA		N937L27117
Q7A3	260L059O6	TRANSISTOR-CHIP	DTC143TUA		N937L27117
Q7A5	260L059O6	TRANSISTOR-CHIP	DTC143TUA		N937L27117

ELECTRICAL PARTS LIST

Ref. No.	Parts No.	Parts Name	Note	Spec.	Base Parts No.
Q7A6	260L05906	TRANSISTOR-CHIP	DTC143TUA		N937L27117
Q7A7	260L05906	TRANSISTOR-CHIP	DTC143TUA		N937L27117
Q7A8	260P68810	TRANSISTOR-TAPE	2SJ530-91(S)TL-E		N937L27117
Q7A9	260L01604	TRANSISTOR-CHIP	2SC4081 T106 R,S		N937L05211
Q7B0	260L01604	TRANSISTOR-CHIP	2SC4081 T106 R,S		N937L05211
Q7B1	260P11410	TRANSISTOR	2SB1561-T100Q		N931L16414
Q7B2	260L05906	TRANSISTOR-CHIP	DTC143TUA		N937L27117
Q7B3	260L01704	TRANSISTOR-CHIP	2SA1576AR,S		N937L05211
Q7B4	260L05906	TRANSISTOR-CHIP	DTC143TUA		N937L27117
R001	103L29107	R-CHIP	RMC1/16221JTP	1/10W 221J 1608	N937L05211
R002	103L29909	R-CHIP	RMC1/16JTP	1/10W 0 1608	N937L05211
R003	103L29105	R-CHIP	RMC1/16151JTP	1/10W 151J 1608	N931L16414
R004	103L19001	R-CHIP	RMC1/10100JATP	1/8W 100J 2125	N937L05211
R005	103L29209	R-CHIP	RMC1/16222JTP	1/10W 222J 1608	N937L05211
R006	103L29107	R-CHIP	RMC1/16221JTP	1/10W 221J 1608	N937L05211
R007	103L29206	R-CHIP	RMC1/16122JTP	1/10W 122J 1608	N937L05211
R008	103L19004	R-CHIP	RMC1/10180JATP	1/8W 180J 2125	N931L16414
R010	103L29909	R-CHIP	RMC1/16JTP	1/10W 0 1608	N937L05211
R011	103L29909	R-CHIP	RMC1/16JTP	1/10W 0 1608	N937L05211
R012	103L29909	R-CHIP	RMC1/16JTP	1/10W 0 1608	N937L05211
R013	103L24909	R-CHIP	RMC1/8JPATP	1/4W 0 3216	N931L16414
R01G	103P15209	R-CHIP	RMC1/16S222JTH	1/16W 222J 1005	N937L16612
R01P	103L29307	R-CHIP	RMC1/16103JTP	1/10W 103J 1608	N937L05211
R02G	103P15409	R-CHIP	RMC1/16S104JTH	1/16W 104J 1005	N937L16612
R02P	103L29303	R-CHIP	RMC1/16472JTP	1/10W 472J 1608	N937L05211
R03P	103L29307	R-CHIP	RMC1/16103JTP	1/10W 103J 1608	N937L05211
R04P	103L29303	R-CHIP	RMC1/16472JTP	1/10W 472J 1608	N937L05211
R06P	103L19400	R-CHIP	RMC1/10183JATP	1/8W 183J 2125	N927L91811
R07P	103L19400	R-CHIP	RMC1/10183JATP	1/8W 183J 2125	N927L91811
R08P	103L19203	R-CHIP	RMC1/10681JATP	1/8W 681J 2125	N927L91811
R091	103L29206	R-CHIP	RMC1/16122JTP	1/10W 122J 1608	N937L05211
R0D1	103L29307	R-CHIP	RMC1/16103JTP	1/10W 103J 1608	N937L05211
R0D2	103L24300	R-CHIP	RMC1/8272JATP	1/4W 272J 3216	N931L16414
R0D3	103L29307	R-CHIP	RMC1/16103JTP	1/10W 103J 1608	N937L05211
R0D4	103L24300	R-CHIP	RMC1/8272JATP	1/4W 272J 3216	N931L16414
R0D6	103L29404	R-CHIP	RMC1/16393JTP	1/10W 393J 1608	N931L16414
R0D7	103L29407	R-CHIP	RMC1/16683JTP	1/10W 683J 1608	N931L16414
R0D8	103L29303	R-CHIP	RMC1/16472JTP	1/10W 472J 1608	N937L05211
R0D9	103L29405	R-CHIP	RMC1/16473JTP	1/10W 473J 1608	N937L05211
R0E0	103L29107	R-CHIP	RMC1/16221JTP	1/10W 221J 1608	N937L05211
R0E1	103L29107	R-CHIP	RMC1/16221JTP	1/10W 221J 1608	N937L05211
R0E2	103L29309	R-CHIP	RMC1/16153JTP	1/10W 153J 1608	N937L05211
R0E3	103L29309	R-CHIP	RMC1/16153JTP	1/10W 153J 1608	N937L05211
R0E4	103L29409	R-CHIP	RMC1/16104JTP	1/10W 104J 1608	N937L05211
R0E5	103L29409	R-CHIP	RMC1/16104JTP	1/10W 104J 1608	N937L05211
R0E6	103L29205	R-CHIP	RMC1/16102JTP	1/10W 102J 1608	N937L05211
R0E7	103L29205	R-CHIP	RMC1/16102JTP	1/10W 102J 1608	N937L05211
R0F1	103L29409	R-CHIP	RMC1/16104JTP	1/10W 104J 1608	N937L05211
R0F2	103L29308	R-CHIP	RMC1/16123JTP	1/10W 123J 1608	N937L05211
R0F3	103L29502	R-CHIP	RMC1/16184JTP	1/10W 184J 1608	N931L16414
R0F4	103L29400	R-CHIP	RMC1/16183JTP	1/10W 183J 1608	N931L16414
R0F5	103L29407	R-CHIP	RMC1/16683JTP	1/10W 683J 1608	N931L16414
R0F6	103L29405	R-CHIP	RMC1/16473JTP	1/10W 473J 1608	N937L05211
R0F7	103L29307	R-CHIP	RMC1/16103JTP	1/10W 103J 1608	N937L05211
R0F8	103L29307	R-CHIP	RMC1/16103JTP	1/10W 103J 1608	N937L05211
R0F9	103L29307	R-CHIP	RMC1/16103JTP	1/10W 103J 1608	N937L05211
R0G1	103L29205	R-CHIP	RMC1/16102JTP	1/10W 102J 1608	N937L05211
R0G2	103L29307	R-CHIP	RMC1/16103JTP	1/10W 103J 1608	N937L05211
R0H1	103L29307	R-CHIP	RMC1/16103JTP	1/10W 103J 1608	N937L05211
R0H2	103L29303	R-CHIP	RMC1/16472JTP	1/10W 472J 1608	N937L05211
R0H3	103L29303	R-CHIP	RMC1/16472JTP	1/10W 472J 1608	N937L05211
R0H4	103L29205	R-CHIP	RMC1/16102JTP	1/10W 102J 1608	N937L05211
R0H5	103L29303	R-CHIP	RMC1/16472JTP	1/10W 472J 1608	N937L05211
R0H6	103L29303	R-CHIP	RMC1/16472JTP	1/10W 472J 1608	N937L05211

Ref. No.	Parts No.	Parts Name	Note	Spec.	Base Parts No.
R0H7	103L29307	R-CHIP	RMC1/16103JTP	1/10W 103J 1608	N937L05211
R0H8	103L29301	R-CHIP	RMC1/16332JTP	1/10W 332J 1608	N937L05211
R0K1	103L29409	R-CHIP	RMC1/16104JTP	1/10W 104J 1608	N937L05211
R0K2	103L29409	R-CHIP	RMC1/16104JTP	1/10W 104J 1608	N937L05211
R0K3	103L29409	R-CHIP	RMC1/16104JTP	1/10W 104J 1608	N937L05211
R0K4	103L29409	R-CHIP	RMC1/16104JTP	1/10W 104J 1608	N937L05211
R0K5	103L29307	R-CHIP	RMC1/16103JTP	1/10W 103J 1608	N937L05211
R0K6	103L29307	R-CHIP	RMC1/16103JTP	1/10W 103J 1608	N937L05211
R101	103P50301	R-CHIP	RPC05T332F	1/10W 332F 1608	N931L16414
R1012	103L29301	R-CHIP	RMC1/16332JTP	1/10W 332J 1608	N937L05211
R1013	103L29309	R-CHIP	RMC1/16153JTP	1/10W 153J 1608	N937L05211
R1014	103L29409	R-CHIP	RMC1/16104JTP	1/10W 104J 1608	N937L05211
R1015	103L29309	R-CHIP	RMC1/16153JTP	1/10W 153J 1608	N937L05211
R1016	103L29409	R-CHIP	RMC1/16104JTP	1/10W 104J 1608	N937L05211
R1017	103L29309	R-CHIP	RMC1/16153JTP	1/10W 153J 1608	N937L05211
R1018	103L29409	R-CHIP	RMC1/16104JTP	1/10W 104J 1608	N937L05211
R1019	103L29307	R-CHIP	RMC1/16103JTP	1/10W 103J 1608	N937L05211
R102	103P50301	R-CHIP	RPC05T332F	1/10W 332F 1608	N931L16414
R1020	103L29204	R-CHIP	RMC1/16821JTP	1/10W 821J 1608	N937L05211
R1021	103L29204	R-CHIP	RMC1/16821JTP	1/10W 821J 1608	N937L05211
R1022	103L29204	R-CHIP	RMC1/16821JTP	1/10W 821J 1608	N937L05211
R1023	103L29109	R-CHIP	RMC1/16331JTP	1/10W 331J 1608	N937L05211
R1024	103L29109	R-CHIP	RMC1/16331JTP	1/10W 331J 1608	N937L05211
R1025	103L29109	R-CHIP	RMC1/16331JTP	1/10W 331J 1608	N937L05211
R1026	103L29308	R-CHIP	RMC1/16123JTP	1/10W 123J 1608	N937L05211
R1027	103L29409	R-CHIP	RMC1/16104JTP	1/10W 104J 1608	N937L05211
R1028	103L29301	R-CHIP	RMC1/16332JTP	1/10W 332J 1608	N937L05211
R1029	103P52837	R-CHIP	RGC1/16C103DTP	1/16W 103D 1608	N937L05211
R103	103P50306	R-CHIP	RMC1/16822FTP	1/10W 822F 1608	N931L16414
R1030	103P52837	R-CHIP	RGC1/16C103DTP	1/16W 103D 1608	N937L05211
R1031	103L29109	R-CHIP	RMC1/16331JTP	1/10W 331J 1608	N937L05211
R1032	103L29109	R-CHIP	RMC1/16331JTP	1/10W 331J 1608	N937L05211
R1033	103L29109	R-CHIP	RMC1/16331JTP	1/10W 331J 1608	N937L05211
R1034	103L29307	R-CHIP	RMC1/16103JTP	1/10W 103J 1608	N937L05211
R1035	103L29204	R-CHIP	RMC1/16821JTP	1/10W 821J 1608	N937L05211
R1036	103P52837	R-CHIP	RGC1/16C103DTP	1/16W 103D 1608	N937L05211
R1037	103P52837	R-CHIP	RGC1/16C103DTP	1/16W 103D 1608	N937L05211
R1038	103L29109	R-CHIP	RMC1/16331JTP	1/10W 331J 1608	N937L05211
R1039	103L29108	R-CHIP	RMC1/16271JTP	1/10W 271J 1608	N937L05211
R104	103P50306	R-CHIP	RMC1/16822FTP	1/10W 822F 1608	N931L16414
R1040	103L29203	R-CHIP	RMC1/16681JTP	1/10W 681J 1608	N937L05211
R1041	103L29203	R-CHIP	RMC1/16681JTP	1/10W 681J 1608	N937L05211
R1042	103L29203	R-CHIP	RMC1/16681JTP	1/10W 681J 1608	N937L05211
R1043	103L29103	R-CHIP	RMC1/16101JTP	1/10W 101J 1608	N937L05211
R1044	103L29103	R-CHIP	RMC1/16101JTP	1/10W 101J 1608	N937L05211
R1045	103P52843	R-CHIP	HPC05CT333D	1/16W 333D 1608	N937L05211
R1046	103L29201	R-CHIP	RMC1/16471JTP	1/10W 471J 1608	N937L05211
R1047	103L29201	R-CHIP	RMC1/16471JTP	1/10W 471J 1608	N937L05211
R1048	103L29201	R-CHIP	RMC1/16471JTP	1/10W 471J 1608	N937L05211
R1049	103L29203	R-CHIP	RMC1/16681JTP	1/10W 681J 1608	N937L05211
R105	103P50309	R-CHIP	RMC1/16153FTP	1/10W 153F 1608	N931L16414
R1050	103P52843	R-CHIP	HPC05CT333D	1/16W 333D 1608	N937L05211
R1051	103L29103	R-CHIP	RMC1/16101JTP	1/10W 101J 1608	N937L05211
R1052	103L29401	R-CHIP	RMC1/16223JTP	1/10W 223J 1608	N937L05211
R1053	103L29201	R-CHIP	RMC1/16471JTP	1/10W 471J 1608	N937L05211
R1054	103L29909	R-CHIP	RMC1/16JTP	1/10W 0 1608	N937L05211
R1055	103L29909	R-CHIP	RMC1/16JTP	1/10W 0 1608	N937L05211
R1056	103L29909	R-CHIP	RMC1/16JTP	1/10W 0 1608	N937L05211
R1057	103P51303	R-CHIP	RPC05T512F	1/10W 512F 1608	N937L05211
R1058	103P51303	R-CHIP	RPC05T512F	1/10W 512F 1608	N937L05211
R1059	103L29001	R-CHIP	RMC1/16100JTP	1/10W 100J 1608	N937L05211
R106	103P50309	R-CHIP	RMC1/16153FTP	1/10W 153F 1608	N931L16414
R1063	103L29909	R-CHIP	RMC1/16JTP	1/10W 0 1608	N937L05211
R1064	103L29009	R-CHIP	RMC1/16470JTP	1/10W 470J 1608	N937L05211

ELECTRICAL PARTS LIST

Ref. No.	Parts No.	Parts Name	Note	Spec.	Base Parts No.
R1065	103L29009	R-CHIP	RMC1/16470JTP	1/10W 470J 1608	N937L05211
R1066	103L29209	R-CHIP	RMC1/16222JTP	1/10W 222J 1608	N937L05211
R1067	103L29209	R-CHIP	RMC1/16222JTP	1/10W 222J 1608	N937L05211
R1069	103L29001	R-CHIP	RMC1/16100JTP	1/10W 100J 1608	N937L05211
R1070	103L29001	R-CHIP	RMC1/16100JTP	1/10W 100J 1608	N937L05211
R1071	103L29103	R-CHIP	RMC1/16101JTP	1/10W 101J 1608	N937L05211
R1072	103L29601	R-CHIP	RMC1/16105JTP	1/10W 105J 1608	N937L05211
R1073	103L29307	R-CHIP	RMC1/16103JTP	1/10W 103J 1608	N937L05211
R1074	103L29308	R-CHIP	RMC1/16123JTP	1/10W 123J 1608	N937L05211
R1075	103L29409	R-CHIP	RMC1/16104JTP	1/10W 104J 1608	N937L05211
R1076	103L29402	R-CHIP	RMC1/16273JTP	1/10W 273J 1608	N937L05211
R1077	103L29406	R-CHIP	RMC1/16563JTP	1/10W 563J 1608	N937L05211
R1079	103L29103	R-CHIP	RMC1/16101JTP	1/10W 101J 1608	N937L05211
R108	103L29309	R-CHIP	RMC1/16153JTP	1/10W 153J 1608	N937L05211
R1080	103L29205	R-CHIP	RMC1/16102JTP	1/10W 102J 1608	N937L05211
R1081	103L29301	R-CHIP	RMC1/16332JTP	1/10W 332J 1608	N937L05211
R1082	103L29301	R-CHIP	RMC1/16332JTP	1/10W 332J 1608	N937L05211
R1083	103L29505	R-CHIP	RMC1/16334JTP	1/10W 334J 1608	N937L05211
R1084	103L29508	R-CHIP	RMC1/16564JTP	1/10W 564J 1608	N937L05211
R1085	103P52849	R-CHIP	HPC05CT104D	1/16W 104D 1608	N937L05211
R1086	103P52840	R-CHIP	HPC05CT183D	1/16W 183D 1608	N937L05211
R1087	103P52843	R-CHIP	HPC05CT333D	1/16W 333D 1608	N937L05211
R1088	103P52837	R-CHIP	RGC1/16C103DTP	1/16W 103D 1608	N937L05211
R1089	103L29307	R-CHIP	RMC1/16103JTP	1/10W 103J 1608	N937L05211
R109	103L29405	R-CHIP	RMC1/16473JTP	1/10W 473J 1608	N937L05211
R1090	103L29207	R-CHIP	RMC1/16152JTP	1/10W 152J 1608	N937L05211
R1091	103L29109	R-CHIP	RMC1/16331JTP	1/10W 331J 1608	N937L05211
R1092	103L29205	R-CHIP	RMC1/16102JTP	1/10W 102J 1608	N937L05211
R1093	103L29909	R-CHIP	RMC1/161JTP	1/10W 0 1608	N937L05211
R1095	103L29303	R-CHIP	RMC1/16472JTP	1/10W 472J 1608	N937L05211
R1096	103L29303	R-CHIP	RMC1/16472JTP	1/10W 472J 1608	N937L05211
R1097	103L29909	R-CHIP	RMC1/161JTP	1/10W 0 1608	N937L05211
R1098	103P52843	R-CHIP	HPC05CT333D	1/16W 333D 1608	N937L05211
R1099	103P52841	R-CHIP	HPC05CT223D	1/16W 223D 1608	N937L05211
R110	103L29209	R-CHIP	RMC1/16222JTP	1/10W 222J 1608	N937L05211
R1100	103L29103	R-CHIP	RMC1/16101JTP	1/10W 101J 1608	N937L05211
R1101	103L29103	R-CHIP	RMC1/16101JTP	1/10W 101J 1608	N937L05211
R1102	103L29307	R-CHIP	RMC1/16103JTP	1/10W 103J 1608	N937L05211
R1103	103L29103	R-CHIP	RMC1/16101JTP	1/10W 101J 1608	N937L05211
R1104	103P52837	R-CHIP	RGC1/16C103DTP	1/16W 103D 1608	N937L05211
R1105	103P52929	R-CHIP	HPC05CT242D	1/16W 242D 1608	N937L05211
R1106	103P52836	R-CHIP	RGC1/16C822DTP	1/16W 822D 1608	N937L05211
R1107	103L29909	R-CHIP	RMC1/161JTP	1/10W 0 1608	N937L05211
R1108	103L29307	R-CHIP	RMC1/16103JTP	1/10W 103J 1608	N937L05211
R1109	103P52841	R-CHIP	HPC05CT223D	1/16W 223D 1608	N937L05211
R111	103L29209	R-CHIP	RMC1/16222JTP	1/10W 222J 1608	N937L05211
R1110	103L29909	R-CHIP	RMC1/161JTP	1/10W 0 1608	N937L05211
R1111	103P52829	R-CHIP	RGC1/16C222DTP	1/16W 222D 1608	N937L05211
R1112	103P52832	R-CHIP	HPC05CT392D	1/16W 392D 1608	N937L05211
R1113	103L29205	R-CHIP	RMC1/16102JTP	1/10W 102J 1608	N937L05211
R1115	103P52839	R-CHIP	RGC1/16C153DTP	1/16W 153D 1608	N937L05211
R1116	103P52845	R-CHIP	HPC05CT473D	1/16W 473D 1608	N937L05211
R1117	103L29103	R-CHIP	RMC1/16101JTP	1/10W 101J 1608	N937L05211
R1118	103L29307	R-CHIP	RMC1/16103JTP	1/10W 103J 1608	N937L05211
R1119	103P52845	R-CHIP	HPC05CT473D	1/16W 473D 1608	N937L05211
R112	103L29209	R-CHIP	RMC1/16222JTP	1/10W 222J 1608	N937L05211
R1120	103L29307	R-CHIP	RMC1/16103JTP	1/10W 103J 1608	N937L05211
R1121	103L29205	R-CHIP	RMC1/16102JTP	1/10W 102J 1608	N937L05211
R1122	103L29205	R-CHIP	RMC1/16102JTP	1/10W 102J 1608	N937L05211
R1123	103P52832	R-CHIP	HPC05CT392D	1/16W 392D 1608	N937L05211
R1124	103P52829	R-CHIP	RGC1/16C222DTP	1/16W 222D 1608	N937L05211
R1125	103P52829	R-CHIP	RGC1/16C222DTP	1/16W 222D 1608	N937L05211
R1126	103P52832	R-CHIP	HPC05CT392D	1/16W 392D 1608	N937L05211
R1127	103L29405	R-CHIP	RMC1/16473JTP	1/10W 473J 1608	N937L05211

Ref. No.	Parts No.	Parts Name	Note	Spec.	Base Parts No.
R1128	103L29307	R-CHIP	RMC1/16103JTP	1/10W 103J 1608	N937L05211
R1129	103L19001	R-CHIP	RMC1/10100JATP	1/8W 100J 2125	N937L05211
R1130	103L19001	R-CHIP	RMC1/10100JATP	1/8W 100J 2125	N937L05211
R1131	103L29103	R-CHIP	RMC1/16101JTP	1/10W 101J 1608	N937L05211
R1132	103L29103	R-CHIP	RMC1/16101JTP	1/10W 101J 1608	N937L05211
R1133	103L29103	R-CHIP	RMC1/16101JTP	1/10W 101J 1608	N937L05211
R1134	103L29307	R-CHIP	RMC1/16103JTP	1/10W 103J 1608	N937L05211
R1135	103L29307	R-CHIP	RMC1/16103JTP	1/10W 103J 1608	N937L05211
R1136	103L29307	R-CHIP	RMC1/16103JTP	1/10W 103J 1608	N937L05211
R1137	103L29405	R-CHIP	RMC1/16473JTP	1/10W 473J 1608	N937L05211
R1139	103L29909	R-CHIP	RMC1/161JTP	1/10W 0 1608	N937L05211
R1140	103P52841	R-CHIP	HPC05CT223D	1/16W 223D 1608	N937L05211
R1141	103P52945	R-CHIP	HPC05CT513D	1/16W 513D 1608	N937L05211
R1142	103P52843	R-CHIP	HPC05CT333D	1/16W 333D 1608	N937L05211
R1143	103P52843	R-CHIP	HPC05CT333D	1/16W 333D 1608	N937L05211
R1144	103L29307	R-CHIP	RMC1/16103JTP	1/10W 103J 1608	N937L05211
R1145	103L29909	R-CHIP	RMC1/161JTP	1/10W 0 1608	N937L05211
R1146	103P52841	R-CHIP	HPC05CT223D	1/16W 223D 1608	N937L05211
R1147	103P52945	R-CHIP	HPC05CT513D	1/16W 513D 1608	N937L05211
R1148	103L29202	R-CHIP	RMC1/16561JTP	1/10W 561J 1608	N937L05211
R1150	103P52849	R-CHIP	HPC05CT104D	1/16W 104D 1608	N937L05211
R1151	103L29308	R-CHIP	RMC1/16123JTP	1/10W 123J 1608	N937L05211
R1152	103P52857	R-CHIP	HPC05CT474D	1/16W 474D 1608	N937L05211
R1153	103P52857	R-CHIP	HPC05CT474D	1/16W 474D 1608	N937L05211
R1154	103L29001	R-CHIP	RMC1/16100JTP	1/10W 100J 1608	N937L05211
R1156	103L29107	R-CHIP	RMC1/16221JTP	1/10W 221J 1608	N937L05211
R1157	103L29107	R-CHIP	RMC1/16221JTP	1/10W 221J 1608	N937L05211
R1158	103L29503	R-CHIP	RMC1/16224JTP	1/10W 224J 1608	N937L05211
R1159	103L29301	R-CHIP	RMC1/16332JTP	1/10W 332J 1608	N937L05211
R1160	103L29103	R-CHIP	RMC1/16101JTP	1/10W 101J 1608	N937L05211
R1161	103L29205	R-CHIP	RMC1/16102JTP	1/10W 102J 1608	N937L05211
R1162	103L29107	R-CHIP	RMC1/16221JTP	1/10W 221J 1608	N937L05211
R1164	103L29107	R-CHIP	RMC1/16221JTP	1/10W 221J 1608	N937L05211
R1165	103L29103	R-CHIP	RMC1/16101JTP	1/10W 101J 1608	N937L05211
R1166	103L29103	R-CHIP	RMC1/16101JTP	1/10W 101J 1608	N937L05211
R1167	103L29103	R-CHIP	RMC1/16101JTP	1/10W 101J 1608	N937L05211
R1170	103L29103	R-CHIP	RMC1/16101JTP	1/10W 101J 1608	N937L05211
R1171	103L29103	R-CHIP	RMC1/16101JTP	1/10W 101J 1608	N937L05211
R1172	103L29103	R-CHIP	RMC1/16101JTP	1/10W 101J 1608	N937L05211
R1174	103L29103	R-CHIP	RMC1/16101JTP	1/10W 101J 1608	N937L05211
R1175	103L29103	R-CHIP	RMC1/16101JTP	1/10W 101J 1608	N937L05211
R1176	103L29205	R-CHIP	RMC1/16102JTP	1/10W 102J 1608	N937L05211
R1177	103L29205	R-CHIP	RMC1/16102JTP	1/10W 102J 1608	N937L05211
R1178	103L29103	R-CHIP	RMC1/16101JTP	1/10W 101J 1608	N937L05211
R1179	103P52945	R-CHIP	HPC05CT513D	1/16W 513D 1608	N937L05211
R1180	103P52833	R-CHIP	RGC1/16C472DTP	1/16W 472D 1608	N937L05211
R1181	103P52857	R-CHIP	HPC05CT474D	1/16W 474D 1608	N937L05211
R1182	103P52843	R-CHIP	HPC05CT333D	1/16W 333D 1608	N937L05211
R1183	103L29405	R-CHIP	RMC1/16473JTP	1/10W 473J 1608	N937L05211
R1184	103L29601	R-CHIP	RMC1/16105JTP	1/10W 105J 1608	N937L05211
R1185	103L29405	R-CHIP	RMC1/16473JTP	1/10W 473J 1608	N937L05211
R1189	103L29200	R-CHIP	RMC1/16391JTP	1/10W 391J 1608	N937L05211
R1191	103L29300	R-CHIP	RMC1/16272JTP	1/10W 272J 1608	N937L05211
R1192	103L29409	R-CHIP	RMC1/16104JTP	1/10W 104J 1608	N937L05211
R1193	103L29409	R-CHIP	RMC1/16104JTP	1/10W 104J 1608	N937L05211
R1194	103L29307	R-CHIP	RMC1/16103JTP	1/10W 103J 1608	N937L05211
R1195	103L29508	R-CHIP	RMC1/16564JTP	1/10W 564J 1608	N937L05211
R1196	103L29508	R-CHIP	RMC1/16564JTP	1/10W 564J 1608	N937L05211
R1197	103L29303	R-CHIP	RMC1/16472JTP	1/10W 472J 1608	N937L05211
R1198	103P52833	R-CHIP	RGC1/16C472DTP	1/16W 472D 1608	N937L05211
R1199	103P51208	R-CHIP	RPC05T202F	1/10W 202F 1608	N937L05211
R11P	103L29307	R-CHIP	RMC1/16103JTP	1/10W 103J 1608	N937L05211
R1200	103P52837	R-CHIP	RGC1/16C103DTP	1/16W 103D 1608	N937L05211
R1201	103P51208	R-CHIP	RPC05T202F	1/10W 202F 1608	N937L05211

ELECTRICAL PARTS LIST

Ref. No.	Parts No.	Parts Name	Note	Spec.	Base Parts No.
R142	103P50300	R-CHIP	RMC1/16272FTP	1/10W 272F 1608	N931L16414
R143	103P50308	R-CHIP	RMC1/16123FTP	1/10W 123F 1608	N931L16414
R144	103P50308	R-CHIP	RMC1/16123FTP	1/10W 123F 1608	N931L16414
R145	103P50309	R-CHIP	RMC1/16153FTP	1/10W 153F 1608	N931L16414
R146	103P50309	R-CHIP	RMC1/16153FTP	1/10W 153F 1608	N931L16414
R148	103L29309	R-CHIP	RMC1/16153JTP	1/10W 153J 1608	N937L05211
R149	103L29405	R-CHIP	RMC1/16473JTP	1/10W 473J 1608	N937L05211
R14P	103L29303	R-CHIP	RMC1/16472JTP	1/10W 472J 1608	N937L05211
R150	103L29209	R-CHIP	RMC1/16222JTP	1/10W 222J 1608	N937L05211
R151	103L29209	R-CHIP	RMC1/16222JTP	1/10W 222J 1608	N937L05211
R152	103L29209	R-CHIP	RMC1/16222JTP	1/10W 222J 1608	N937L05211
R161	103P50300	R-CHIP	RMC1/16272FTP	1/10W 272F 1608	N931L16414
R162	103P50300	R-CHIP	RMC1/16272FTP	1/10W 272F 1608	N931L16414
R163	103P50308	R-CHIP	RMC1/16123FTP	1/10W 123F 1608	N931L16414
R164	103P50308	R-CHIP	RMC1/16123FTP	1/10W 123F 1608	N931L16414
R165	103P50309	R-CHIP	RMC1/16153FTP	1/10W 153F 1608	N931L16414
R166	103P50309	R-CHIP	RMC1/16153FTP	1/10W 153F 1608	N931L16414
R168	103L29303	R-CHIP	RMC1/16153JTP	1/10W 153J 1608	N937L05211
R169	103L29405	R-CHIP	RMC1/16473JTP	1/10W 473J 1608	N937L05211
R170	103L29209	R-CHIP	RMC1/16222JTP	1/10W 222J 1608	N937L05211
R171	103L29209	R-CHIP	RMC1/16222JTP	1/10W 222J 1608	N937L05211
R172	103L29209	R-CHIP	RMC1/16222JTP	1/10W 222J 1608	N937L05211
R181	103L29205	R-CHIP	RMC1/16102JTP	1/10W 102J 1608	N937L05211
R182	103L29103	R-CHIP	RMC1/16101JTP	1/10W 101J 1608	N937L05211
R183	103L29303	R-CHIP	RMC1/16472JTP	1/10W 472J 1608	N937L05211
R191	103L29206	R-CHIP	RMC1/16122JTP	1/10W 122J 1608	N937L05211
R192	103L29303	R-CHIP	RMC1/16472JTP	1/10W 472J 1608	N937L05211
R1A1	103L29309	R-CHIP	RMC1/16153JTP	1/10W 153J 1608	N937L05211
R1A2	103L29309	R-CHIP	RMC1/16153JTP	1/10W 153J 1608	N937L05211
R1B1	103P50401	R-CHIP	RPC05T223F	1/10W 223F 1608	N931L16414
R1B2	103P50401	R-CHIP	RPC05T223F	1/10W 223F 1608	N931L16414
R1B3	103P50401	R-CHIP	RPC05T223F	1/10W 223F 1608	N931L16414
R1B4	103P50304	R-CHIP	RMC1/16562FTP	1/10W 562F 1608	N931L16414
R1B5	103P50304	R-CHIP	RMC1/16562FTP	1/10W 562F 1608	N931L16414
R1B6	103P50304	R-CHIP	RMC1/16562FTP	1/10W 562F 1608	N931L16414
R1C1	103P50402	R-CHIP	RMC1/16273FTP	1/10W 273F 1608	N931L16414
R1C2	103P50402	R-CHIP	RMC1/16273FTP	1/10W 273F 1608	N931L16414
R1C3	103P50402	R-CHIP	RMC1/16273FTP	1/10W 273F 1608	N931L16414
R1C4	103P50309	R-CHIP	RMC1/16153FTP	1/10W 153F 1608	N931L16414
R1C5	103P50309	R-CHIP	RMC1/16153FTP	1/10W 153F 1608	N931L16414
R1C6	103P50309	R-CHIP	RMC1/16153FTP	1/10W 153F 1608	N931L16414
R1D1	103P50306	R-CHIP	RMC1/16822FTP	1/10W 822F 1608	N931L16414
R1D2	103P50306	R-CHIP	RMC1/16822FTP	1/10W 822F 1608	N931L16414
R1D3	103P50306	R-CHIP	RMC1/16822FTP	1/10W 822F 1608	N931L16414
R1D4	103P50209	R-CHIP	RMC1/16222FTP	1/10W 222F 1608	N931L16414
R1D5	103P50209	R-CHIP	RMC1/16222FTP	1/10W 222F 1608	N931L16414
R1D6	103P50209	R-CHIP	RMC1/16222FTP	1/10W 222F 1608	N931L16414
R1G0	103L24103	R-CHIP	RMC1/8101JATP	1/4W 101J 3216	N931L16414
R1G1	103L29303	R-CHIP	RMC1/16472JTP	1/10W 472J 1608	N937L05211
R1G2	103L29303	R-CHIP	RMC1/16472JTP	1/10W 472J 1608	N937L05211
R1G3	103L29306	R-CHIP	RMC1/16822JTP	1/10W 822J 1608	N931L16414
R1G4	103L29306	R-CHIP	RMC1/16822JTP	1/10W 822J 1608	N931L16414
R1G5	103L29009	R-CHIP	RMC1/16470JTP	1/10W 470J 1608	N937L05211
R1G6	103L29009	R-CHIP	RMC1/16470JTP	1/10W 470J 1608	N937L05211
R1G8	103L24104	R-CHIP	RMC1/8121JATP	1/4W 121J 3216	N931L16414
R1G9	103L24103	R-CHIP	RMC1/8101JATP	1/4W 101J 3216	N931L16414
R1H2	103L24101	R-CHIP	RMC1/8680JATP	1/4W 680J 3216	N931L16414
R1H3	103L24103	R-CHIP	RMC1/8101JATP	1/4W 101J 3216	N931L16414
R1H4	103L24103	R-CHIP	RMC1/8101JATP	1/4W 101J 3216	N931L16414
R1H5	103L29303	R-CHIP	RMC1/16472JTP	1/10W 472J 1608	N937L05211
R1K1	103L29205	R-CHIP	RMC1/16102JTP	1/10W 102J 1608	N937L05211
R1K2	103L29400	R-CHIP	RMC1/16183JTP	1/10W 183J 1608	N931L16414
R1K3	103L29307	R-CHIP	RMC1/16103JTP	1/10W 103J 1608	N937L05211
R1K4	103L29307	R-CHIP	RMC1/16103JTP	1/10W 103J 1608	N937L05211

Ref. No.	Parts No.	Parts Name	Note	Spec.	Base Parts No.
R1K5	103L29307	R-CHIP	RMC1/16103JTP	1/10W 103J 1608	N937L05211
R1K6	103L29304	R-CHIP	RMC1/16562JTP	1/10W 562J 1608	N931L16414
R1K7	103L29505	R-CHIP	RMC1/16334JTP	1/10W 334J 1608	N937L05211
R1K8	103L24205	R-CHIP	RMC1/8102JATP	1/4W 102J 3216	N931L16414
R1K9	103L29205	R-CHIP	RMC1/16102JTP	1/10W 102J 1608	N937L05211
R1L1	103L29205	R-CHIP	RMC1/16102JTP	1/10W 102J 1608	N937L05211
R1L2	103L29400	R-CHIP	RMC1/16183JTP	1/10W 183J 1608	N931L16414
R1L3	103L29307	R-CHIP	RMC1/16103JTP	1/10W 103J 1608	N937L05211
R1L4	103L29307	R-CHIP	RMC1/16103JTP	1/10W 103J 1608	N937L05211
R1L5	103L29307	R-CHIP	RMC1/16103JTP	1/10W 103J 1608	N937L05211
R1L6	103L29304	R-CHIP	RMC1/16562JTP	1/10W 562J 1608	N931L16414
R1L7	103L29505	R-CHIP	RMC1/16334JTP	1/10W 334J 1608	N937L05211
R1P1	103L29307	R-CHIP	RMC1/16103JTP	1/10W 103J 1608	N937L05211
R1P2	103L29405	R-CHIP	RMC1/16473JTP	1/10W 473J 1608	N937L05211
R1P4	103L29307	R-CHIP	RMC1/16103JTP	1/10W 103J 1608	N937L05211
R201	103L29909	R-CHIP	RMC1/1610JTP	1/10W 0 1608	N937L05211
R202	103L29405	R-CHIP	RMC1/16473JTP	1/10W 473J 1608	N937L05211
R203	103L29405	R-CHIP	RMC1/16473JTP	1/10W 473J 1608	N937L05211
R204	103L29401	R-CHIP	RMC1/16223JTP	1/10W 223J 1608	N937L05211
R205	103L29307	R-CHIP	RMC1/16103JTP	1/10W 103J 1608	N937L05211
R208	103L29205	R-CHIP	RMC1/16102JTP	1/10W 102J 1608	N937L05211
R209	103L29205	R-CHIP	RMC1/16102JTP	1/10W 102J 1608	N937L05211
R210	103L29405	R-CHIP	RMC1/16473JTP	1/10W 473J 1608	N937L05211
R211	103L29909	R-CHIP	RMC1/1610JTP	1/10W 0 1608	N937L05211
R212	103L29307	R-CHIP	RMC1/16103JTP	1/10W 103J 1608	N937L05211
R214	103L29401	R-CHIP	RMC1/16223JTP	1/10W 223J 1608	N937L05211
R220	103L29405	R-CHIP	RMC1/16473JTP	1/10W 473J 1608	N937L05211
R221	103L29405	R-CHIP	RMC1/16473JTP	1/10W 473J 1608	N937L05211
R222	103L29304	R-CHIP	RMC1/16562JTP	1/10W 562J 1608	N931L16414
R223	103L29403	R-CHIP	RMC1/16333JTP	1/10W 333J 1608	N931L16414
R224	103L29301	R-CHIP	RMC1/16332JTP	1/10W 332J 1608	N937L05211
R225	103L29206	R-CHIP	RMC1/16122JTP	1/10W 122J 1608	N937L05211
R226	103L29505	R-CHIP	RMC1/16224JTP	1/10W 224J 1608	N937L05211
R227	103L29405	R-CHIP	RMC1/16473JTP	1/10W 473J 1608	N937L05211
R228	103L29405	R-CHIP	RMC1/16473JTP	1/10W 473J 1608	N937L05211
R229	103L29405	R-CHIP	RMC1/16473JTP	1/10W 473J 1608	N937L05211
R230	103L29307	R-CHIP	RMC1/16103JTP	1/10W 103J 1608	N937L05211
R231	103L29405	R-CHIP	RMC1/16473JTP	1/10W 473J 1608	N937L05211
R232	103L29409	R-CHIP	RMC1/16104JTP	1/10W 104J 1608	N937L05211
R233	103L29307	R-CHIP	RMC1/16103JTP	1/10W 103J 1608	N937L05211
R234	103L29401	R-CHIP	RMC1/16223JTP	1/10W 223J 1608	N937L05211
R247	103L19307	R-CHIP	RMC1/10103JATP	1/8W 103J 2125	N931L16414
R248	103L25303	R-CHIP	RMC1/10472FATP	1/8W 472F 2125	N931L16414
R250	103P50309	R-CHIP	RMC1/16153FTP	1/10W 153F 1608	N931L16414
R251	103L29307	R-CHIP	RMC1/16103JTP	1/10W 103J 1608	N937L05211
R252	103P50309	R-CHIP	RMC1/16153FTP	1/10W 153F 1608	N931L16414
R253	109P01218	R-NETWORK-CHIP	RAC164D102JCTP	1/16W 102J 3216	N931L16414
R255	103L29307	R-CHIP	RMC1/16103JTP	1/10W 103J 1608	N937L05211
R256	109P01230	R-NETWORK-CHIP	RAC164D224JCTP	1/16W 224J 3216	N931L16414
R258	103L29909	R-CHIP	RMC1/1610JTP	1/10W 0 1608	N937L05211
R261	103L29405	R-CHIP	RMC1/16473JTP	1/10W 473J 1608	N937L05211
R263	103L29307	R-CHIP	RMC1/16103JTP	1/10W 103J 1608	N937L05211
R264	103L29307	R-CHIP	RMC1/16103JTP	1/10W 103J 1608	N937L05211
R265	103L29205	R-CHIP	RMC1/16102JTP	1/10W 102J 1608	N937L05211
R266	103L29405	R-CHIP	RMC1/16473JTP	1/10W 473J 1608	N937L05211
R267	103L29205	R-CHIP	RMC1/16102JTP	1/10W 102J 1608	N937L05211
R268	103L29209	R-CHIP	RMC1/16222JTP	1/10W 222J 1608	N937L05211
R269	103L29209	R-CHIP	RMC1/16222JTP	1/10W 222J 1608	N937L05211
R26P	103L29307	R-CHIP	RMC1/16103JTP	1/10W 103J 1608	N937L05211
R271	103L29309	R-CHIP	RMC1/16153JTP	1/10W 153J 1608	N937L05211
R27P	103L29909	R-CHIP	RMC1/1610JTP	1/10W 0 1608	N937L05211
R283	103L29307	R-CHIP	RMC1/16103JTP	1/10W 103J 1608	N937L05211
R286	109P01213	R-NETWORK-CHIP	RAC164D103JCTP	1/16W 103J 3216	N931L16414
R287	103L29405	R-CHIP	RMC1/16473JTP	1/10W 473J 1608	N937L05211

ELECTRICAL PARTS LIST

Ref. No.	Parts No.	Parts Name	Note	Spec.	Base Parts No.
R288	109P01216	R-NETWORK-CHIP	RAC164D473JCTP	1/16W 473J 3216	N937L16414
R2A1	103L29409	R-CHIP	RMC1/16104JTP	1/10W 104J 1608	N937L05211
R2A4	103L24201	R-CHIP	RMC1/8471JATP	1/4W 471J 3216	N937L16414
R2A5	103L24201	R-CHIP	RMC1/8471JATP	1/4W 471J 3216	N937L16414
R2A6	103L29209	R-CHIP	RMC1/16222JTP	1/10W 222J 1608	N937L05211
R2A7	103L29401	R-CHIP	RMC1/16223JTP	1/10W 223J 1608	N937L05211
R2A8	103L29307	R-CHIP	RMC1/16103JTP	1/10W 103J 1608	N937L05211
R2B0	103L24405	R-CHIP	RMC1/8473JATP	1/4W 473J 3216	N937L16414
R2B2	103L19409	R-CHIP	RMC1/10104JATP	1/8W 104J 2125	N937L16414
R2B3	103P52131	R-CHIP	RMC1/8K332FATP	1/4W 332F 3216	N937L16414
R2B4	103P52228	R-CHIP	RMC1/8K202FATP	1/4W 202F 3216	N937L16414
R2B5	103L19405	R-CHIP	RMC1/10473JATP	1/8W 473J 2125	N937L16414
R2F1	103P50303	R-CHIP	RMC1/16472FTP	1/10W 472F 1608	N937L16414
R2F2	103P50303	R-CHIP	RMC1/16472FTP	1/10W 472F 1608	N937L16414
R2F3	103P50306	R-CHIP	RMC1/16822FTP	1/10W 822F 1608	N937L16414
R2F4	103P50306	R-CHIP	RMC1/16822FTP	1/10W 822F 1608	N937L16414
R2F5	103L29307	R-CHIP	RMC1/16103JTP	1/10W 103J 1608	N937L05211
R2F6	103L29307	R-CHIP	RMC1/16103JTP	1/10W 103J 1608	N937L05211
R2F8	103L29405	R-CHIP	RMC1/16473JTP	1/10W 473J 1608	N937L05211
R2G1	103L29909	R-CHIP	RMC1/161JTP	1/10W 0 1608	N937L05211
R2G2	103L29909	R-CHIP	RMC1/161JTP	1/10W 0 1608	N937L05211
R2L4	109P01218	R-NETWORK-CHIP	RAC164D102JCTP	1/16W 102J 3216	N937L16414
R2P1	103L29303	R-CHIP	RMC1/16472JTP	1/10W 472J 1608	N937L05211
R2P2	103L29206	R-CHIP	RMC1/16122JTP	1/10W 122J 1608	N937L05211
R2V0	103L29205	R-CHIP	RMC1/16102JTP	1/10W 102J 1608	N937L05211
R2V1	103L29303	R-CHIP	RMC1/16472JTP	1/10W 472J 1608	N937L05211
R2V2	103L29307	R-CHIP	RMC1/16103JTP	1/10W 103J 1608	N937L05211
R2V3	103L29307	R-CHIP	RMC1/16103JTP	1/10W 103J 1608	N937L05211
R2V4	103L29103	R-CHIP	RMC1/16101JTP	1/10W 101J 1608	N937L05211
R2V5	103L29207	R-CHIP	RMC1/16152JTP	1/10W 152J 1608	N937L05211
R2V6	103L29405	R-CHIP	RMC1/16473JTP	1/10W 473J 1608	N937L05211
R2W0	103L29401	R-CHIP	RMC1/16223JTP	1/10W 223J 1608	N937L05211
R2W1	103L24806	R-CHIP	RMC1/83R3JATP	1/4W 3R3J 3216	N937L16414
R2W2	103L24806	R-CHIP	RMC1/83R3JATP	1/4W 3R3J 3216	N937L16414
R2W3	103L29301	R-CHIP	RMC1/16332JTP	1/10W 332J 1608	N937L05211
R2W4	103L29301	R-CHIP	RMC1/16332JTP	1/10W 332J 1608	N937L05211
R2W5	103L29401	R-CHIP	RMC1/16223JTP	1/10W 223J 1608	N937L05211
R2W6	103L24800	R-CHIP	RMC1/81R0JATP	1/4W 1R0J 3216	N937L16414
R2Z1	103L29409	R-CHIP	RMC1/16104JTP	1/10W 104J 1608	N937L05211
R2Z5	103L29409	R-CHIP	RMC1/16104JTP	1/10W 104J 1608	N937L05211
R2Z6	103L29007	R-CHIP	RMC1/16330JTP	1/10W 330J 1608	N937L16414
R2Z7	103L29909	R-CHIP	RMC1/161JTP	1/10W 0 1608	N937L05211
R301	103L29909	R-CHIP	RMC1/161JTP	1/10W 0 1608	N937L05211
R302	103L29909	R-CHIP	RMC1/161JTP	1/10W 0 1608	N937L05211
R310	103P15005	R-CHIP	RMC1/16S220JTH	1/16W 220J 1005	N937L16612
R311	103P15103	R-CHIP	RMC1/16S101JTH	1/16W 101J 1005	N937L16612
R312	103P15005	R-CHIP	RMC1/16S220JTH	1/16W 220J 1005	N937L16612
R313	103P15005	R-CHIP	RMC1/16S220JTH	1/16W 220J 1005	N937L16612
R314	103P15307	R-CHIP	RMC1/16S103JTH	1/16W 103J 1005	N937L16612
R315	103P15909	R-CHIP	RMC1/16S103JTH	1/16W 0 1005	N937L16612
R316	103P15005	R-CHIP	RMC1/16S220JTH	1/16W 220J 1005	N937L16612
R318	103P15205	R-CHIP	RMC1/16S102JTH	1/16W 102J 1005	N937L16612
R319	103P15103	R-CHIP	RMC1/16S101JTH	1/16W 101J 1005	N937L16612
R320	103P11401	R-CHIP	RGC1/16SC223DTH	1/16W 223D 1005	N937L16612
R324	103P11401	R-CHIP	RGC1/16SC223DTH	1/16W 223D 1005	N937L16612
R328	103P15307	R-CHIP	RMC1/16S103JTH	1/16W 103J 1005	N937L16612
R329	103P15909	R-CHIP	RMC1/16S103JTH	1/16W 0 1005	N937L16612
R330	103P15307	R-CHIP	RMC1/16S103JTH	1/16W 103J 1005	N937L16612
R331	103P15307	R-CHIP	RMC1/16S103JTH	1/16W 103J 1005	N937L16612
R332	103P15005	R-CHIP	RMC1/16S220JTH	1/16W 220J 1005	N937L16612
R335	103P15307	R-CHIP	RMC1/16S103JTH	1/16W 103J 1005	N937L16612
R336	103P15307	R-CHIP	RMC1/16S103JTH	1/16W 103J 1005	N937L16612
R337	103P15307	R-CHIP	RMC1/16S103JTH	1/16W 103J 1005	N937L16612
R350	103P15307	R-CHIP	RMC1/16S103JTH	1/16W 103J 1005	N937L16612

Ref. No.	Parts No.	Parts Name	Note	Spec.	Base Parts No.
R353	103P15101	R-CHIP	RMC1/16S680JTH	1/16W 680J 1005	N937L16612
R354	103P15007	R-CHIP	RMC1/16S330JTH	1/16W 330J 1005	N937L16612
R358	103P15101	R-CHIP	RMC1/16S680JTH	1/16W 680J 1005	N937L16612
R359	103P15101	R-CHIP	RMC1/16S680JTH	1/16W 680J 1005	N937L16612
R360	103P15101	R-CHIP	RMC1/16S680JTH	1/16W 680J 1005	N937L16612
R361	103P15307	R-CHIP	RMC1/16S103JTH	1/16W 103J 1005	N937L16612
R362	103P15307	R-CHIP	RMC1/16S103JTH	1/16W 103J 1005	N937L16612
R363	103P15101	R-CHIP	RMC1/16S680JTH	1/16W 680J 1005	N937L16612
R364	103P15101	R-CHIP	RMC1/16S680JTH	1/16W 680J 1005	N937L16612
R365	103P15101	R-CHIP	RMC1/16S680JTH	1/16W 680J 1005	N937L16612
R366	103P15101	R-CHIP	RMC1/16S680JTH	1/16W 680J 1005	N937L16612
R367	103P11307	R-CHIP	RGC1/16SC103DTH	1/16W 103D 1005	N937L16612
R368	103P15307	R-CHIP	RMC1/16S103JTH	1/16W 103J 1005	N937L16612
R369	103P11402	R-CHIP	RGC1/16SC273DTH	1/16W 273D 1005	N937L16612
R370	103P52816	R-CHIP	RGC1/16C181DTP	1/16W 181D 1608	N937L16612
R371	103P52816	R-CHIP	RGC1/16C181DTP	1/16W 181D 1608	N937L16612
R372	103P52816	R-CHIP	RGC1/16C181DTP	1/16W 181D 1608	N937L16612
R374	103P15007	R-CHIP	RMC1/16S330JTH	1/16W 330J 1005	N937L16612
R375	103P15007	R-CHIP	RMC1/16S330JTH	1/16W 330J 1005	N937L16612
R376	103P15307	R-CHIP	RMC1/16S103JTH	1/16W 103J 1005	N937L16612
R377	103P15909	R-CHIP	RMC1/16S103JTH	1/16W 0 1005	N937L16612
R382	103P15307	R-CHIP	RMC1/16S103JTH	1/16W 103J 1005	N937L16612
R383	103P15909	R-CHIP	RMC1/16S103JTH	1/16W 0 1005	N937L16612
R384	103P15101	R-CHIP	RMC1/16S680JTH	1/16W 680J 1005	N937L16612
R385	103P15101	R-CHIP	RMC1/16S680JTH	1/16W 680J 1005	N937L16612
R386	103P15101	R-CHIP	RMC1/16S680JTH	1/16W 680J 1005	N937L16612
R387	103P15101	R-CHIP	RMC1/16S680JTH	1/16W 680J 1005	N937L16612
R388	103P15101	R-CHIP	RMC1/16S680JTH	1/16W 680J 1005	N937L16612
R389	103P15101	R-CHIP	RMC1/16S680JTH	1/16W 680J 1005	N937L16612
R391	103P15307	R-CHIP	RMC1/16S103JTH	1/16W 103J 1005	N937L16612
R392	103P15005	R-CHIP	RMC1/16S220JTH	1/16W 220J 1005	N937L16612
R393	103P15303	R-CHIP	RMC1/16S472JTH	1/16W 472J 1005	N937L16612
R394	103P15601	R-CHIP	RMC1/16S105JTH	1/16W 105J 1005	N937L16612
R395	103P15303	R-CHIP	RMC1/16S472JTH	1/16W 472J 1005	N937L16612
R396	103P15909	R-CHIP	RMC1/16S103JTH	1/16W 0 1005	N937L16612
R397	103P15205	R-CHIP	RMC1/16S102JTH	1/16W 102J 1005	N937L16612
R398	103P15303	R-CHIP	RMC1/16S472JTH	1/16W 472J 1005	N937L16612
R399	103P15307	R-CHIP	RMC1/16S103JTH	1/16W 103J 1005	N937L16612
R3A1	103P15209	R-CHIP	RMC1/16S222JTH	1/16W 222J 1005	N937L16612
R3A2	103P15205	R-CHIP	RMC1/16S102JTH	1/16W 102J 1005	N937L16612
R3A3	103P15205	R-CHIP	RMC1/16S102JTH	1/16W 102J 1005	N937L16612
R3A4	103P15307	R-CHIP	RMC1/16S103JTH	1/16W 103J 1005	N937L16612
R3A5	103P15307	R-CHIP	RMC1/16S103JTH	1/16W 103J 1005	N937L16612
R3A6	103P15205	R-CHIP	RMC1/16S102JTH	1/16W 102J 1005	N937L16612
R3A7	103P15205	R-CHIP	RMC1/16S102JTH	1/16W 102J 1005	N937L16612
R3A9	103P15205	R-CHIP	RMC1/16S102JTH	1/16W 102J 1005	N937L16612
R3B0	103P15205	R-CHIP	RMC1/16S102JTH	1/16W 102J 1005	N937L16612
R3B2	103P15909	R-CHIP	RMC1/16S103JTH	1/16W 0 1005	N937L16612
R3B5	103P15307	R-CHIP	RMC1/16S103JTH	1/16W 103J 1005	N937L16612
R3B7	103P15307	R-CHIP	RMC1/16S103JTH	1/16W 103J 1005	N937L16612
R3C0	103P15307	R-CHIP	RMC1/16S103JTH	1/16W 103J 1005	N937L16612
R3C1	103P15307	R-CHIP	RMC1/16S103JTH	1/16W 103J 1005	N937L16612
R3C2	103P15307	R-CHIP	RMC1/16S103JTH	1/16W 103J 1005	N937L16612
R3C3	103P15307	R-CHIP	RMC1/16S103JTH	1/16W 103J 1005	N937L16612
R3C4	103P15307	R-CHIP	RMC1/16S103JTH	1/16W 103J 1005	N937L16612
R430	103P15208	R-CHIP	RMC1/16S182JTH	1/16W 182J 1005	N937L16612
R431	103P15307	R-CHIP	RMC1/16S103JTH	1/16W 103J 1005	N937L16612
R432	103P15303	R-CHIP	RMC1/16S472JTH	1/16W 472J 1005	N937L16612
R433	103P15303	R-CHIP	RMC1/16S472JTH	1/16W 472J 1005	N937L16612
R434	103P15007	R-CHIP	RMC1/16S330JTH	1/16W 330J 1005	N937L16612
R435	103P15007	R-CHIP	RMC1/16S330JTH	1/16W 330J 1005	N937L16612
R436	103P15007	R-CHIP	RMC1/16S330JTH	1/16W 330J 1005	N937L16612
R437	103P15007	R-CHIP	RMC1/16S330JTH	1/16W 330J 1005	N937L16612
R438	103P15007	R-CHIP	RMC1/16S330JTH	1/16W 330J 1005	N937L16612

ELECTRICAL PARTS LIST

Ref. No.	Parts No.	Parts Name	Note	Spec.	Base Parts No.
R5C0	103P15909	R-CHIP	RMC1/16SJPTH	1/16W 0 1005	N937L16612
R5C1	103P15909	R-CHIP	RMC1/16SJPTH	1/16W 0 1005	N937L16612
R601	103P15307	R-CHIP	RMC1/16S103JTH	1/16W 103J 1005	N937L16612
R602	103P15307	R-CHIP	RMC1/16S103JTH	1/16W 103J 1005	N937L16612
R603	103P15101	R-CHIP	RMC1/16S680JTH	1/16W 680J 1005	N937L16612
R604	103P15307	R-CHIP	RMC1/16S103JTH	1/16W 103J 1005	N937L16612
R605	103P15101	R-CHIP	RMC1/16S680JTH	1/16W 680J 1005	N937L16612
R606	103P15101	R-CHIP	RMC1/16S680JTH	1/16W 680J 1005	N937L16612
R610	103P15101	R-CHIP	RMC1/16S680JTH	1/16W 680J 1005	N937L16612
R611	103P15307	R-CHIP	RMC1/16S103JTH	1/16W 103J 1005	N937L16612
R614	103P15307	R-CHIP	RMC1/16S103JTH	1/16W 103J 1005	N937L16612
R616	103P11307	R-CHIP	RGC1/16SC103DTH	1/16W 103D 1005	N937L16612
R618	103P11600	R-CHIP	RGC1/16SC824DTH	1/16W 824D 1005	N937L27117
R619	103P15307	R-CHIP	RMC1/16S103JTH	1/16W 103J 1005	N937L16612
R620	103P15101	R-CHIP	RMC1/16S680JTH	1/16W 680J 1005	N937L16612
R622	103P15909	R-CHIP	RMC1/16SJPTH	1/16W 0 1005	N937L16612
R624	103P15307	R-CHIP	RMC1/16S103JTH	1/16W 103J 1005	N937L16612
R625	103P15303	R-CHIP	RMC1/16S472JTH	1/16W 472J 1005	N937L16612
R626	103P15307	R-CHIP	RMC1/16S103JTH	1/16W 103J 1005	N937L16612
R627	103P15303	R-CHIP	RMC1/16S472JTH	1/16W 472J 1005	N937L16612
R628	103P15307	R-CHIP	RMC1/16S103JTH	1/16W 103J 1005	N937L16612
R630	103P15307	R-CHIP	RMC1/16S103JTH	1/16W 103J 1005	N937L16612
R631	103P15307	R-CHIP	RMC1/16S103JTH	1/16W 103J 1005	N937L16612
R632	103P15303	R-CHIP	RMC1/16S472JTH	1/16W 472J 1005	N937L16612
R633	103P15307	R-CHIP	RMC1/16S103JTH	1/16W 103J 1005	N937L16612
R634	103L19103	R-CHIP	RMC1/10101JATP	1/8W 101J 2125	N937L27117
R635	103L19103	R-CHIP	RMC1/10101JATP	1/8W 101J 2125	N937L27117
R636	103P15307	R-CHIP	RMC1/16S103JTH	1/16W 103J 1005	N937L16612
R638	103P15307	R-CHIP	RMC1/16S103JTH	1/16W 103J 1005	N937L16612
R640	103P15103	R-CHIP	RMC1/16S101JTH	1/16W 101J 1005	N937L16612
R641	103L19103	R-CHIP	RMC1/10101JATP	1/8W 101J 2125	N937L27117
R643	103P15601	R-CHIP	RMC1/16S105JTH	1/16W 105J 1005	N937L16612
R644	103P15601	R-CHIP	RMC1/16S105JTH	1/16W 105J 1005	N937L16612
R645	103P15601	R-CHIP	RMC1/16S105JTH	1/16W 105J 1005	N937L16612
R647	103P50102	R-CHIP	RPC05T820F	1/10W 820F 1608	N937L27117
R648	103L19601	R-CHIP	RMC1/10105JATP	1/8W 105J 2125	N937L27117
R649	103P15601	R-CHIP	RMC1/16S105JTH	1/16W 105J 1005	N937L16612
R650	103P15601	R-CHIP	RMC1/16S105JTH	1/16W 105J 1005	N937L16612
R651	103P52115	R-CHIP	RMC1/8K151FATP	1/4W 151F 3216	N937L27117
R652	103P52115	R-CHIP	RMC1/8K151FATP	1/4W 151F 3216	N937L27117
R653	103P15103	R-CHIP	RMC1/16S101JTH	1/16W 101J 1005	N937L16612
R654	103P15103	R-CHIP	RMC1/16S101JTH	1/16W 101J 1005	N937L16612
R655	103P52211	R-CHIP	RMC1/8K750FATP	1/4W 750F 3216	N937L27117
R656	103P15601	R-CHIP	RMC1/16S105JTH	1/16W 105J 1005	N937L16612
R657	103P15601	R-CHIP	RMC1/16S105JTH	1/16W 105J 1005	N937L16612
R658	103L19601	R-CHIP	RMC1/10105JATP	1/8W 105J 2125	N937L27117
R659	103P15601	R-CHIP	RMC1/16S105JTH	1/16W 105J 1005	N937L16612
R660	103L19601	R-CHIP	RMC1/10105JATP	1/8W 105J 2125	N937L27117
R661	103L19601	R-CHIP	RMC1/10105JATP	1/8W 105J 2125	N937L27117
R662	103L24101	R-CHIP	RMC1/8680JATP	1/4W 680J 3216	N931L16414
R663	103P52115	R-CHIP	RMC1/8K151FATP	1/4W 151F 3216	N937L27117
R664	103P52115	R-CHIP	RMC1/8K151FATP	1/4W 151F 3216	N937L27117
R665	103P52115	R-CHIP	RMC1/8K151FATP	1/4W 151F 3216	N937L27117
R666	103P52115	R-CHIP	RMC1/8K151FATP	1/4W 151F 3216	N937L27117
R668	103P15409	R-CHIP	RMC1/16S104JTH	1/16W 104J 1005	N937L16612
R671	103P15409	R-CHIP	RMC1/16S104JTH	1/16W 104J 1005	N937L16612
R672	103L24205	R-CHIP	RMC1/8102JATP	1/4W 102J 3216	N931L16414
R673	103L24909	R-CHIP	RMC1/8JPATP	1/4W 0 3216	N931L16414
R674	103P15001	R-CHIP	RMC1/16S100JTH	1/16W 100J 1005	N937L27117
R675	103L24205	R-CHIP	RMC1/8102JATP	1/4W 102J 3216	N931L16414
R676	103L24909	R-CHIP	RMC1/8JPATP	1/4W 0 3216	N931L16414
R677	103P15001	R-CHIP	RMC1/16S100JTH	1/16W 100J 1005	N937L27117
R678	103L24205	R-CHIP	RMC1/8102JATP	1/4W 102J 3216	N931L16414
R679	103L24909	R-CHIP	RMC1/8JPATP	1/4W 0 3216	N931L16414

Ref. No.	Parts No.	Parts Name	Note	Spec.	Base Parts No.
R680	103P15001	R-CHIP	RMC1/16S100JTH	1/16W 100J 1005	N937L27117
R681	103L19103	R-CHIP	RMC1/10101JATP	1/8W 101J 2125	N937L27117
R682	103L19103	R-CHIP	RMC1/10101JATP	1/8W 101J 2125	N937L27117
R691	103P11307	R-CHIP	RGC1/16SC103DTH	1/16W 103D 1005	N937L16612
R694	103P11307	R-CHIP	RGC1/16SC103DTH	1/16W 103D 1005	N937L16612
R696	103P15307	R-CHIP	RMC1/16S103JTH	1/16W 103J 1005	N937L16612
R697	103P15503	R-CHIP	RMC1/16S224JTH	1/16W 224J 1005	N937L27117
R6A5	103P15503	R-CHIP	RMC1/16S224JTH	1/16W 224J 1005	N937L27117
R6A6	103P15307	R-CHIP	RMC1/16S103JTH	1/16W 103J 1005	N937L16612
R6A7	103L19401	R-CHIP	RMC1/10223JATP	1/8W 223J 2125	N937L27117
R6A8	103L19107	R-CHIP	RMC1/10221JATP	1/8W 221J 2125	N937L27117
R6A9	103P11307	R-CHIP	RGC1/16SC103DTH	1/16W 103D 1005	N937L16612
R6B0	103P15307	R-CHIP	RMC1/16S103JTH	1/16W 103J 1005	N937L16612
R6B1	103P11401	R-CHIP	RGC1/16SC223DTH	1/16W 223D 1005	N937L16612
R6B2	103P11403	R-CHIP	RGC1/16SC333DTH	1/16W 333D 1005	N937L27117
R6B3	103P11401	R-CHIP	RGC1/16SC223DTH	1/16W 223D 1005	N937L16612
R6B8	103P15303	R-CHIP	RMC1/16S472JTH	1/16W 472J 1005	N937L16612
R6B9	103P15205	R-CHIP	RMC1/16S102JTH	1/16W 102J 1005	N937L16612
R6C0	103P15205	R-CHIP	RMC1/16S102JTH	1/16W 102J 1005	N937L16612
R6C1	103P15205	R-CHIP	RMC1/16S102JTH	1/16W 102J 1005	N937L16612
R6C2	103P15007	R-CHIP	RMC1/16S330JTH	1/16W 330J 1005	N937L16612
R6C3	103P15101	R-CHIP	RMC1/16S680JTH	1/16W 680J 1005	N937L16612
R6C4	103P15101	R-CHIP	RMC1/16S680JTH	1/16W 680J 1005	N937L16612
R6C5	103P15405	R-CHIP	RMC1/16S473JTH	1/16W 473J 1005	N937L27117
R6C6	103P15307	R-CHIP	RMC1/16S103JTH	1/16W 103J 1005	N937L16612
R6C9	103P15401	R-CHIP	RMC1/16S223JTH	1/16W 223J 1005	N937L16612
R6D0	103P15401	R-CHIP	RMC1/16S223JTH	1/16W 223J 1005	N937L16612
R6D1	103P15401	R-CHIP	RMC1/16S223JTH	1/16W 223J 1005	N937L16612
R6D2	103P15401	R-CHIP	RMC1/16S223JTH	1/16W 223J 1005	N937L16612
R6D5	351P09602	COIL-CHIP	BK1608TS601-T	TS601 1608	N927L91811
R6D7	103P15101	R-CHIP	RMC1/16S680JTH	1/16W 680J 1005	N937L16612
R6D8	103P15307	R-CHIP	RMC1/16S103JTH	1/16W 103J 1005	N937L16612
R6D9	351P09602	COIL-CHIP	BK1608TS601-T	TS601 1608	N927L91811
R6E1	103P15205	R-CHIP	RMC1/16S102JTH	1/16W 102J 1005	N937L16612
R6E5	103P15205	R-CHIP	RMC1/16S102JTH	1/16W 102J 1005	N937L16612
R6E7	103P15307	R-CHIP	RMC1/16S103JTH	1/16W 103J 1005	N937L16612
R6F9	103P15307	R-CHIP	RMC1/16S103JTH	1/16W 103J 1005	N937L16612
R6G0	103P15307	R-CHIP	RMC1/16S103JTH	1/16W 103J 1005	N937L16612
R6G1	103P15307	R-CHIP	RMC1/16S103JTH	1/16W 103J 1005	N937L16612
R6H0	103P15307	R-CHIP	RMC1/16S103JTH	1/16W 103J 1005	N937L16612
R6H2	103P15303	R-CHIP	RMC1/16S472JTH	1/16W 472J 1005	N937L16612
R6H3	103P15307	R-CHIP	RMC1/16S103JTH	1/16W 103J 1005	N937L16612
R6H4	103P15303	R-CHIP	RMC1/16S472JTH	1/16W 472J 1005	N937L16612
R6H5	103P15101	R-CHIP	RMC1/16S680JTH	1/16W 680J 1005	N937L16612
R6H6	103P15101	R-CHIP	RMC1/16S680JTH	1/16W 680J 1005	N937L16612
R6H7	103P15101	R-CHIP	RMC1/16S680JTH	1/16W 680J 1005	N937L16612
R6H9	103P15307	R-CHIP	RMC1/16S103JTH	1/16W 103J 1005	N937L16612
R6J0	103P15307	R-CHIP	RMC1/16S103JTH	1/16W 103J 1005	N937L16612
R6J1	103P15101	R-CHIP	RMC1/16S680JTH	1/16W 680J 1005	N937L16612
R6J2	103P15101	R-CHIP	RMC1/16S680JTH	1/16W 680J 1005	N937L16612
R6K1	103L29303	R-CHIP	RMC1/16472JTP	1/10W 472J 1608	N937L05211
R6K2	103L29909	R-CHIP	RMC1/16JTP	1/10W 0 1608	N937L05211
R6K3	103P15101	R-CHIP	RMC1/16S680JTH	1/16W 680J 1005	N937L16612
R6K4	103L19307	R-CHIP	RMC1/10103JATP	1/8W 103J 2125	N931L16414
R6K5	103L19307	R-CHIP	RMC1/10103JATP	1/8W 103J 2125	N931L16414
R6K7	103L29909	R-CHIP	RMC1/16JTP	1/10W 0 1608	N937L05211
R6K8	103L29909	R-CHIP	RMC1/16JTP	1/10W 0 1608	N937L05211
R6L1	103P15307	R-CHIP	RMC1/16S103JTH	1/16W 103J 1005	N937L16612
R6L2	103P15307	R-CHIP	RMC1/16S103JTH	1/16W 103J 1005	N937L16612
R6L3	103P15307	R-CHIP	RMC1/16S103JTH	1/16W 103J 1005	N937L16612
R6L4	103P15909	R-CHIP	RMC1/16SJPTH	1/16W 0 1005	N937L16612
R6L5	103P15909	R-CHIP	RMC1/16SJPTH	1/16W 0 1005	N937L16612
R6L7	103P15307	R-CHIP	RMC1/16S103JTH	1/16W 103J 1005	N937L16612
R6L8	103P15307	R-CHIP	RMC1/16S103JTH	1/16W 103J 1005	N937L16612

ELECTRICAL PARTS LIST

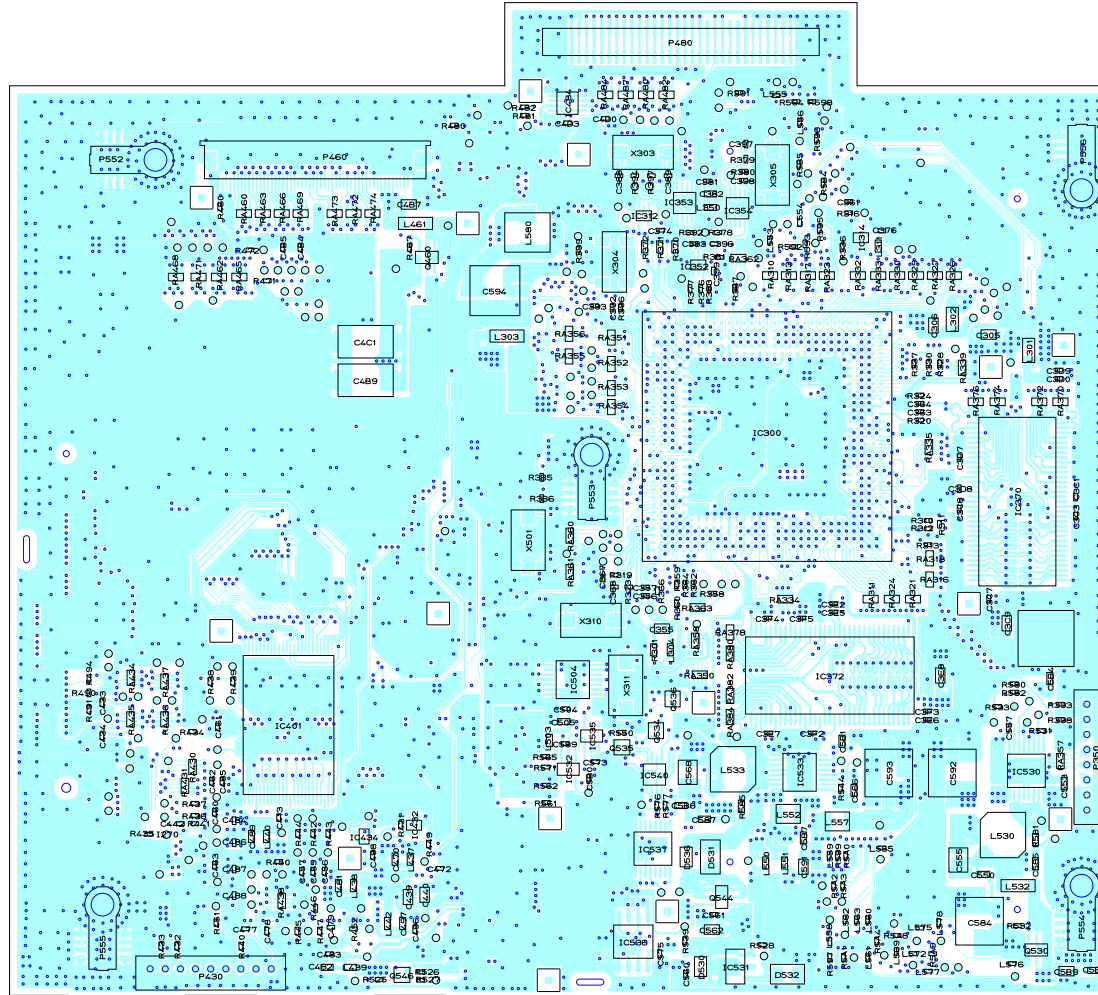
Ref. No.	Parts No.	Parts Name	Note	Spec.	Base Parts No.
R6L9	103P15101	R-CHIP	RMC1/16S680JTH	1/16W 680J 1005	N937L16612
R6M3	103P15209	R-CHIP	RMC1/16S222JTH	1/16W 222J 1005	N937L16612
R6M9	103L29909	R-CHIP	RMC1/16JTP	1/10W 0 1608	N937L05211
R6N0	103L29800	R-CHIP	RMC1/161R0JTP	1/10W 1R0J 1608	N937L16612
R6N1	103P52010	R-CHIP	RLC32KR050FTP	1/2W R050F 3216	N937L27117
R6N2	103P11401	R-CHIP	RGC1/16SC223DTH	1/16W 223D 1005	N937L16612
R6N3	103L29800	R-CHIP	RMC1/161R0JTP	1/10W 1R0J 1608	N937L16612
R6N4	103P11409	R-CHIP	RGC1/16SC104DTH	1/16W 104D 1005	N937L16612
R6N5	103P11405	R-CHIP	RGC1/16SC473DTH	1/16W 473D 1005	N937L27117
R6N6	103P11401	R-CHIP	RGC1/16SC223DTH	1/16W 223D 1005	N937L16612
R6N7	103P11401	R-CHIP	RGC1/16SC223DTH	1/16W 223D 1005	N937L16612
R6N8	103P11309	R-CHIP	RGC1/16SC153DTH	1/16W 153D 1005	N937L27117
R6N9	103P11309	R-CHIP	RGC1/16SC153DTH	1/16W 153D 1005	N937L27117
R6P0	103L19303	R-CHIP	RMC1/10472JATP	1/8W 472J 2125	N937L27117
R6P1	103L19303	R-CHIP	RMC1/10472JATP	1/8W 472J 2125	N937L27117
R6P2	103P15307	R-CHIP	RMC1/16S103JTH	1/16W 103J 1005	N937L16612
R6P3	103P15409	R-CHIP	RMC1/16S104JTH	1/16W 104J 1005	N937L16612
R6P4	103P15409	R-CHIP	RMC1/16S104JTH	1/16W 104J 1005	N937L16612
R6P5	103P15307	R-CHIP	RMC1/16S103JTH	1/16W 103J 1005	N937L16612
R6P9	103L29001	R-CHIP	RMC1/16100JTP	1/10W 100J 1608	N937L05211
R6Q0	103L29001	R-CHIP	RMC1/16100JTP	1/10W 100J 1608	N937L05211
R6Q1	103P52010	R-CHIP	RLC32KR050FTP	1/2W R050F 3216	N937L27117
R6Q2	103P52010	R-CHIP	RLC32KR050FTP	1/2W R050F 3216	N937L27117
R6Q3	103L29800	R-CHIP	RMC1/161R0JTP	1/10W 1R0J 1608	N937L16612
R6Q4	103P52010	R-CHIP	RLC32KR050FTP	1/2W R050F 3216	N937L27117
R6Q5	103L29800	R-CHIP	RMC1/161R0JTP	1/10W 1R0J 1608	N937L16612
R6Q6	103P11400	R-CHIP	RGC1/16SC183DTH	1/16W 183D 1005	N937L27117
R6Q7	103P11309	R-CHIP	RGC1/16SC153DTH	1/16W 153D 1005	N937L27117
R6Q8	103P55525	R-CHIP	HPC03CT102B	1/16W 102B 1005	N937L27117
R6Q9	103P55525	R-CHIP	HPC03CT102B	1/16W 102B 1005	N937L27117
R6S0	103P11502	R-CHIP	HPC03CT184D	1/16W 184D 1005	N937L16612
R6S1	103P11409	R-CHIP	RGC1/16SC104DTH	1/16W 104D 1005	N937L16612
R6S2	103P11401	R-CHIP	RGC1/16SC223DTH	1/16W 223D 1005	N937L16612
R6S3	103P11401	R-CHIP	RGC1/16SC223DTH	1/16W 223D 1005	N937L16612
R6S4	103P15909	R-CHIP	RMC1/16SJPTH	1/16W 0 1005	N937L16612
R6S5	103P55525	R-CHIP	HPC03CT102B	1/16W 102B 1005	N937L27117
R6S6	103P55525	R-CHIP	HPC03CT102B	1/16W 102B 1005	N937L27117
R6S7	103P11309	R-CHIP	RGC1/16SC153DTH	1/16W 153D 1005	N937L27117
R6S8	103P11309	R-CHIP	RGC1/16SC153DTH	1/16W 153D 1005	N937L27117
R6T2	103P15909	R-CHIP	RMC1/16SJPTH	1/16W 0 1005	N937L16612
R6T3	103P11303	R-CHIP	RGC1/16SC472DTH	1/16W 472D 1005	N937L27117
R6T4	103P15601	R-CHIP	RMC1/16S105JTH	1/16W 105J 1005	N937L16612
R6T5	103P11508	R-CHIP	HPC03CT564D	1/16W 564D 1005	N937L27117
R6T6	103P15309	R-CHIP	RMC1/16S153JTH	1/16W 153J 1005	N937L16612
R6T7	103L29800	R-CHIP	RMC1/161R0JTP	1/10W 1R0J 1608	N937L16612
R6T9	103P15509	R-CHIP	RMC1/16S684JTH	1/16W 684J 1005	N937L27117
R6U0	103P11502	R-CHIP	HPC03CT184D	1/16W 184D 1005	N937L16612
R6V0	103P15409	R-CHIP	RMC1/16S104JTH	1/16W 104J 1005	N937L16612
R6V1	103P15409	R-CHIP	RMC1/16S104JTH	1/16W 104J 1005	N937L16612
R6V4	103L29001	R-CHIP	RMC1/16100JTP	1/10W 100J 1608	N937L05211
R6V5	103L29001	R-CHIP	RMC1/16100JTP	1/10W 100J 1608	N937L05211
R6V6	103P52010	R-CHIP	RLC32KR050FTP	1/2W R050F 3216	N937L27117
R6V7	103P52010	R-CHIP	RLC32KR050FTP	1/2W R050F 3216	N937L27117
R6V8	103P11309	R-CHIP	RGC1/16SC153DTH	1/16W 153D 1005	N937L27117
R6V9	103P52010	R-CHIP	RLC32KR050FTP	1/2W R050F 3216	N937L27117
R700	351P09602	COIL-CHIP	BK1608TS601-T	TS601 1608	N927L91811
R701	103P15205	R-CHIP	RMC1/16S102JTH	1/16W 102J 1005	N937L16612
R702	351P09602	COIL-CHIP	BK1608TS601-T	TS601 1608	N927L91811
R703	103P15307	R-CHIP	RMC1/16S103JTH	1/16W 103J 1005	N937L16612
R705	103P15303	R-CHIP	RMC1/16S472JTH	1/16W 472J 1005	N937L16612
R706	103P15307	R-CHIP	RMC1/16S103JTH	1/16W 103J 1005	N937L16612
R707	103P15303	R-CHIP	RMC1/16S472JTH	1/16W 472J 1005	N937L16612
R708	103P15909	R-CHIP	RMC1/16SJPTH	1/16W 0 1005	N937L16612
R70M	103L19304	R-CHIP	RMC1/10562JATP	1/8W 562J 2125	N937L27117

Ref. No.	Parts No.	Parts Name	Note	Spec.	Base Parts No.
R711	103L24003	R-CHIP	RMC1/8150JATP	1/4W 150J 3216	N937L27117
R715	103P15303	R-CHIP	RMC1/16S472JTH	1/16W 472J 1005	N937L16612
R717	103P15303	R-CHIP	RMC1/16S472JTH	1/16W 472J 1005	N937L16612
R719	103P15109	R-CHIP	RMC1/16S331JTH	1/16W 331J 1005	N937L27117
R720	103P15303	R-CHIP	RMC1/16S472JTH	1/16W 472J 1005	N937L16612
R723	103P15409	R-CHIP	RMC1/16S104JTH	1/16W 104J 1005	N937L16612
R724	103P15409	R-CHIP	RMC1/16S104JTH	1/16W 104J 1005	N937L16612
R725	103L19304	R-CHIP	RMC1/10562JATP	1/8W 562J 2125	N937L27117
R726	103P11303	R-CHIP	RGC1/16SC472DTH	1/16W 472D 1005	N937L27117
R727	103L19205	R-CHIP	RMC1/10102JATP	1/8W 102J 2125	N937L27117
R728	103P11309	R-CHIP	RGC1/16SC153DTH	1/16W 153D 1005	N937L27117
R72M	103P15307	R-CHIP	RMC1/16S103JTH	1/16W 103J 1005	N937L16612
R730	103P15405	R-CHIP	RMC1/16S473JTH	1/16W 473J 1005	N937L27117
R759	103L19205	R-CHIP	RMC1/10102JATP	1/8W 102J 2125	N937L27117
R760	103P15307	R-CHIP	RMC1/16S103JTH	1/16W 103J 1005	N937L16612
R762	103P15307	R-CHIP	RMC1/16S103JTH	1/16W 103J 1005	N937L16612
R764	103L19303	R-CHIP	RMC1/10472JATP	1/8W 472J 2125	N937L27117
R770	103P15307	R-CHIP	RMC1/16S103JTH	1/16W 103J 1005	N937L16612
R774	103P15307	R-CHIP	RMC1/16S103JTH	1/16W 103J 1005	N937L16612
R777	103P15307	R-CHIP	RMC1/16S103JTH	1/16W 103J 1005	N937L16612
R778	103P15307	R-CHIP	RMC1/16S103JTH	1/16W 103J 1005	N937L16612
R779	103P15307	R-CHIP	RMC1/16S103JTH	1/16W 103J 1005	N937L16612
R77M	103P15307	R-CHIP	RMC1/16S103JTH	1/16W 103J 1005	N937L16612
R781	103P15307	R-CHIP	RMC1/16S103JTH	1/16W 103J 1005	N937L16612
R782	103P15307	R-CHIP	RMC1/16S103JTH	1/16W 103J 1005	N937L16612
R783	103P15307	R-CHIP	RMC1/16S103JTH	1/16W 103J 1005	N937L16612
R784	103P15307	R-CHIP	RMC1/16S103JTH	1/16W 103J 1005	N937L16612
R785	103P15307	R-CHIP	RMC1/16S103JTH	1/16W 103J 1005	N937L16612
R786	103L19103	R-CHIP	RMC1/10101JATP	1/8W 101J 2125	N937L27117
R788	103L19103	R-CHIP	RMC1/10101JATP	1/8W 101J 2125	N937L27117
R789	103L19103	R-CHIP	RMC1/10101JATP	1/8W 101J 2125	N937L27117
R790	103L19103	R-CHIP	RMC1/10101JATP	1/8W 101J 2125	N937L27117
R7B8	103L19109	R-CHIP	RMC1/10331JATP	1/8W 331J 2125	N937L27117
R7B9	103L19109	R-CHIP	RMC1/10331JATP	1/8W 331J 2125	N937L27117
R7C0	103P15101	R-CHIP	RMC1/16S680JTH	1/16W 680J 1005	N937L16612
R7C1	103L19909	R-CHIP	RMC1/10JPATP	1/8W 0 2125	N931L16414
R7C2	103P15205	R-CHIP	RMC1/16S102JTH	1/16W 102J 1005	N937L16612
R7C3	103P11205	R-CHIP	RGC1/16SC102DTH	1/16W 102D 1005	N937L27117
R7C4	103P15307	R-CHIP	RMC1/16S103JTH	1/16W 103J 1005	N937L16612
R7C5	103P15401	R-CHIP	RMC1/16S223JTH	1/16W 223J 1005	N937L16612
R7C6	103L24203	R-CHIP	RMC1/8681JATP	1/4W 681J 3216	N937L27117
R7C7	103L29109	R-CHIP	RMC1/16331JTP	1/10W 331J 1608	N937L05211
R7C8	103L29109	R-CHIP	RMC1/16331JTP	1/10W 331J 1608	N937L05211
R7C9	103L19300	R-CHIP	RMC1/10272JATP	1/8W 272J 2125	N937L27117
R7D0	103L19303	R-CHIP	RMC1/10472JATP	1/8W 472J 2125	N937L27117
R7D1	103P15307	R-CHIP	RMC1/16S103JTH	1/16W 103J 1005	N937L16612
R7D2	103L19207	R-CHIP	RMC1/10152JATP	1/8W 152J 2125	N937L27117
R7D3	103L19303	R-CHIP	RMC1/10472JATP	1/8W 472J 2125	N937L27117
R7D4	103L19307	R-CHIP	RMC1/10103JATP	1/8W 103J 2125	N931L16414
R7D5	103L19307	R-CHIP	RMC1/10103JATP	1/8W 103J 2125	N931L16414
R7D6	103L19307	R-CHIP	RMC1/10103JATP	1/8W 103J 2125	N931L16414
R7D8	103L19307	R-CHIP	RMC1/10103JATP	1/8W 103J 2125	N931L16414
R7D9	103L19307	R-CHIP	RMC1/10103JATP	1/8W 103J 2125	N931L16414
R7E0	103L19103	R-CHIP	RMC1/10101JATP	1/8W 101J 2125	N937L27117
R7E1	103L19307	R-CHIP	RMC1/10103JATP	1/8W 103J 2125	N931L16414
R7E2	103L19307	R-CHIP	RMC1/10103JATP	1/8W 103J 2125	N931L16414
R7E3	103L19307	R-CHIP	RMC1/10103JATP	1/8W 103J 2125	N931L16414
R7E5	103P15209	R-CHIP	RMC1/16S222JTH	1/16W 222J 1005	N937L16612
R7E6	103P15209	R-CHIP	RMC1/16S222JTH	1/16W 222J 1005	N937L16612
R7E7	103L24104	R-CHIP	RMC1/8121JATP	1/4W 121J 3216	N931L16414
R7E9	103L29107	R-CHIP	RMC1/16221JTP	1/10W 221J 1608	N937L05211
R7F0	103L29109	R-CHIP	RMC1/16331JTP	1/10W 331J 1608	N937L05211
R7F2	103L19109	R-CHIP	RMC1/10331JATP	1/8W 331J 2125	N937L27117
R7F3	103P15205	R-CHIP	RMC1/16S102JTH	1/16W 102J 1005	N937L16612

PARTS LAYOUT ON PRINTED CIRCUIT BOARD

MODEL : NR-261UM-07LAN4,-07-5WS (PARTS SIDE)

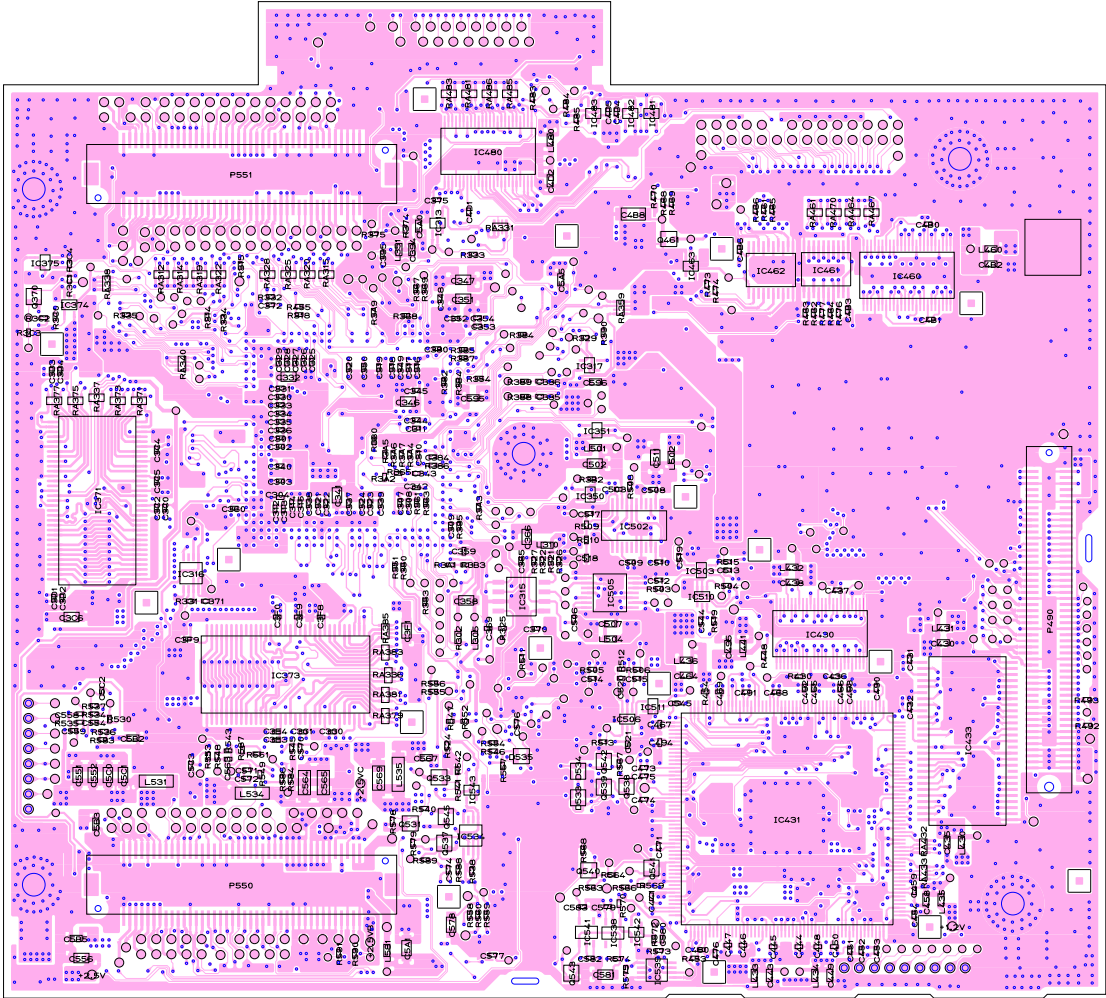
PCB-DIGITAL



PARTS LAYOUT ON PRINTED CIRCUIT BOARD

MODEL : NR-261UM-07LAN4,-07-5WS (PATTERN SIDE)

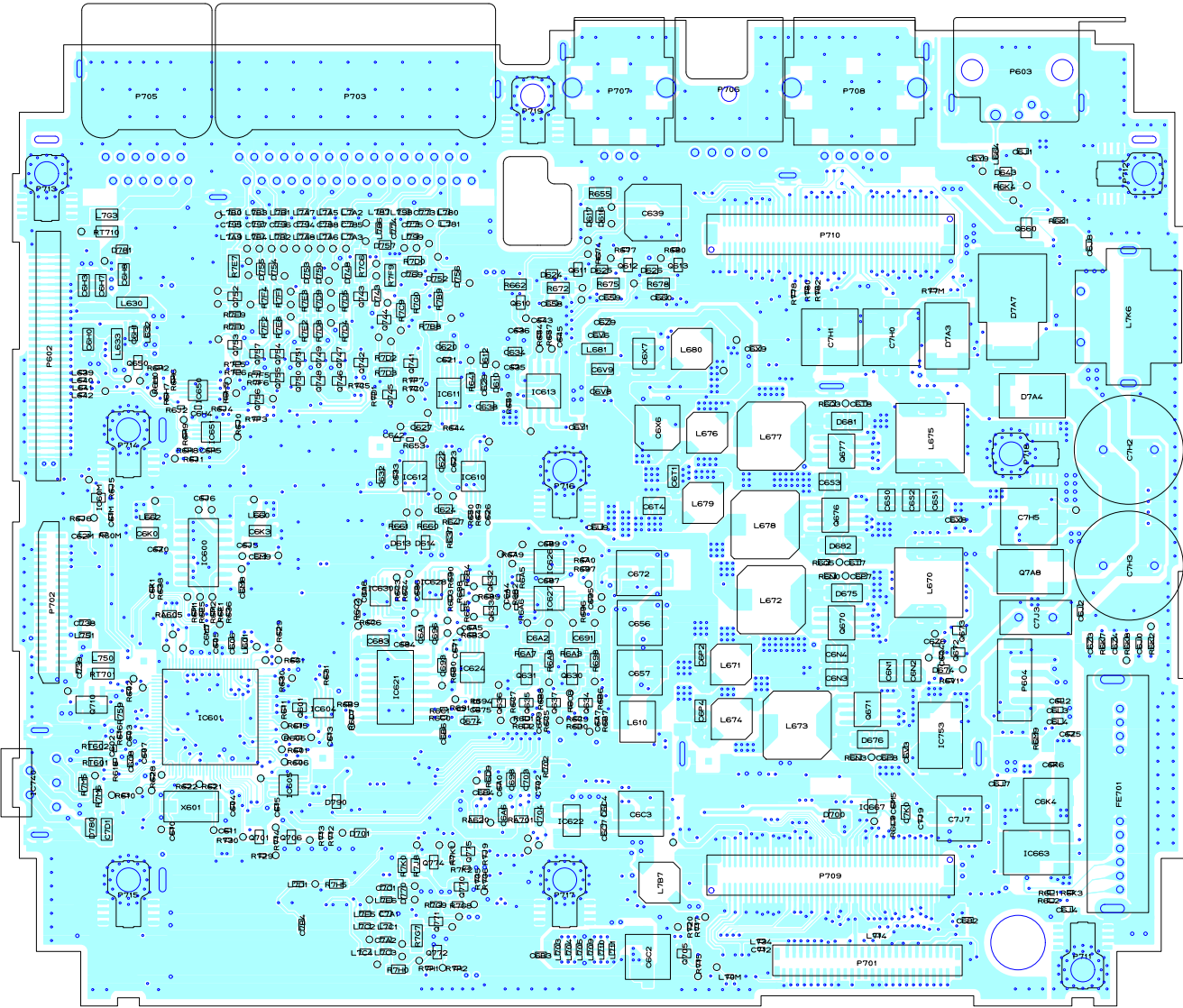
PCB-DIGITAL



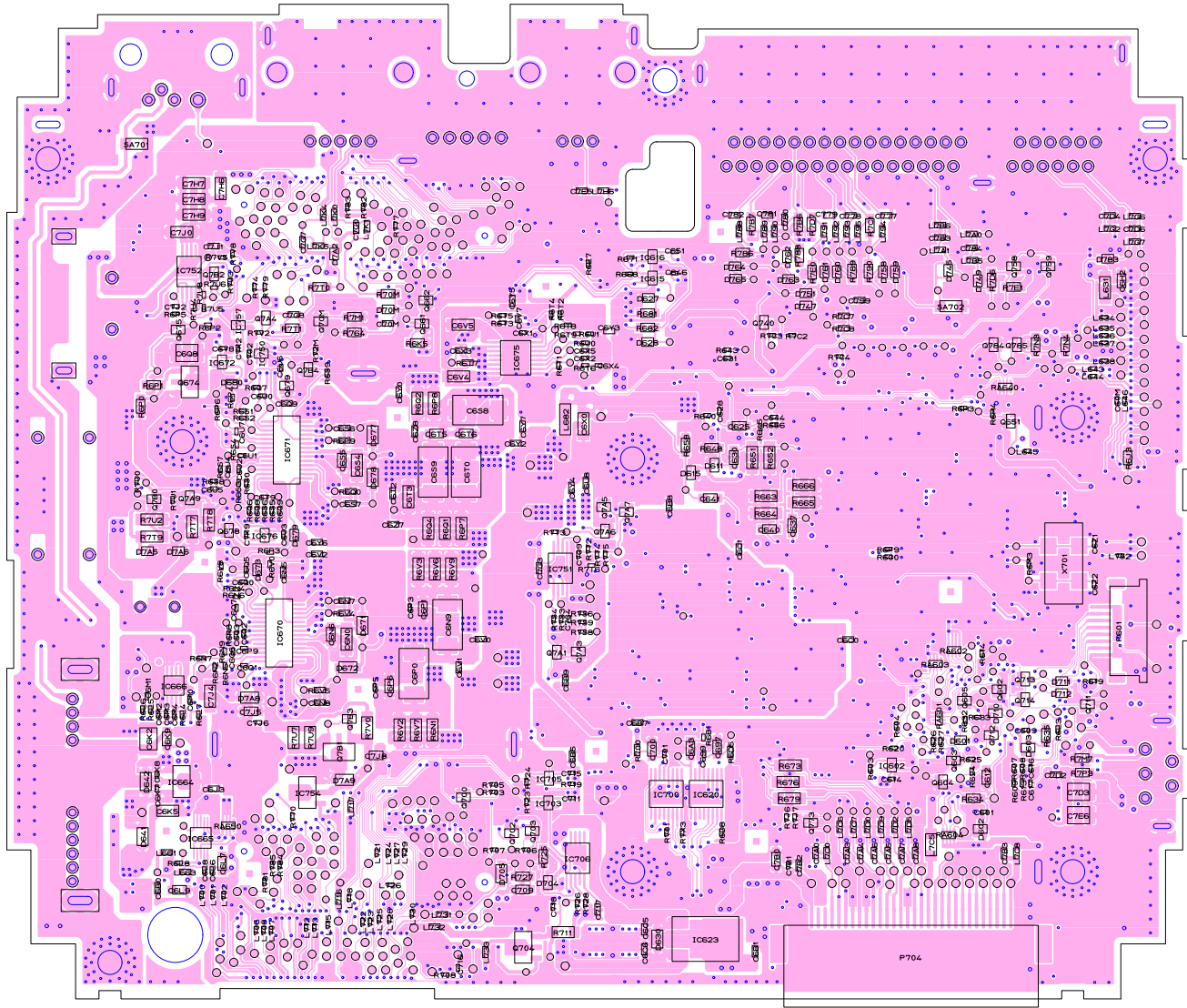
PARTS LAYOUT ON PRINTED CIRCUIT BOARD

MODEL : NR-261UM-07LAN4,-07-5WS (PARTS SIDE)

PCB-ANALOG



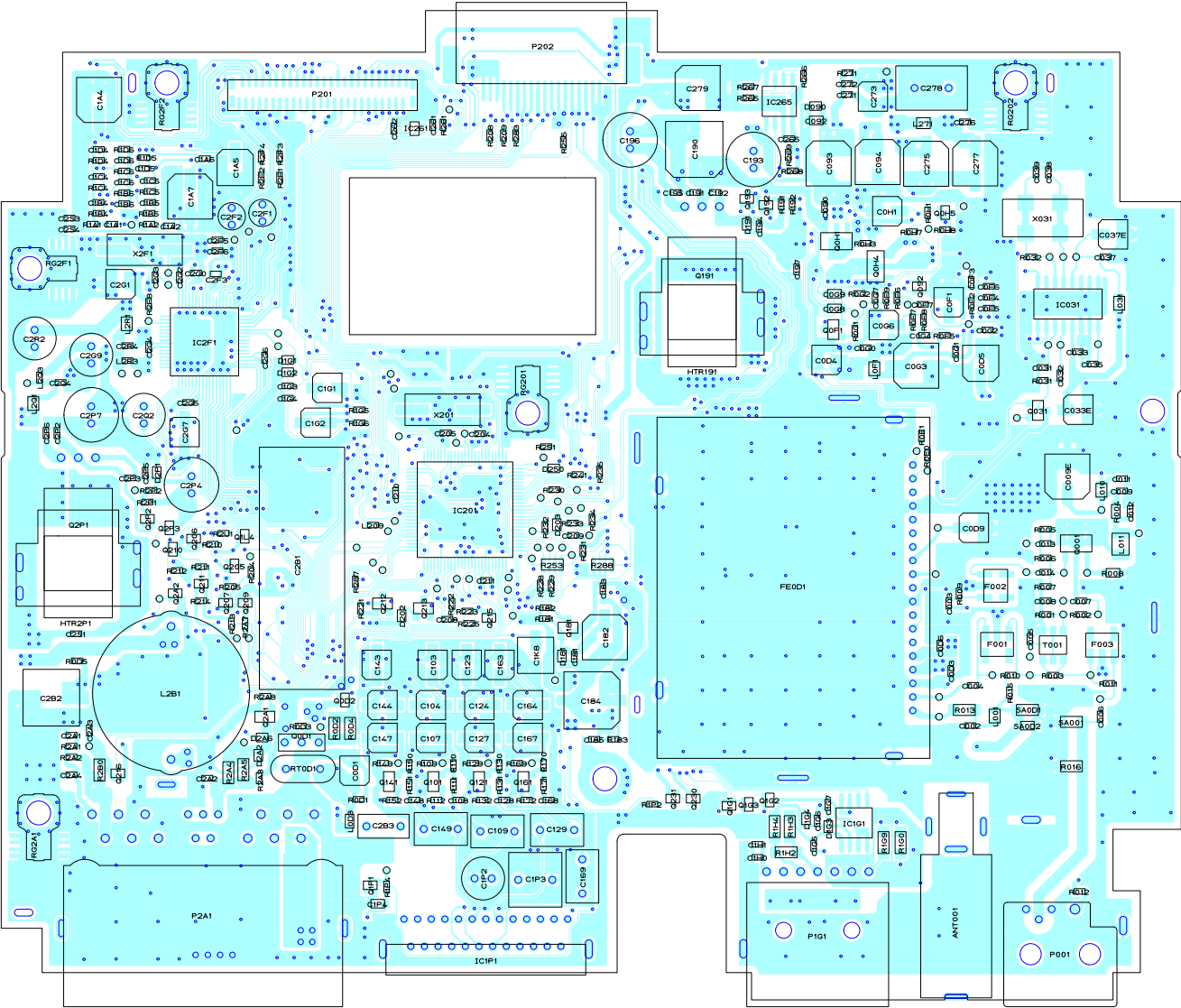
PARTS LAYOUT ON PRINTED CIRCUIT BOARD
MODEL : NR-261UM-07LAN4,-07-5WS (PATTERN SIDE)
PCB-ANALOG



PARTS LAYOUT ON PRINTED CIRCUIT BOARD

MODEL : NR-261UM-07LAN4,-07-5WS (PARTS SIDE)

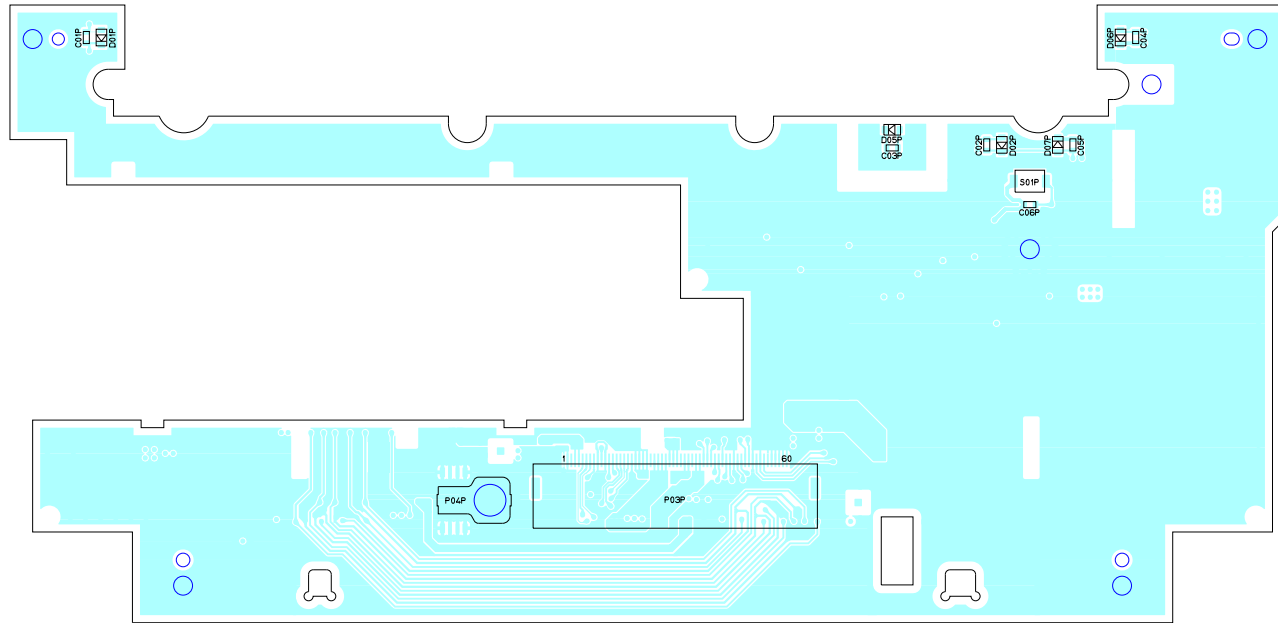
PCB-AUDIO



PARTS LAYOUT ON PRINTED CIRCUIT BOARD

MODEL : NR-261UM-07LAN4,-07-5WS (PARTS SIDE)

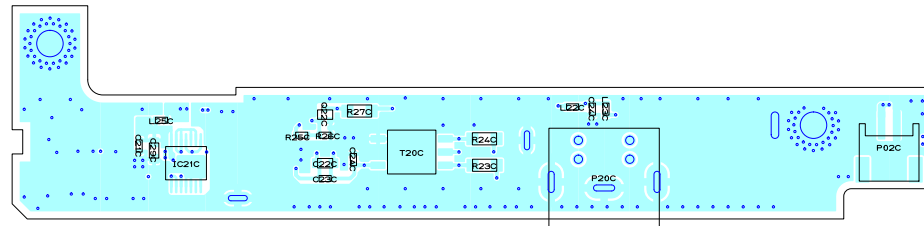
PCB-PANEL



PARTS LAYOUT ON PRINTED CIRCUIT BOARD

MODEL : NR-261UM-07LAN4,-07-5WS (PARTS SIDE)

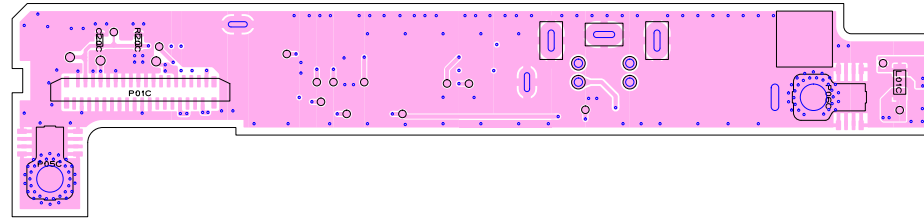
PCB-CONN



PARTS LAYOUT ON PRINTED CIRCUIT BOARD

MODEL : NR-261UM-07LAN4,-07-5WS (PATTERN SIDE)

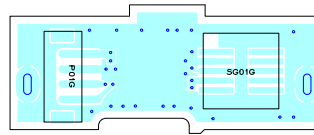
PCB-CONN



PARTS LAYOUT ON PRINTED CIRCUIT BOARD

MODEL : NR-261UM-07LAN4,-07-5WS (PARTS SIDE)

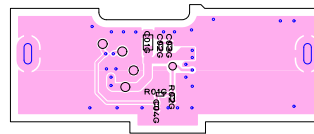
PCB-SENSOR



PARTS LAYOUT ON PRINTED CIRCUIT BOARD

MODEL : NR-261UM-07LAN4,-07-5WS (PATTERN SIDE)

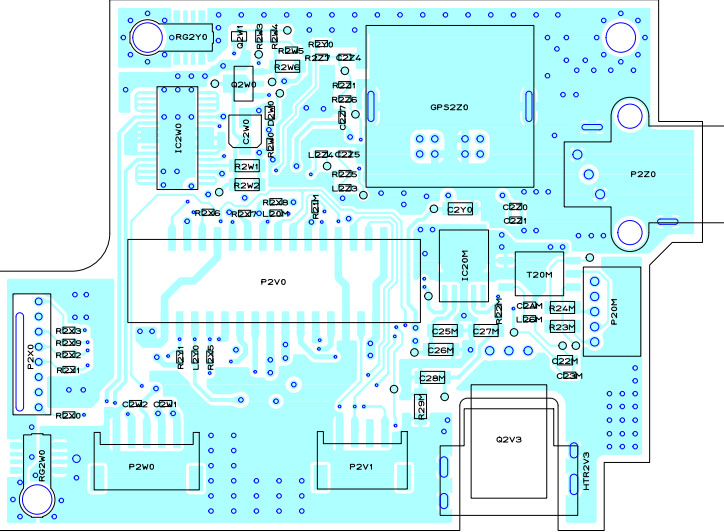
PCB-SENSOR



PARTS LAYOUT ON PRINTED CIRCUIT BOARD

MODEL : NR-261UM-07LAN4,-07-5WS (PARTS SIDE)

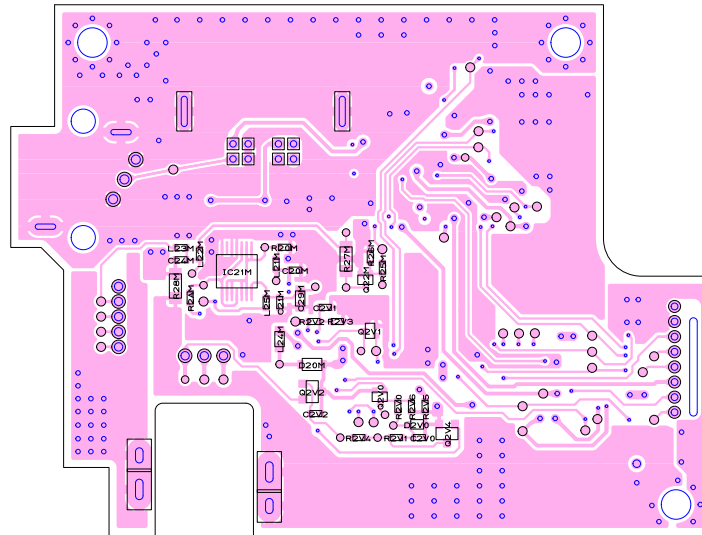
PCB-GPS



PARTS LAYOUT ON PRINTED CIRCUIT BOARD

MODEL : NR-261UM-07LAN4,-07-5WS (PATTERN SIDE)

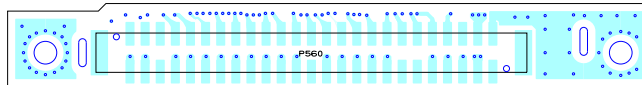
PCB-GPS



PARTS LAYOUT ON PRINTED CIRCUIT BOARD

MODEL : NR-261UM-07LAN4,-07-5WS (PARTS SIDE)

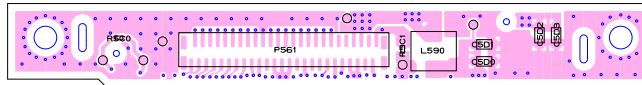
PCB-HDD



PARTS LAYOUT ON PRINTED CIRCUIT BOARD

MODEL : NR-261UM-07LAN4,-07-5WS (PATTERN SIDE)

PCB-HDD

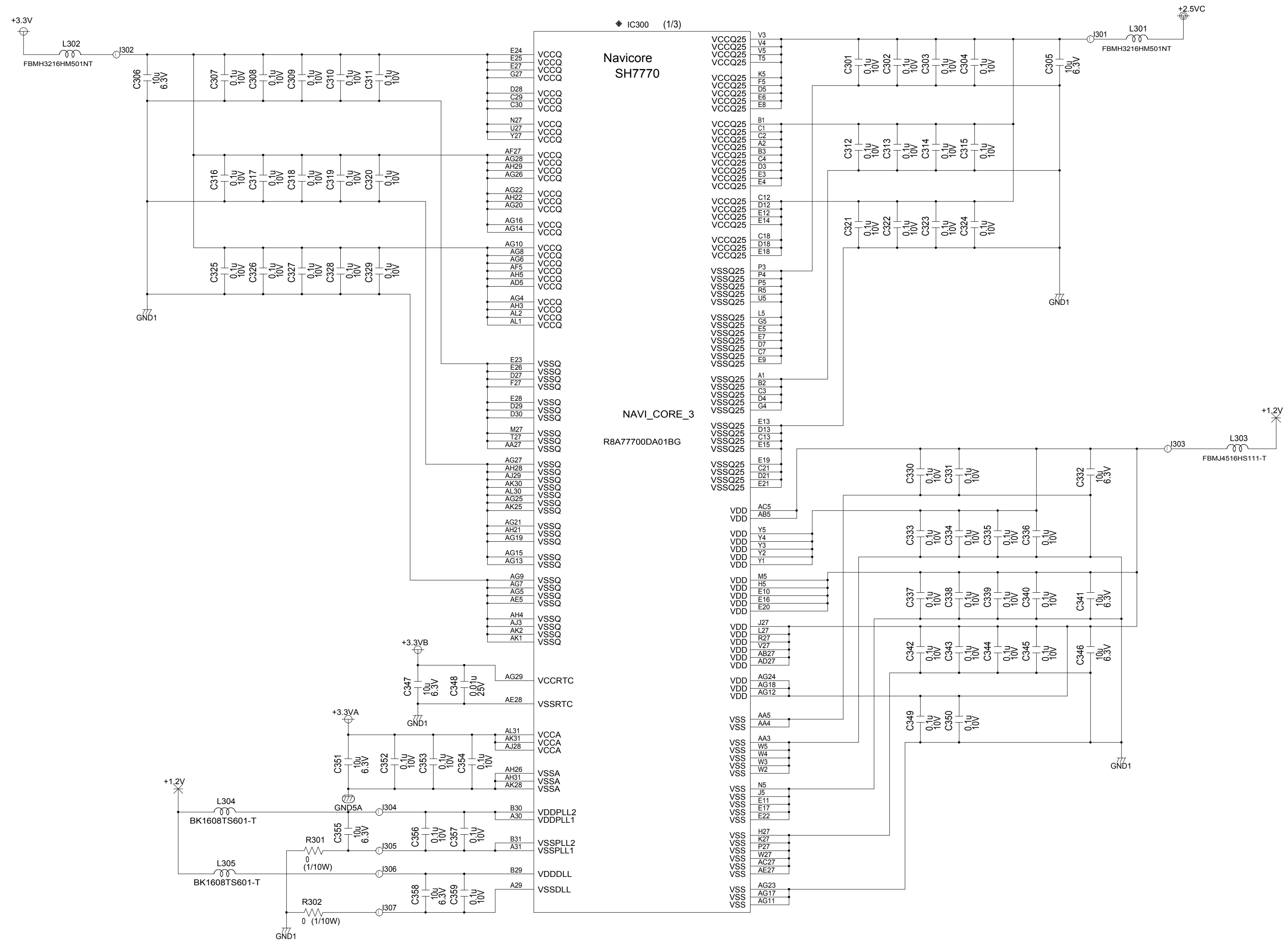


SCHEMATIC DIAGRAM

< CONTENTS >

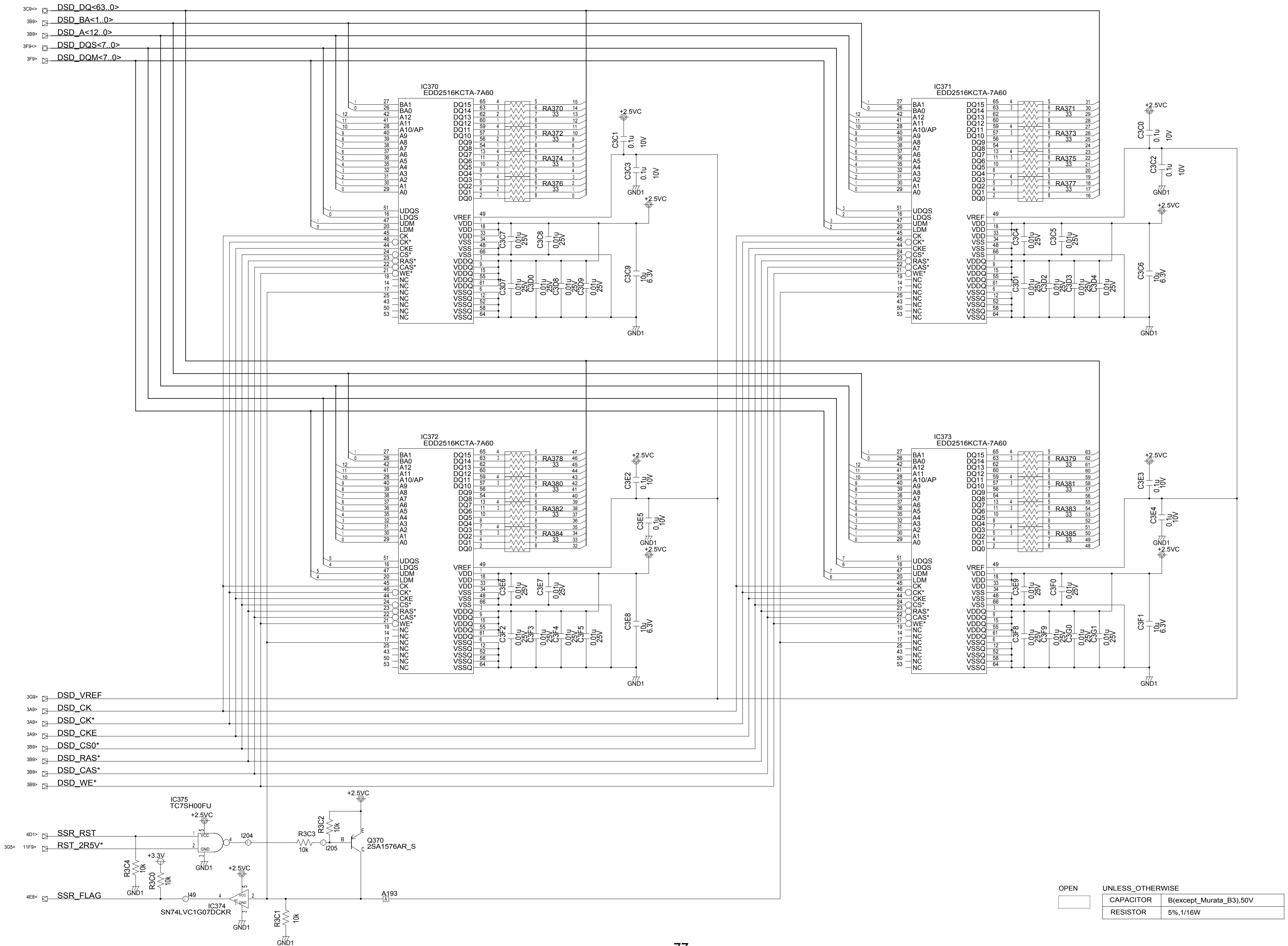
DIGITAL NaviCore_1 (Power Pin)	74
DIGITAL NaviCore_2 (EX Bus,DDR Bus,etc.)	75
DIGITAL NaviCore_3 (ATAPI,SCIF,SSI,Video,etc.)	76
DIGITAL DDR SDRAM	77
DIGITAL Flash Memory & Debug Connector	78
DIGITAL DSP	79
DIGITAL HDD I/F (ATAPI)	80
DIGITAL DVD I/F (ATAPI)	81
DIGITAL Audio Clock Generator	82
DIGITAL Reset & DC/DC Converter (2.5V,1.2V)	83
DIGITAL Connector	84
DIGITAL Parts List	85
ANALOG Sub CPU	86
ANALOG Video (RGB,NTSC)	87
ANALOG RG Voice	88
ANALOG DVD I/F (5Line Comm,etc.), SC	89
ANALOG TMC Tuner & ADC	90
ANALOG DC/DC Converter (DVD 8V,5V,3.4V,Navi 5V,3.3V)	91
ANALOG Audio Board I/F	92
ANALOG Connector Board I/F	93
ANALOG Vehicle Connector I/F (HFT,CAN,RSES,etc.)	94
ANALOG Panel Board I/F	95
ANALOG Camera Connector & RSES Connector I/F	96
ANALOG Vehicle Connector I/F (+B,BACK LT,NAVI PARK)	97
ANALOG Connector (Digital Board I/F)	98
PCB-CONN	99
PCB-ANALOG,CONN	100
PCB-AUDIO	101
PCB-GPS	102
PCB-AUDIO,GPS	103
PCB-PANEL	104
PCB-SENSOR	105
PCB-HDD	106

SCHEMATIC DIAGRAM DIGITAL NaviCore_1 (Power Pin) MODEL : NR-261UM-07LAN4,-07-5WS



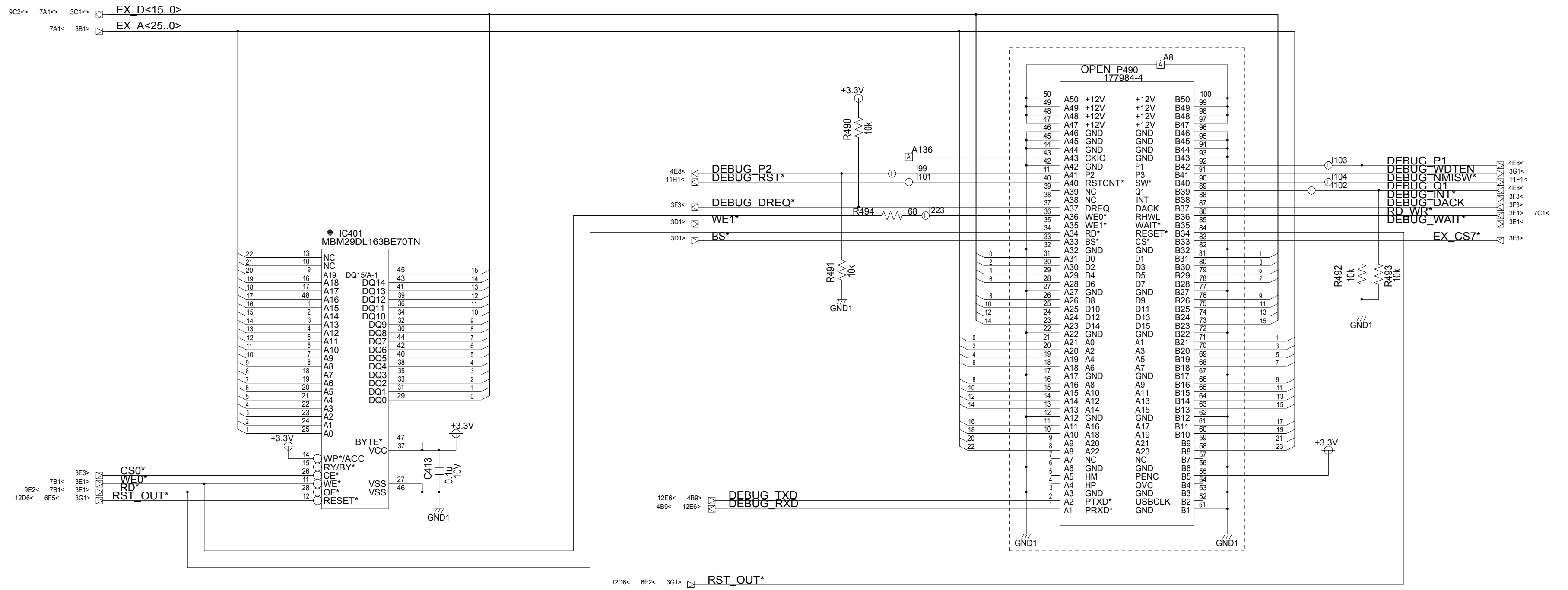
OPEN	UNLESS_OTHERWISE	
CAPACITOR	B,50V	
RESISTOR	5%,1/16W	

SCHEMATIC DIAGRAM DIGITAL DDR SDRAM MODEL : NR-261UM-07LAN4,-07-5WS



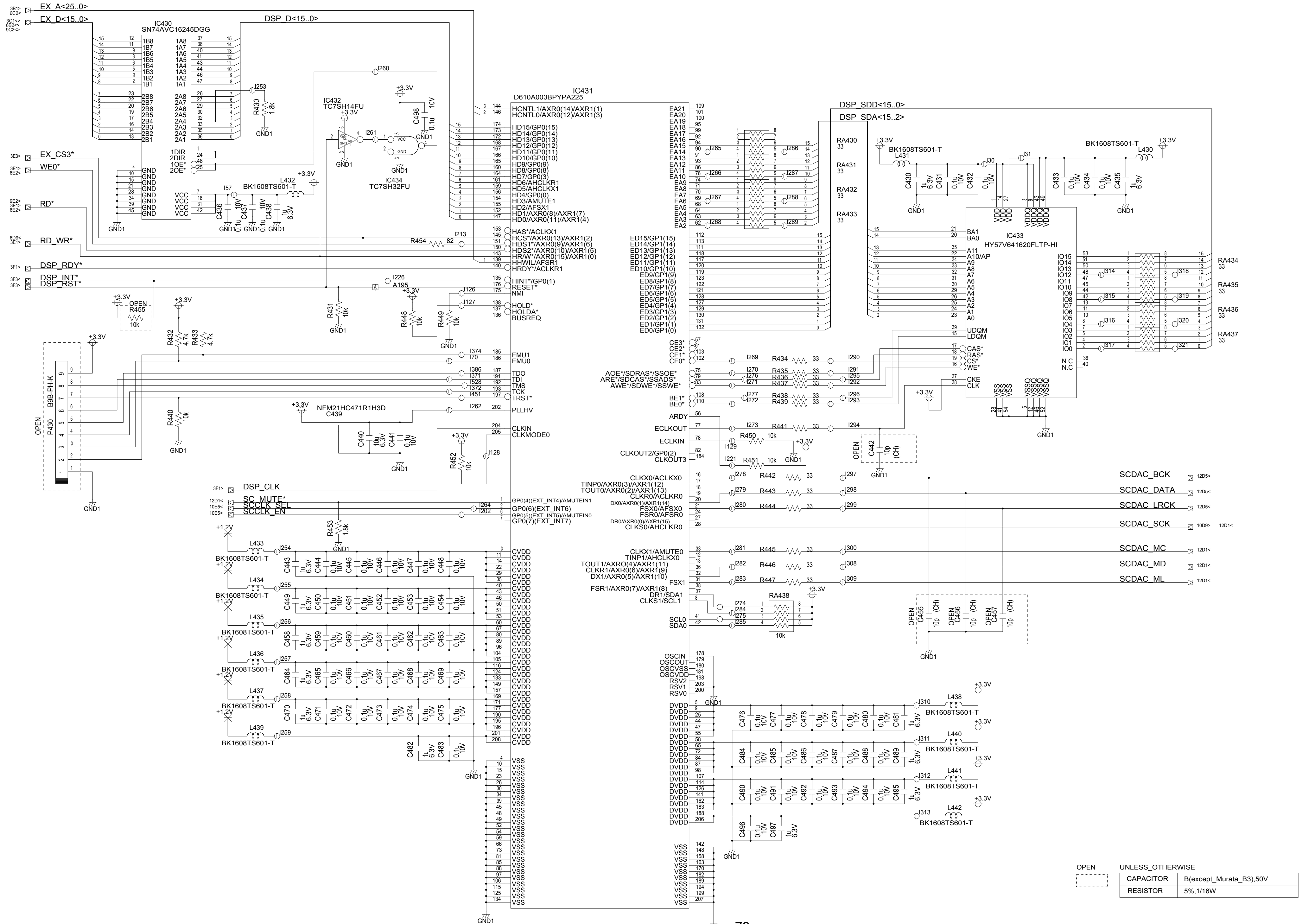
Symbol	Value
○	OPEN
□	UNLESS_OTHERWISE
○	CAPACITOR
□	B(except_Murata_B3),50V
□	RESISTOR
□	5%,1/16W

SCHEMATIC DIAGRAM DIGITAL Flash Memory & Debug Connector MODEL : NR-261UM-07LAN4,-07-5WS



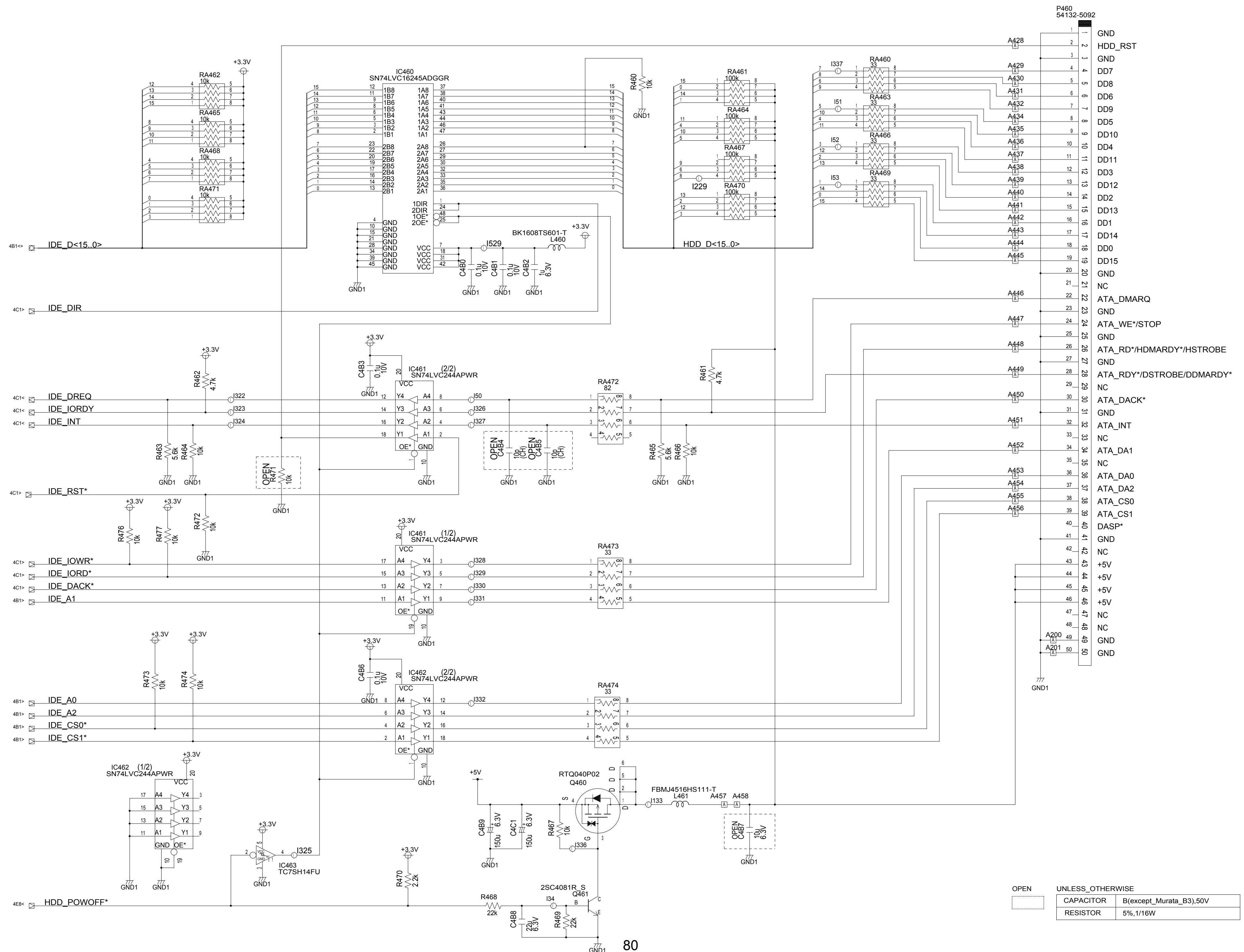
UNLESS OTHERWISE	
CAPACITOR	B(except_Murata_B3),50V
RESISTOR	5%,1/16W

SCHEMATIC DIAGRAM DIGITAL DSP MODEL : NR-261UM-07LAN4,-07-5WS



OPEN	UNLESS_OTHERWISE
CAPACITOR	B(except_Murata_B3),50V
RESISTOR	5%,1/16W

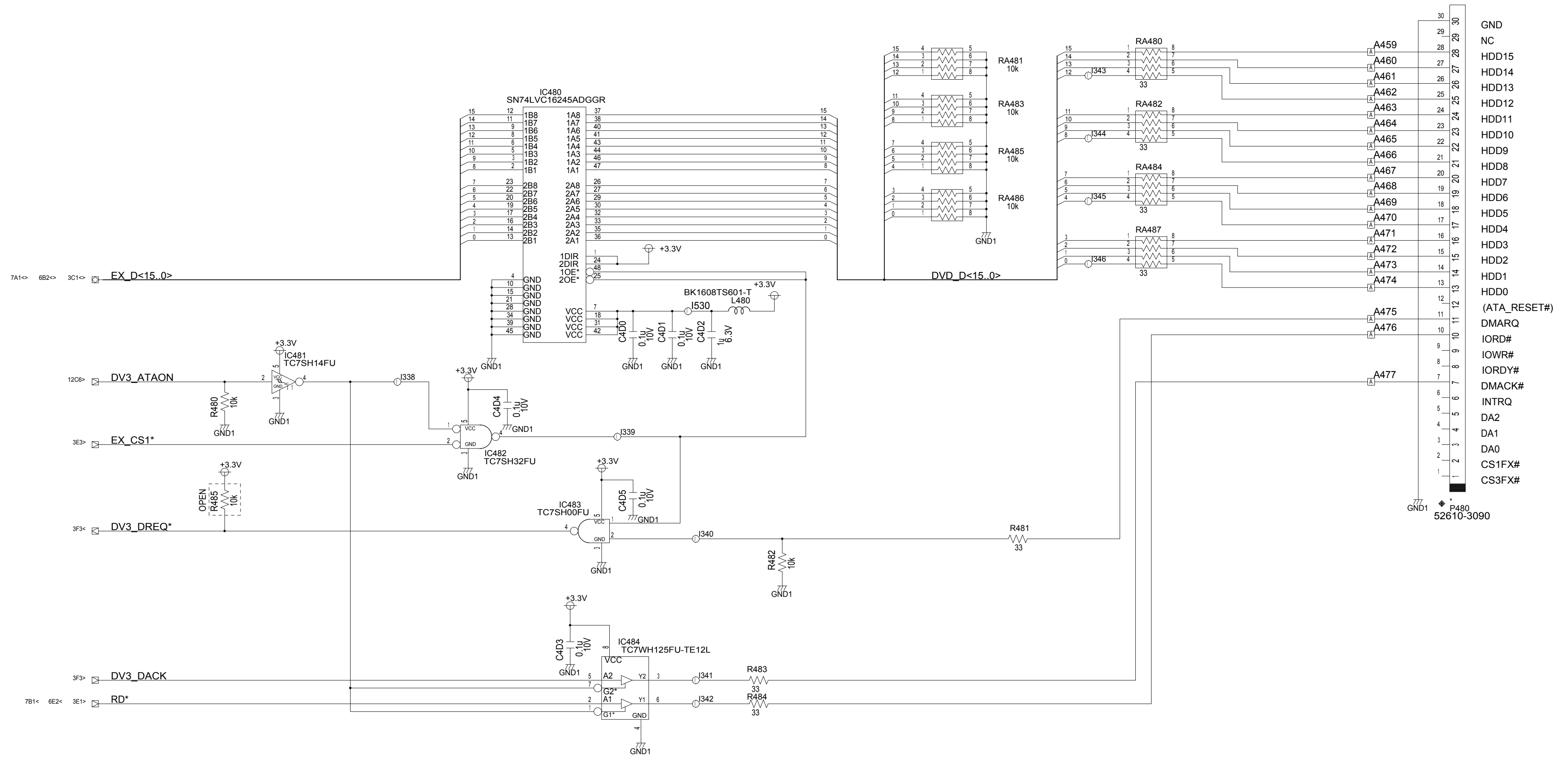
SCHEMATIC DIAGRAM DIGITAL HDD I/F (ATAPI) MODEL : NR-261UM-07LAN4,-07-5WS



P460
54132-5092

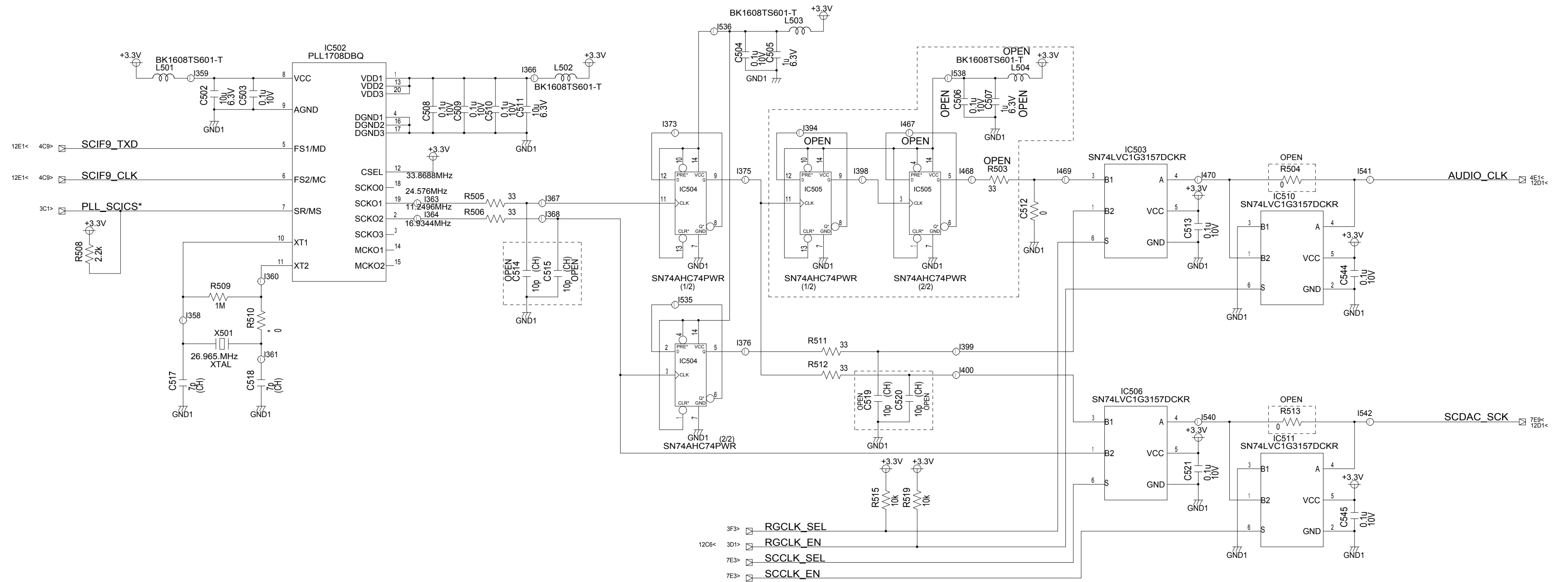
UNLESS OTHERWISE	B(except_Murata_B3),50V
CAPACITOR	
RESISTOR	5%,1/16W

SCHEMATIC DIAGRAM DIGITAL DVD I/F (ATAPI) MODEL : NR-261UM-07LAN4,-07-5WS



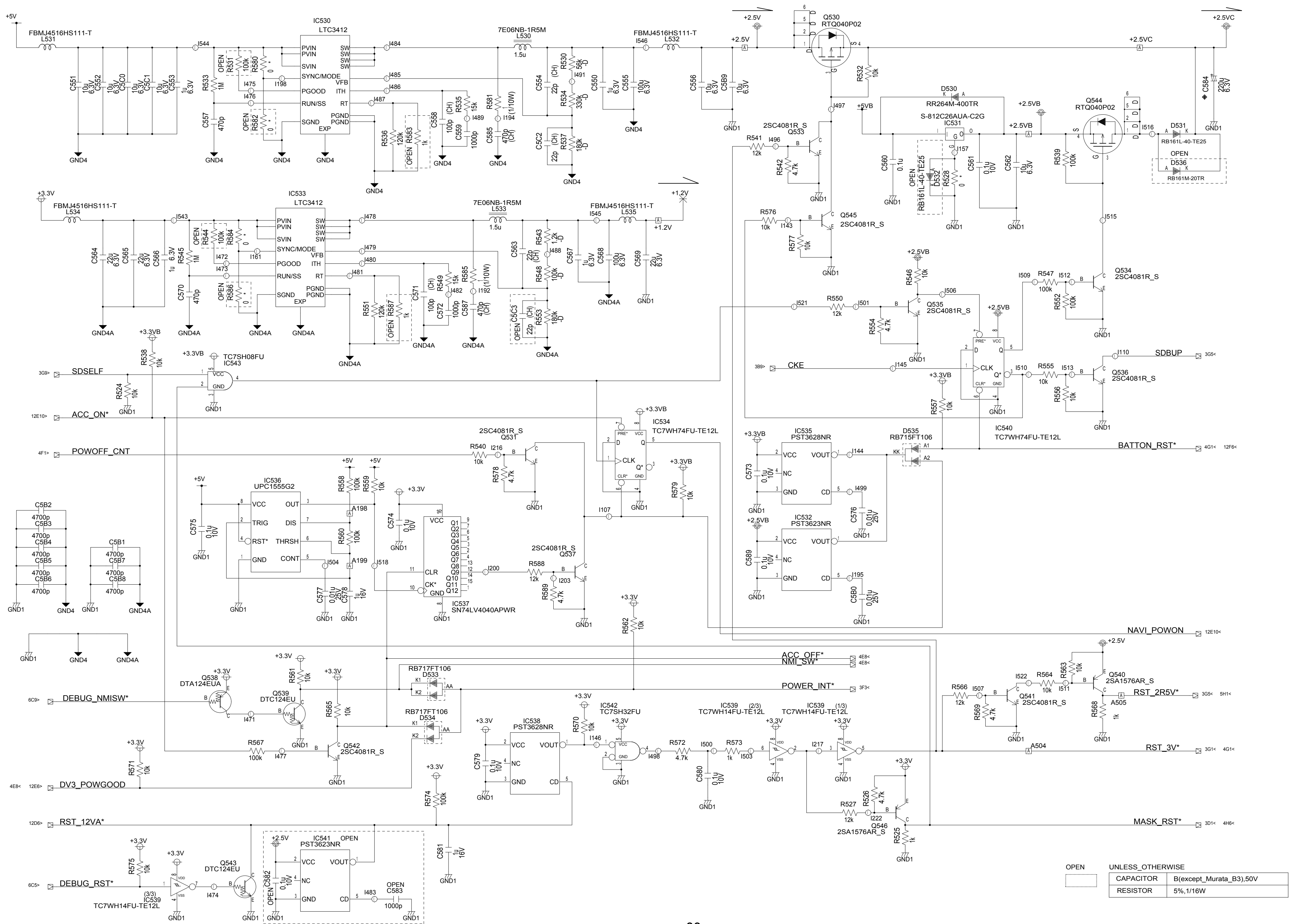
UNLESS_OTHERWISE	UNLESS_OTHERWISE
CAPACITOR	B(except_Murata_B3),50V
RESISTOR	5%,1/16W

SCHEMATIC DIAGRAM DIGITAL Audio Clock Generator MODEL : NR-261UM-07LAN4,-07-5WS



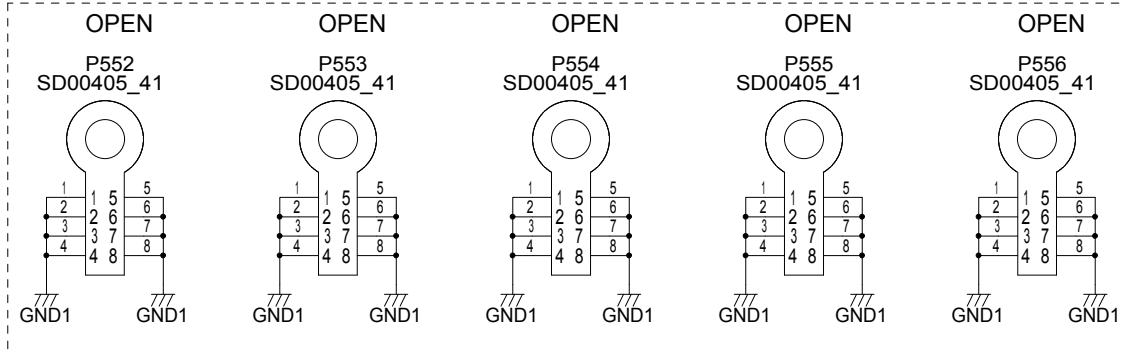
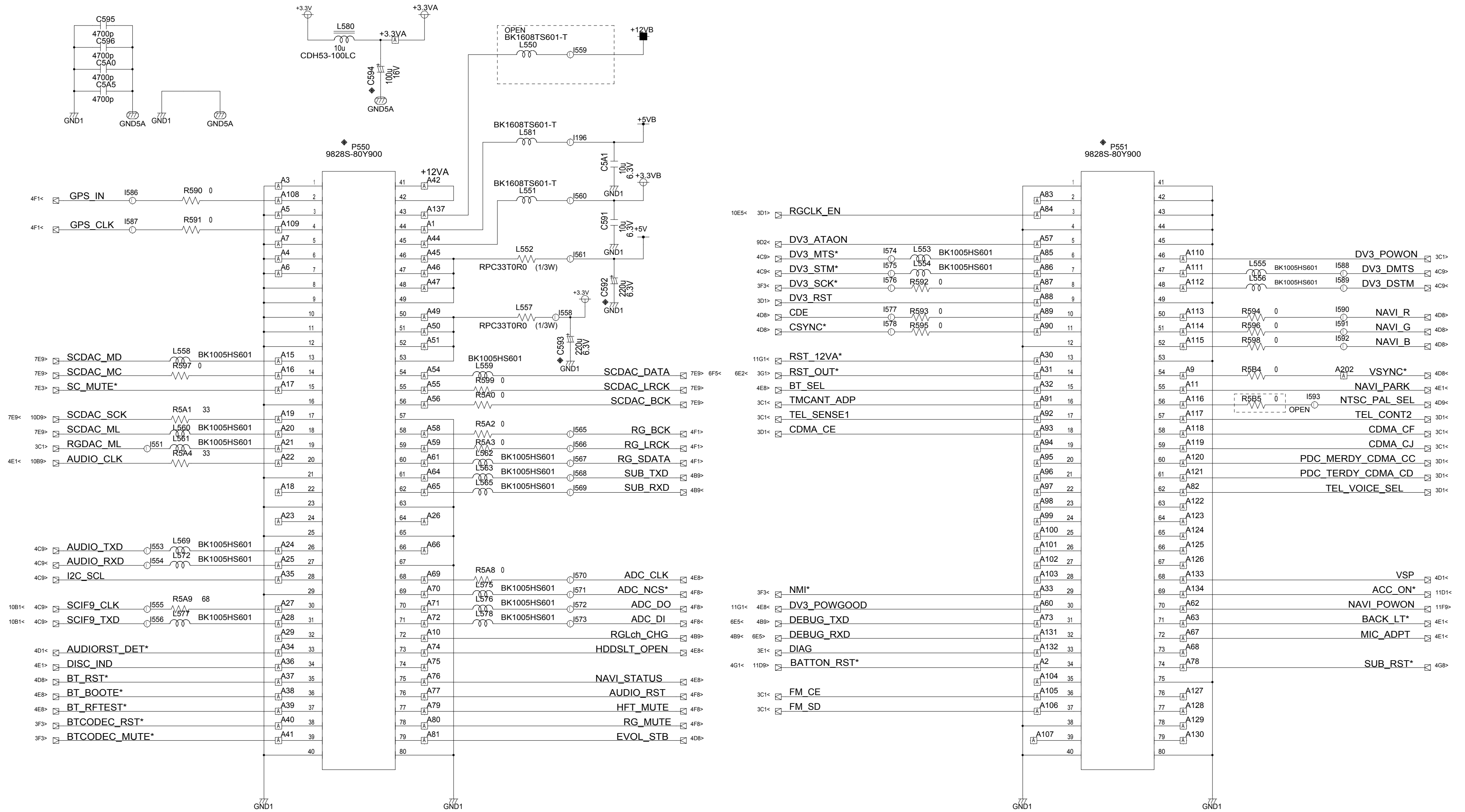
UNLESS OTHERWISE	UNLESS OTHERWISE
CAPACITOR	B(except_Murata_B3),50V
RESISTOR	5%,1/16W

SCHEMATIC DIAGRAM DIGITAL Reset & DC/DC Converter (2.5V,1.2V) MODEL : NR-261UM-07LAN4,-07-5WS



Symbol	Value	Notes
[Dashed Box]	OPEN	
[Capacitor]	UNLESS_OTHERWISE	
[Resistor]	5%, 1/16W	
[Capacitor]	B(except_Murata_B3), 50V	

SCHEMATIC DIAGRAM DIGITAL Connector MODEL : NR-261UM-07LAN4,-07-5WS



OPEN	UNLESS_OTHERWISE
CAPACITOR	B(except_Murata_B3),50V
RESISTOR	5%,1/16W

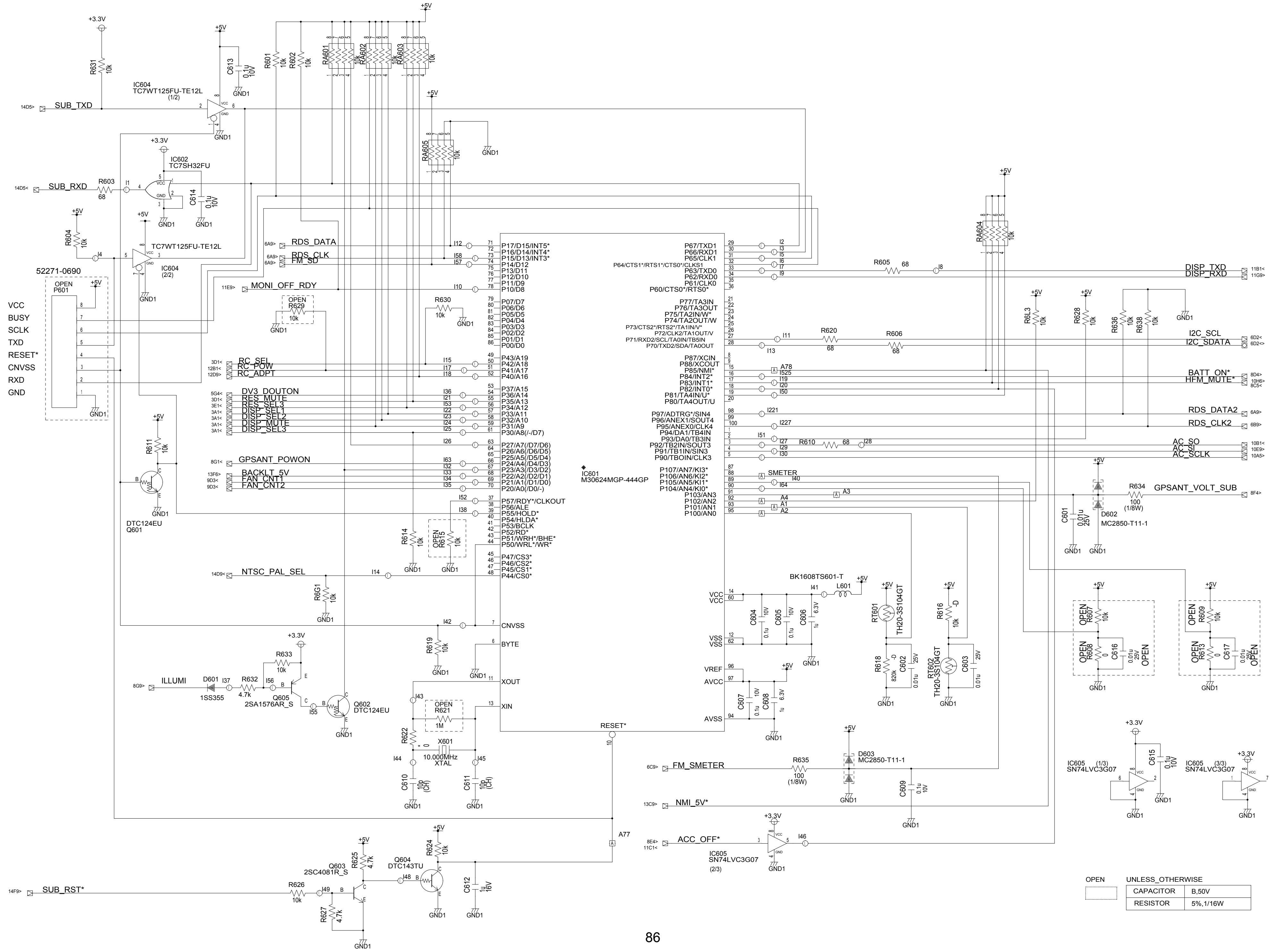
SCHEMATIC DIAGRAM DIGITAL Parts List MODEL : NR-261UM-07LAN4,-07-5WS

Refer to "22" for this model.

	10 NR-261EM-07AIR0 NR-261EM-07AIR1	11 NR-261UM-07LAN0 NR-261UM-07LAN1	12 NR-261EM-07PUG0	13 NR-261EM-07CTR0	14 NR-261RM-07PAJ0	15 NR-261EM-07AIR2 NR-261EM-07AIR3	16 NR-261UM-07LAN2 NR-261UM-07LAN4	17 NR-261RM-07PAJ1 NR-261RM-07PAJ2	18 NR-261EM-11AIR0 NR-261EM-07AIR4
C394	1u_6.3V_(B)	OPEN	1u_6.3V_(B)	1u_6.3V_(B)	1u_6.3V_(B)	1u_6.3V_(B)	1u_6.3V_(B)	1u_6.3V_(B)	1u_6.3V_(B)
C395	0.1u_10V_(B)	OPEN	0.1u_10V_(B)	0.1u_10V_(B)	0.1u_10V_(B)	0.1u_10V_(B)	0.1u_10V_(B)	0.1u_10V_(B)	0.1u_10V_(B)
C396	OPEN	0_-J_(1/16W)	OPEN	OPEN	OPEN	OPEN	0_-J_(1/16W)	OPEN	OPEN
C397	9p_50V_(CH)	OPEN	9p_50V_(CH)	9p_50V_(CH)	9p_50V_(CH)	9p_50V_(CH)	OPEN	9p_50V_(CH)	9p_50V_(CH)
C398	9p_50V_(CH)	OPEN	9p_50V_(CH)	9p_50V_(CH)	9p_50V_(CH)	9p_50V_(CH)	OPEN	9p_50V_(CH)	9p_50V_(CH)
C584	UWR0J221MCR1GB	UWR0J221MCR1GB	UWR0J221MCL1GB	UWR0J221MCL1GB	UWR0J221MCL1GB	UWR0J221MCL1GB	UWR0J221MCL1GB	UWR0J221MCL1GB	UWR0J221MCL1GB
C592	UWR0J221MCR1GB	UWR0J221MCR1GB	UWR0J221MCL1GB	UWR0J221MCL1GB	UWR0J221MCL1GB	UWR0J221MCL1GB	UWR0J221MCL1GB	UWR0J221MCL1GB	UWR0J221MCL1GB
C593	UWR0J221MCR1GB	UWR0J221MCR1GB	UWR0J221MCL1GB	UWR0J221MCL1GB	UWR0J221MCL1GB	UWR0J221MCL1GB	UWR0J221MCL1GB	UWR0J221MCL1GB	UWR0J221MCL1GB
C594	UWX1C101MCR1GB	UWX1C101MCR1GB	UWX1C101MCL1GB	UWX1C101MCL1GB	UWX1C101MCL1GB	UWX1C101MCL1GB	UWX1C101MCL1GB	UWX1C101MCL1GB	UWX1C101MCL1GB
IC300	R8A77700DA01BG	R8A77700DA01BG	R8A77700BDA01BGV	R8A77700BDA01BGV	R8A77700BDA01BGV	R8A77700BDA01BGV	R8A77700BDA01BGV	R8A77700BDA01BGV	R8A77700BDA01BGV
IC354	TC7WHU04FU-TE12L	OPEN	TC7WHU04FU-TE12L	TC7WHU04FU-TE12L	TC7WHU04FU-TE12L	TC7WHU04FU-TE12L	OPEN	TC7WHU04FU-TE12L	TC7WHU04FU-TE12L
IC401	M8M2DL163BE707N ASSY-ROM (N927L94313)	M8M2DL163BE707N ASSY-ROM (N927L97512)	S29JL032H707F1020D ASSY-ROM (N937L05811)	S29JL032H707F1020D ASSY-ROM (N937L05911)	S29JL032H707F1020D ASSY-ROM (N937L13111)	S29JL032H707F1020D ASSY-ROM (N937L18310)	S29JL032H707F1020D ASSY-ROM (N937L17910)	S29JL032H707F1020D ASSY-ROM (N937L16711)	S29JL032H707F1020D ASSY-ROM (N937L18310)
L351	BK1608TS601-T	OPEN	BK1608TS601-T	BK1608TS601-T	BK1608TS601-T	BK1608TS601-T	OPEN	BK1608TS601-T	BK1608TS601-T
P480	52610-3090	52610-3090	52610-3090	52610-3090	52610-3090	52610-3090	52610-3090	52610-3090	52610-3072
P550	9828S-80Y900	9828S-80Y900	9828S-80Y906	9828S-80Y906	9828S-80Y906	9828S-80Y906	9828S-80Y906	9828S-80Y906	9828S-80Y906
P551	9828S-80Y900	9828S-80Y900	9828S-80Y906	9828S-80Y906	9828S-80Y906	9828S-80Y906	9828S-80Y906	9828S-80Y906	9828S-80Y906
P560	9293S-50D-GF	9293S-50D-GF	9293S-50Y905	9293S-50Y905	9293S-50Y905	9293S-50Y905	9293S-50Y905	9293S-50Y905	9293S-50Y905
R378	22_-J_(1/16W)	OPEN	22_-J_(1/16W)	22_-J_(1/16W)	22_-J_(1/16W)	22_-J_(1/16W)	OPEN	22_-J_(1/16W)	22_-J_(1/16W)
R379	1M_-J_(1/16W)	OPEN	1M_-J_(1/16W)	1M_-J_(1/16W)	1M_-J_(1/16W)	1M_-J_(1/16W)	OPEN	1M_-J_(1/16W)	1M_-J_(1/16W)
R380	2.2k_-J_(1/16W)	OPEN	2.2k_-J_(1/16W)	2.2k_-J_(1/16W)	2.2k_-J_(1/16W)	2.2k_-J_(1/16W)	OPEN	2.2k_-J_(1/16W)	2.2k_-J_(1/16W)
X305	19.0480MHz_XTAL	OPEN	19.0480MHz_XTAL	19.0480MHz_XTAL	19.0480MHz_XTAL	19.0480MHz_XTAL	OPEN	19.0480MHz_XTAL	19.0480MHz_XTAL

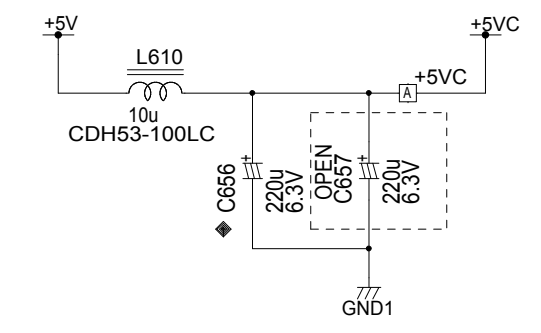
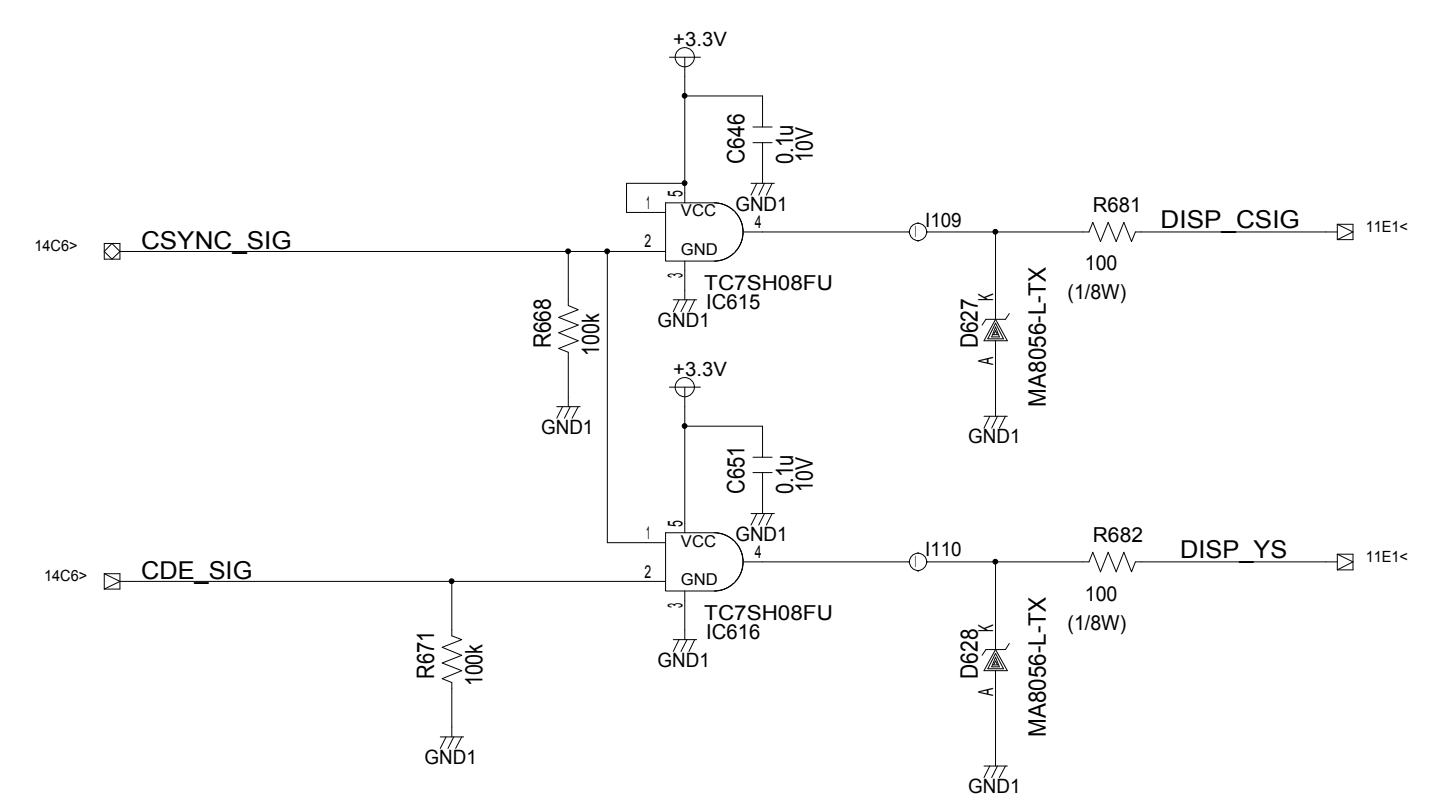
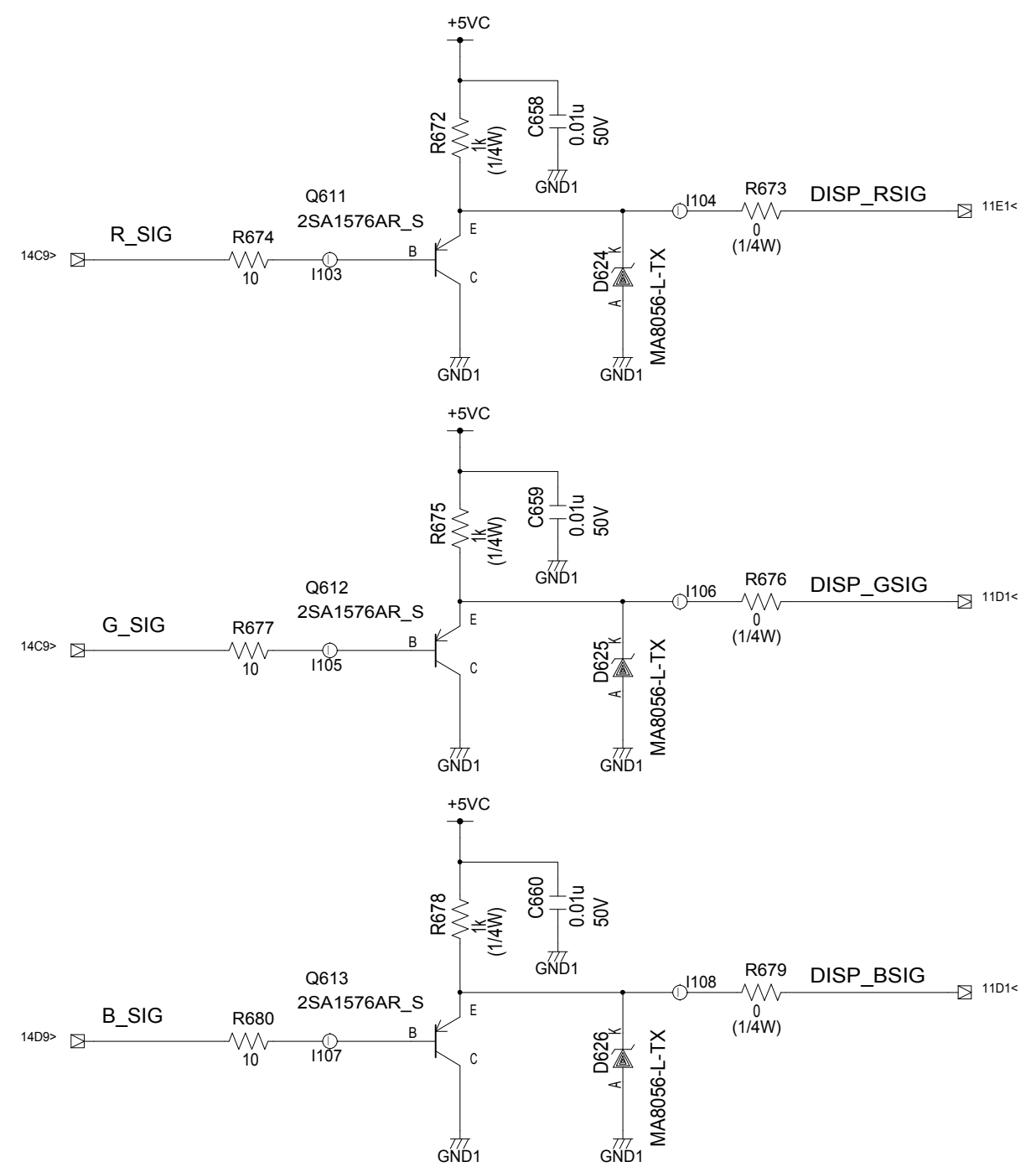
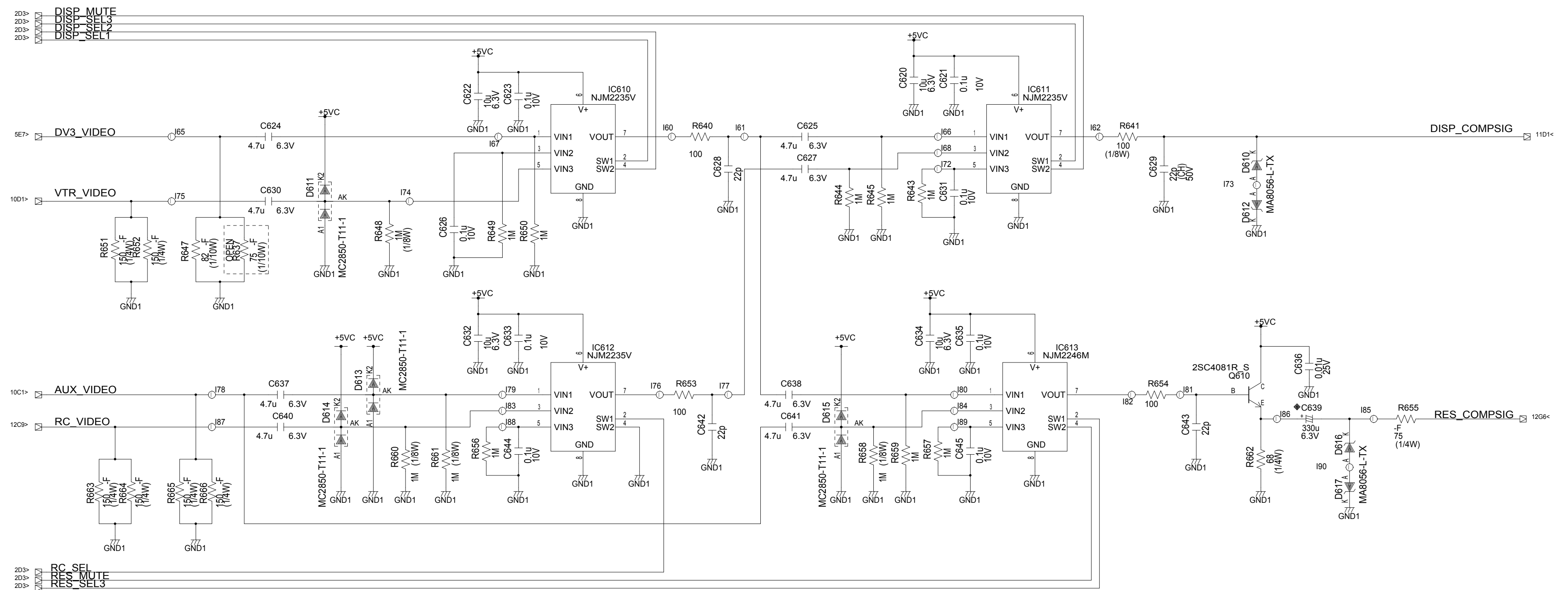
	19 NR-261EM-11PUG0 NR-261EM-11PUG1	20 NR-261EM-11CTR0 NR-261EM-11CTR1	21 NR-261RM-11PAJ0 NR-261RM-07PAJ2	22 NR-261UM-11LAN0 NR-261UM-07LAN4
C394	1u_6.3V_(B)	1u_6.3V_(B)	1u_6.3V_(B)	OPEN
C395	0.1u_10V_(B)	0.1u_10V_(B)	0.1u_10V_(B)	OPEN
C396	OPEN	OPEN	OPEN	0_-J_(1/16W)
C397	9p_50V_(CH)	9p_50V_(CH)	9p_50V_(CH)	OPEN
C398	9p_50V_(CH)	9p_50V_(CH)	9p_50V_(CH)	OPEN
C584	UWR0J221MCL1GB	UWR0J221MCL1GB	UWR0J221MCL1GB	UWR0J221MCL1GB
C592	UWR0J221MCL1GB	UWR0J221MCL1GB	UWR0J221MCL1GB	UWR0J221MCL1GB
C593	UWR0J221MCL1GB	UWR0J221MCL1GB	UWR0J221MCL1GB	UWR0J221MCL1GB
C594	UWX1C101MCL1GB	UWX1C101MCL1GB	UWX1C101MCL1GB	UWX1C101MCL1GB
IC300	R8A77700BDA01BGV	R8A77700BDA01BGV	R8A77700BDA01BGV	R8A77700BDA01BGV
IC354	TC7WHU04FU-TE12L	TC7WHU04FU-TE12L	TC7WHU04FU-TE12L	OPEN
IC401	S29JL032H707F1020D ASSY-ROM (N937L05811)	S29JL032H707F1020D ASSY-ROM (N937L05911)	S29JL032H707F1020D ASSY-ROM (N937L16711)	S29JL032H707F1020D ASSY-ROM (N937L17910)
L351	BK1608TS601-T	BK1608TS601-T	BK1608TS601-T	OPEN
P480	52610-3072	52610-3072	52610-3072	52610-3072
P550	9828S-80Y906	9828S-80Y906	9828S-80Y906	9828S-80Y906
P551	9828S-80Y906	9828S-80Y906	9828S-80Y906	9828S-80Y906
P560	9293S-50Y905	9293S-50Y905	9293S-50Y905	9293S-50Y905
R378	22_-J_(1/16W)	22_-J_(1/16W)	22_-J_(1/16W)	OPEN
R379	1M_-J_(1/16W)	1M_-J_(1/16W)	1M_-J_(1/16W)	OPEN
R380	2.2k_-J_(1/16W)	2.2k_-J_(1/16W)	2.2k_-J_(1/16W)	OPEN
X305	19.0480MHz_XTAL	19.0480MHz_XTAL	19.0480MHz_XTAL	OPEN

SCHEMATIC DIAGRAM ANALOG Sub CPU MODEL : NR-261UM-07LAN4,-07-5WS

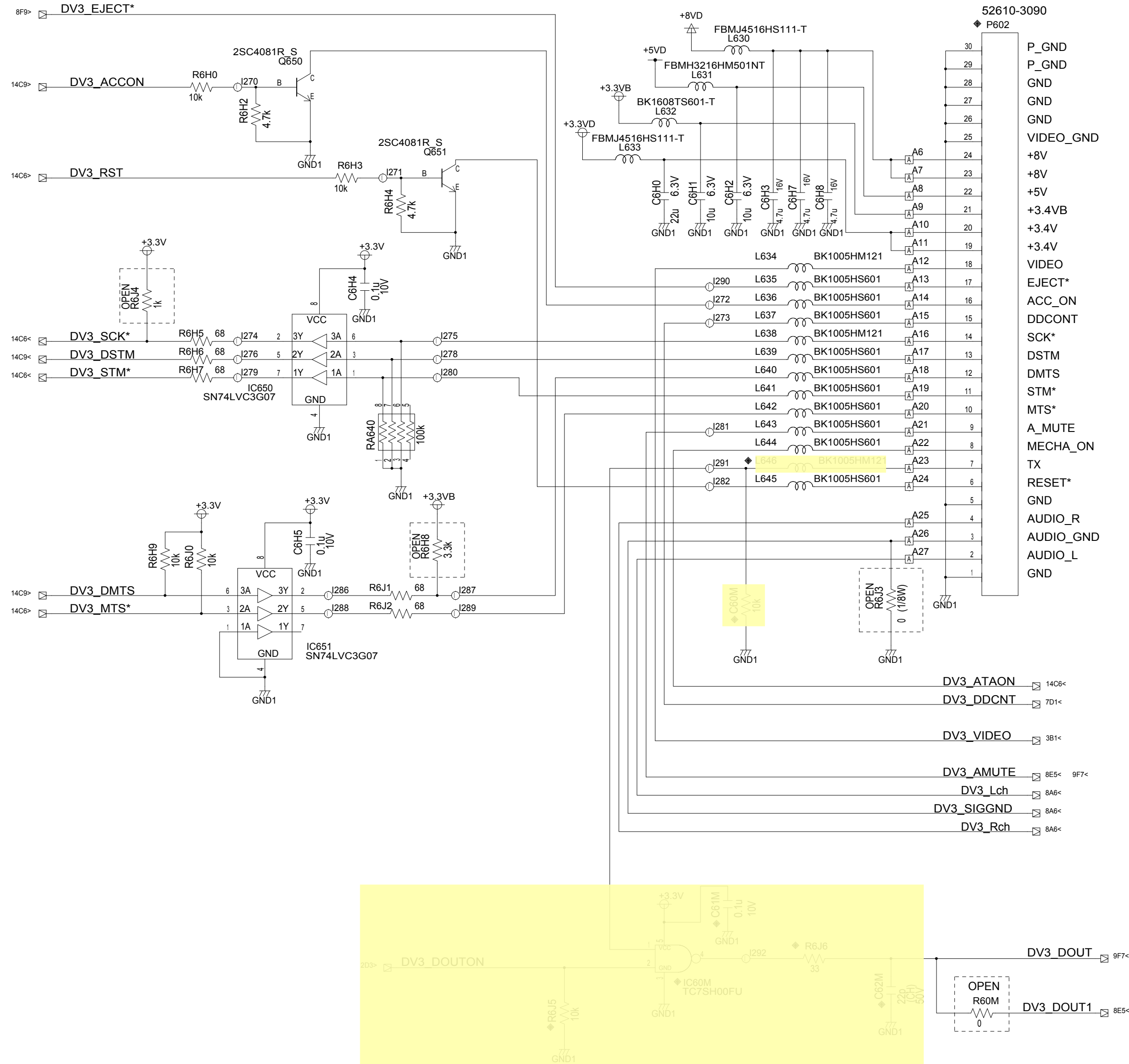


UNLESS OTHERWISE	
OPEN CAPACITOR	B,50V
RESISTOR	5%,1/16W

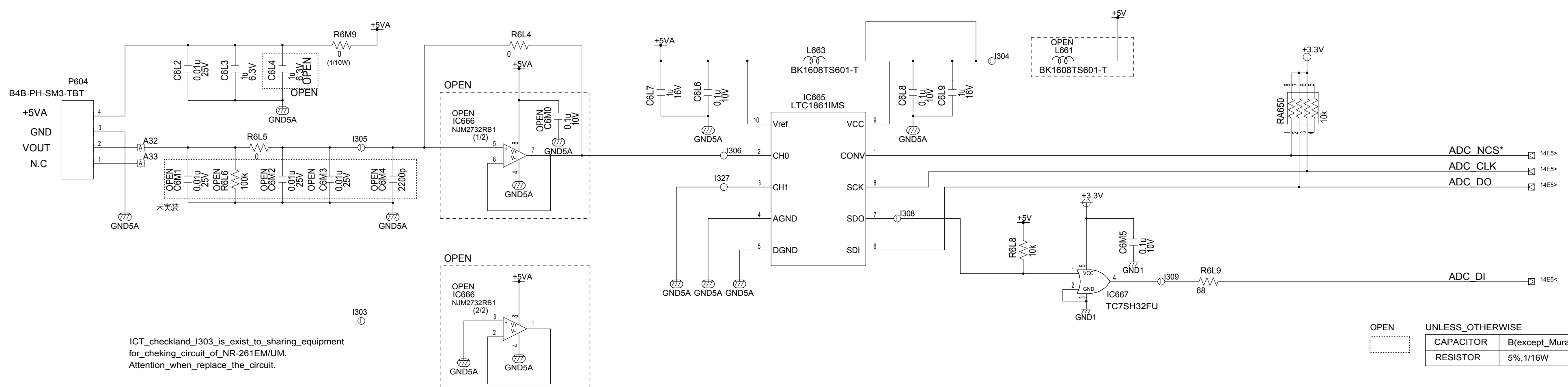
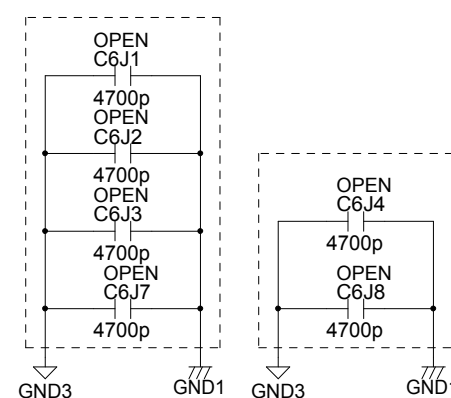
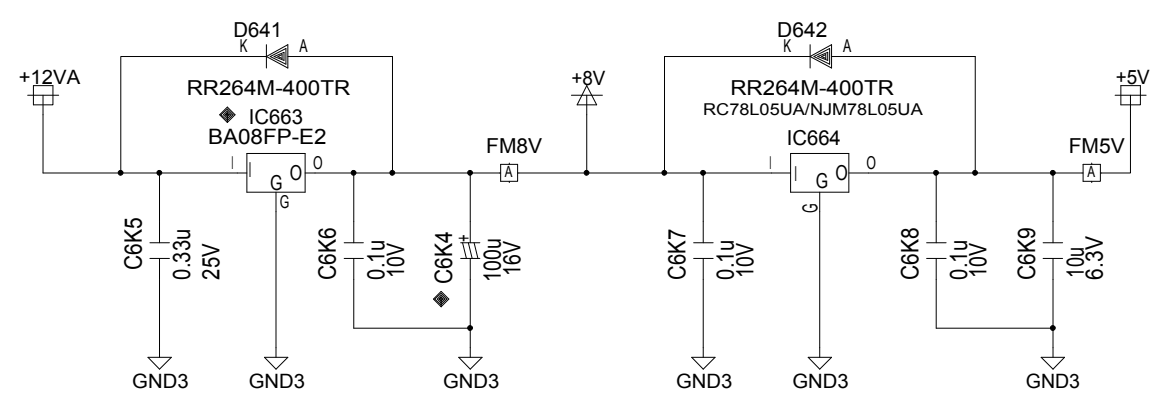
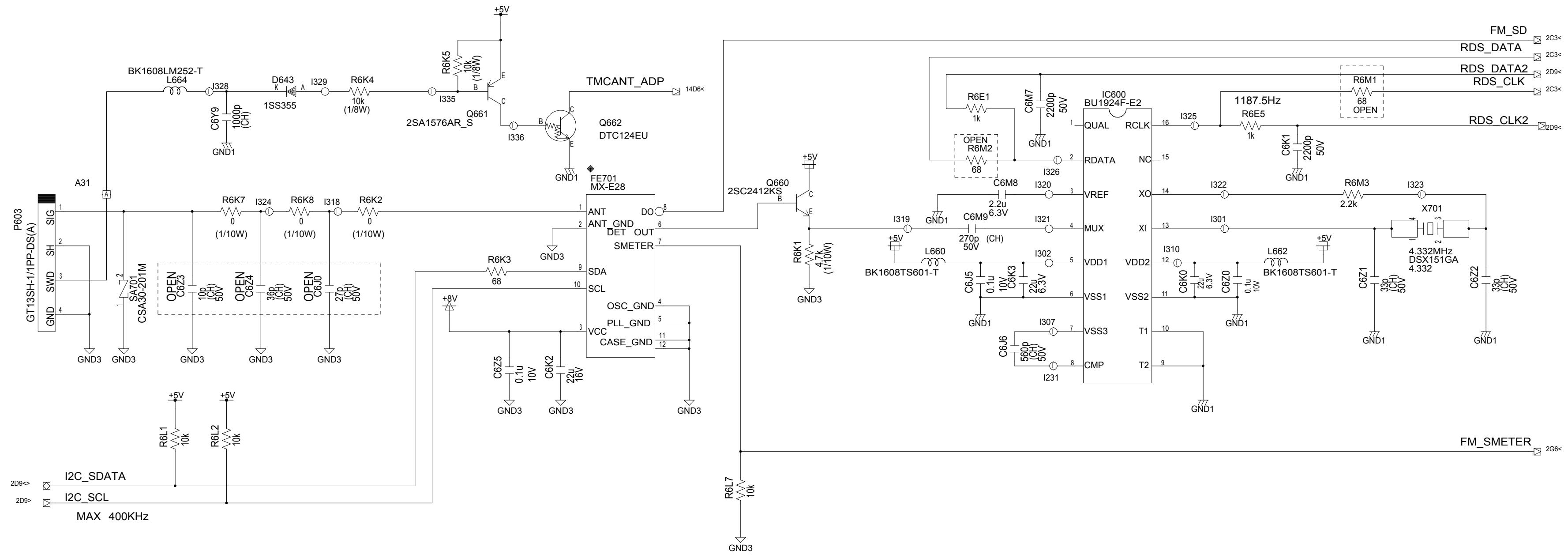
SCHEMATIC DIAGRAM ANALOG Video (RGB,NTSC) MODEL : NR-261UM-07LAN4,-07-5WS



SCHEMATIC DIAGRAM ANALOG DVD I/F (5Line Comm,etc.), SC MODEL : NR-261UM-07LAN4,-07-5WS



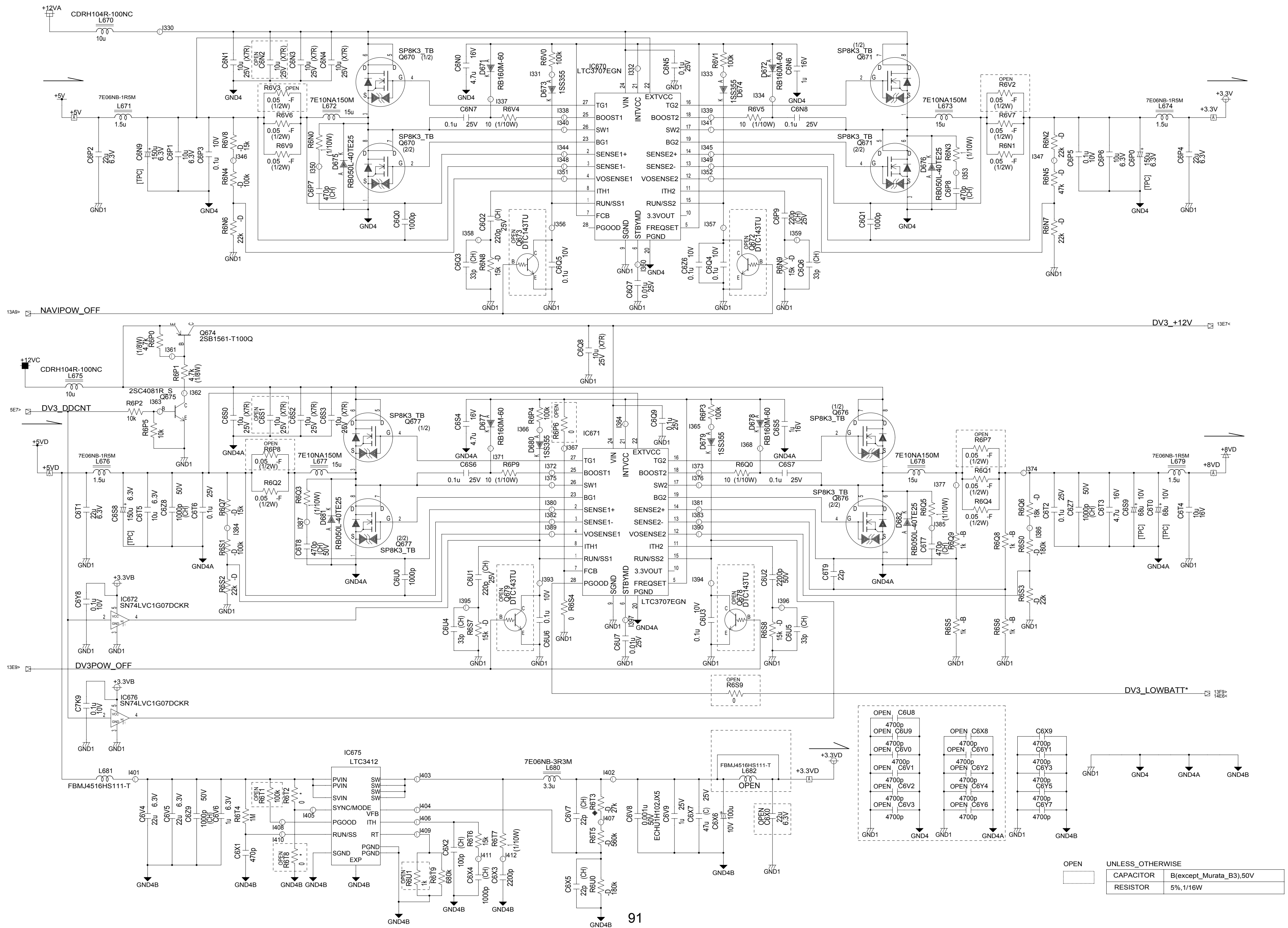
SCHEMATIC DIAGRAM ANALOG TMC Tuner & ADC MODEL : NR-261UM-07LAN4,-07-5WS



ICT_checkland_i303_is_exist_to_sharing_equipment
 for_checking_circuit_of_NR-261EM/UM.
 Attention_when_replace_the_circuit.

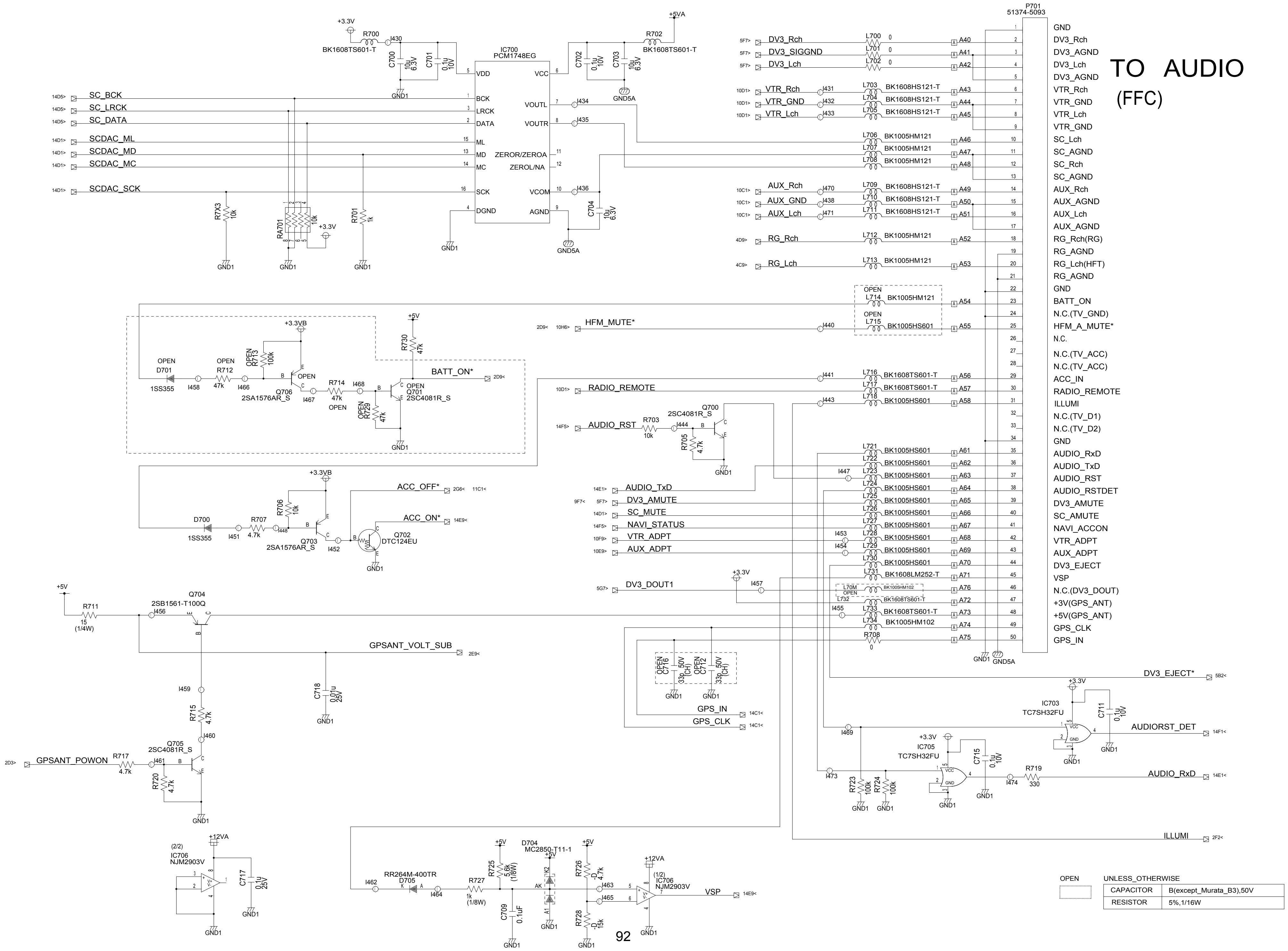
OPEN	UNLESS_OTHERWISE
CAPACITOR	B(except_Murata_B3),50V
RESISTOR	5%,1/16W

SCHEMATIC DIAGRAM ANALOG DC/DC Converter (DVD 8V,5V,3.4V,Navi 5V,3.3V) MODEL : NR-261UM-07LAN4,-07-5WS

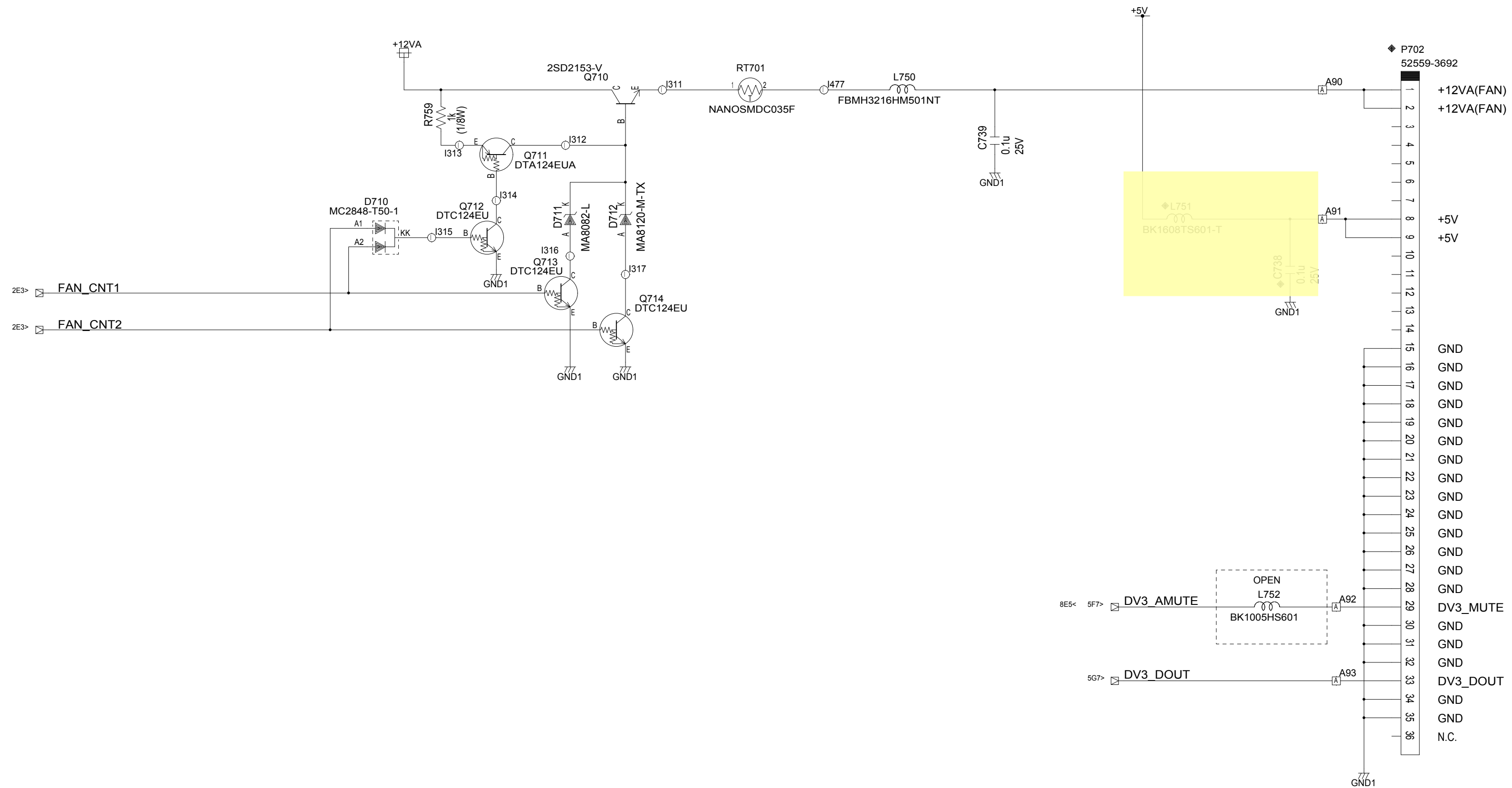


Symbol	Value	Notes
○	OPEN	UNLESS OTHERWISE
□	CAPACITOR	B(except_Murata_B3),50V
□	RESISTOR	5%,1/16W

SCHEMATIC DIAGRAM ANALOG Audio Board I/F MODEL : NR-261UM-07LAN4,-07-5WS

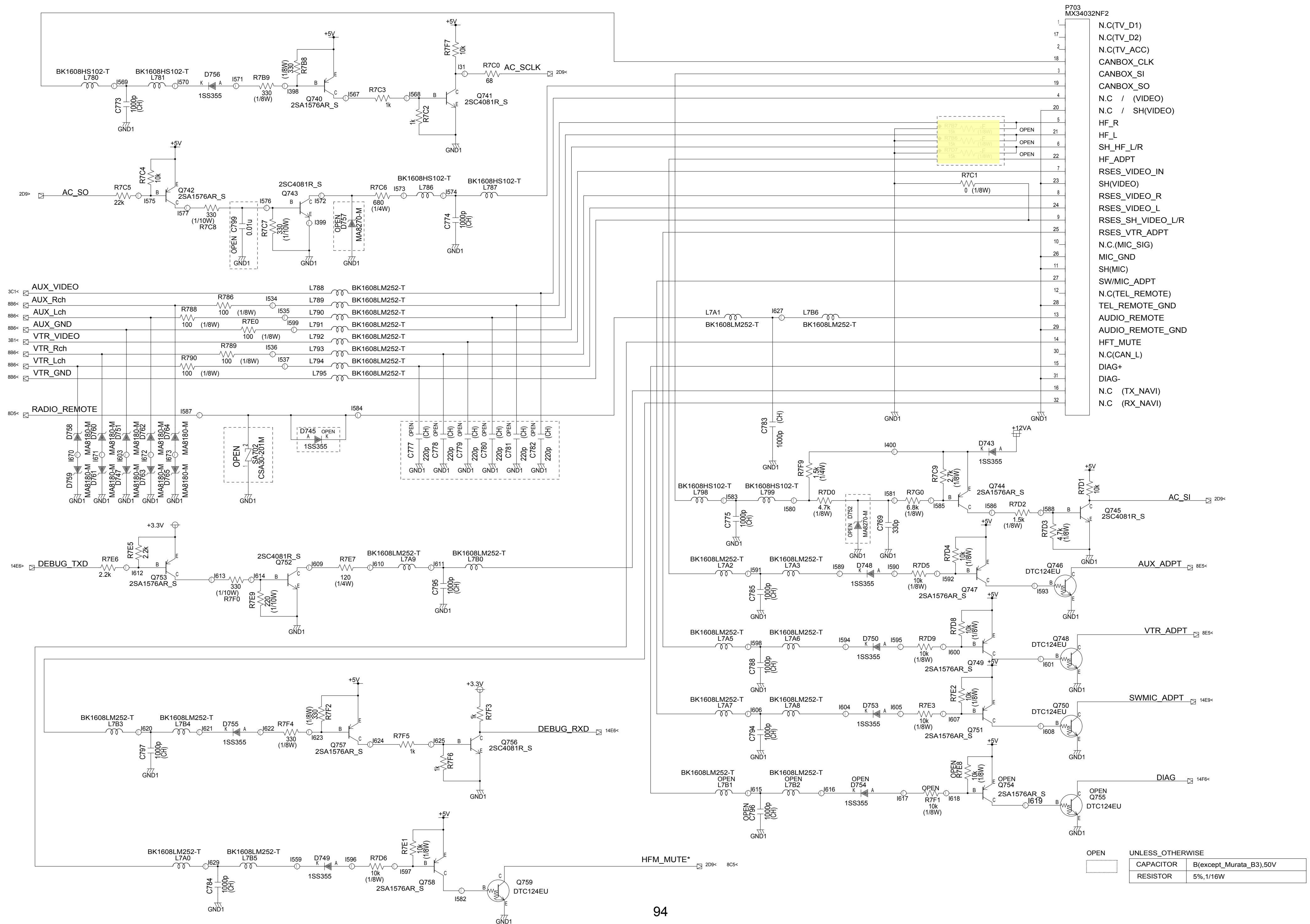


To Connector Board(FFC)

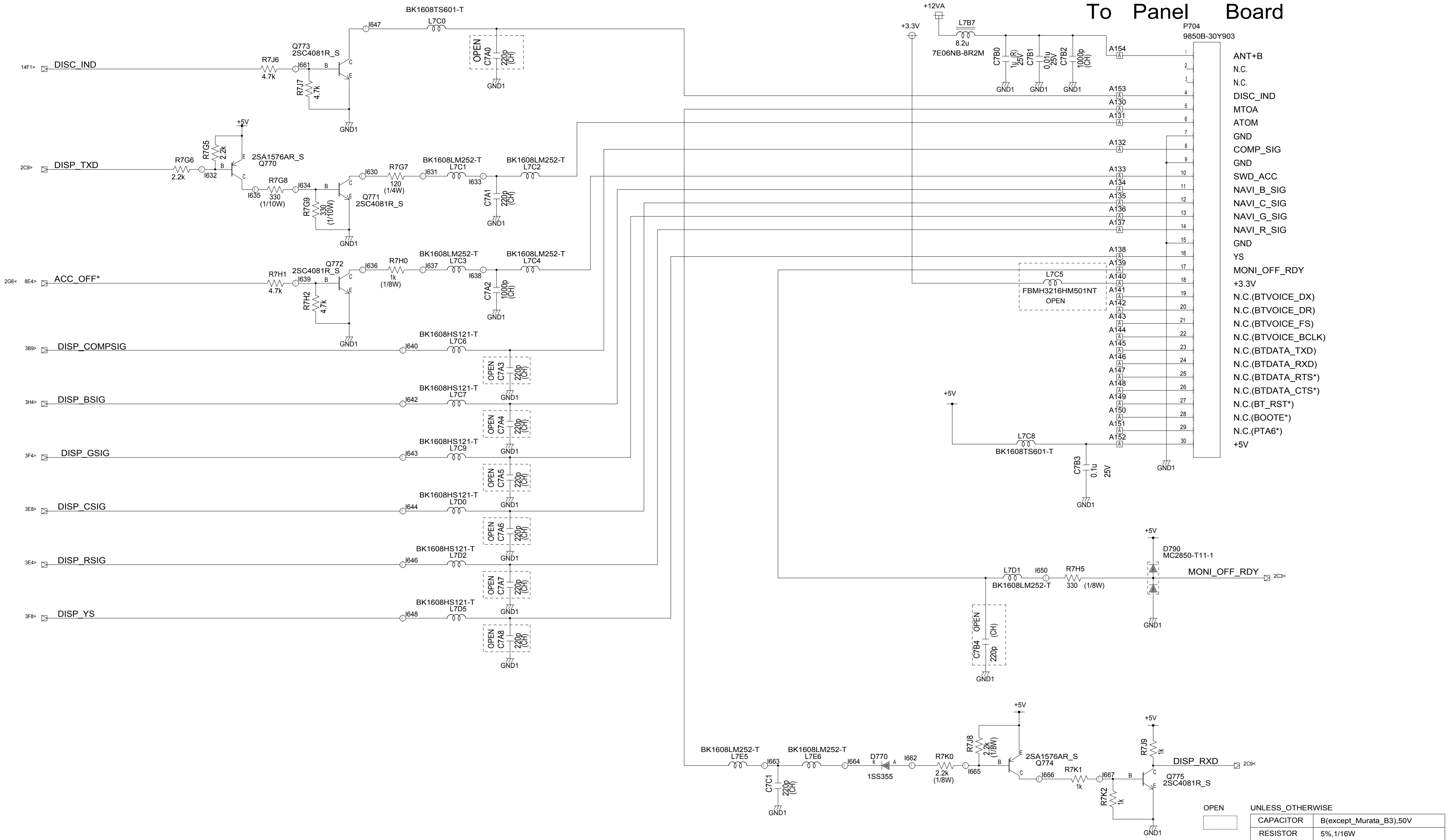


UNLESS_OTHERWISE	UNLESS_OTHERWISE
CAPACITOR	B(except_Murata_B3),50V
RESISTOR	5%,1/16W

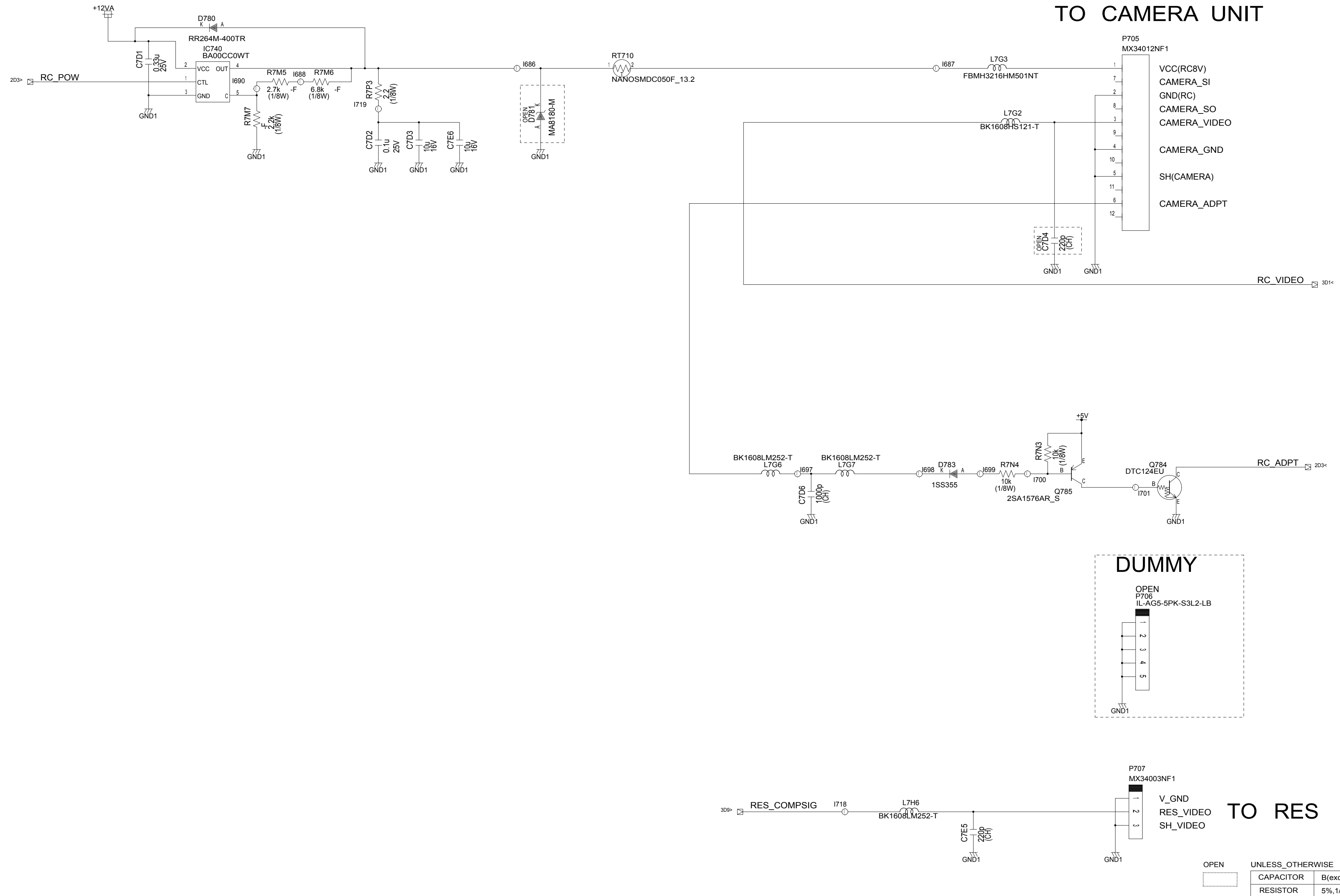
SCHEMATIC DIAGRAM ANALOG Vehicle Connector I/F (HFT,CAN,RSES,etc.) MODEL : NR-261UM-07LAN4,-07-5WS



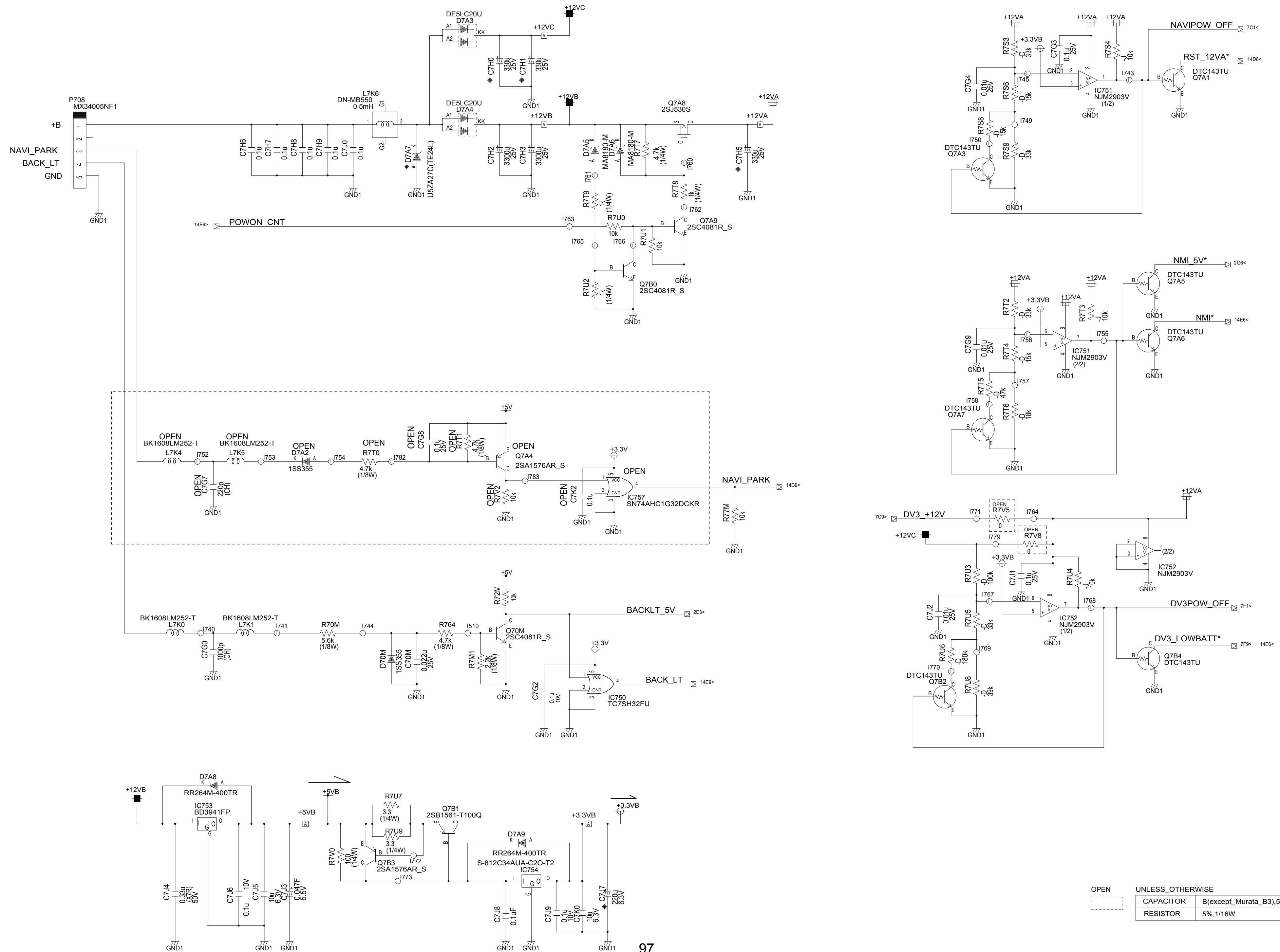
SCHEMATIC DIAGRAM ANALOG Panel Board I/F MODEL : NR-261UM-07LAN4,-07-5WS



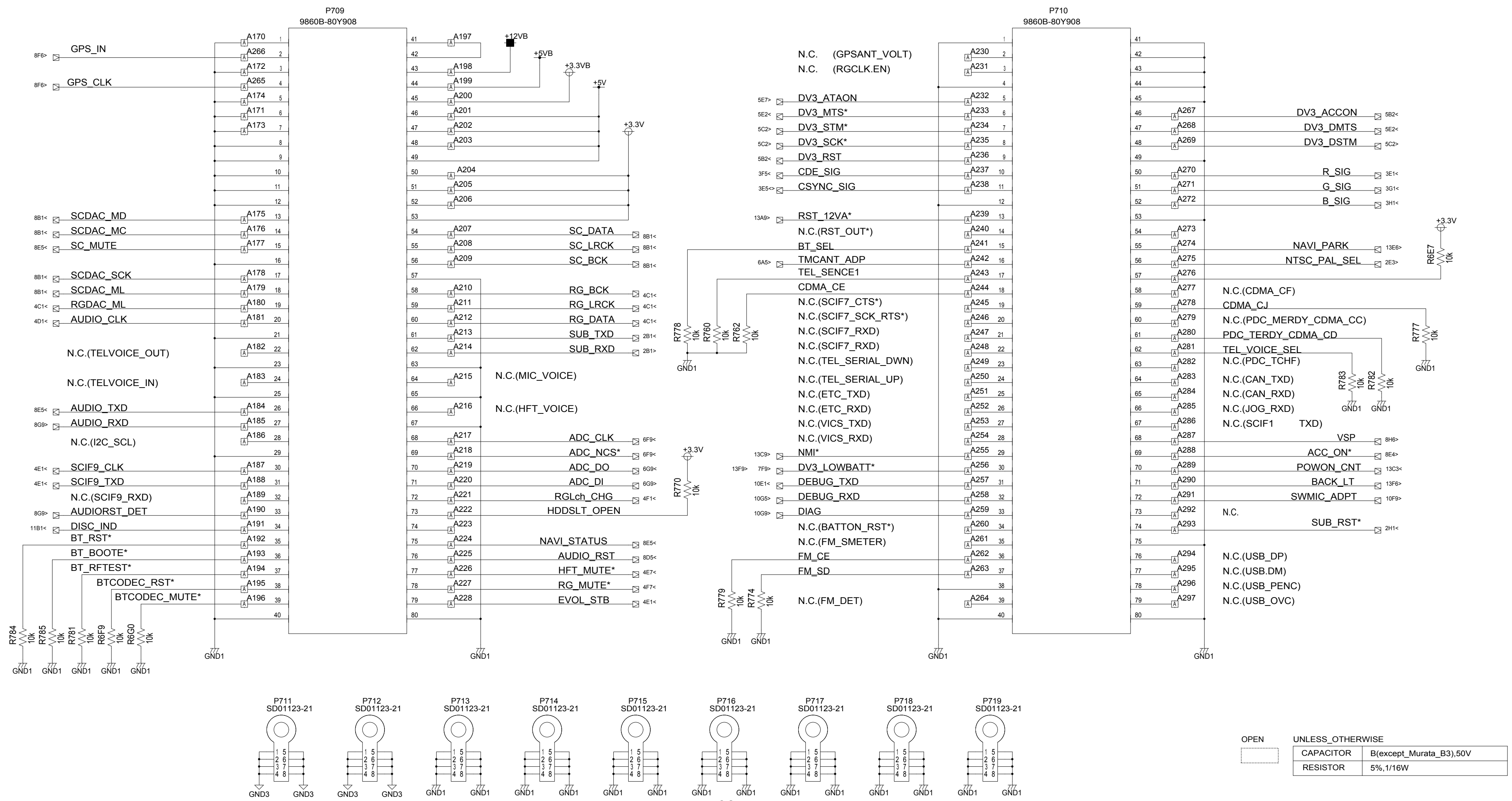
SCHEMATIC DIAGRAM ANALOG Camera Connector & RSES Connector I/F MODEL : NR-261UM-07LAN4,-07-5WS

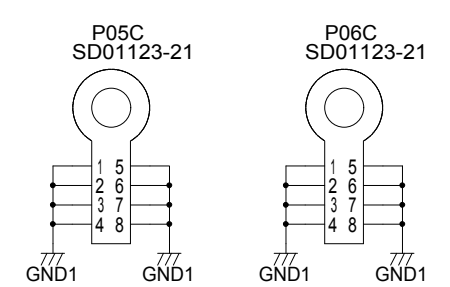
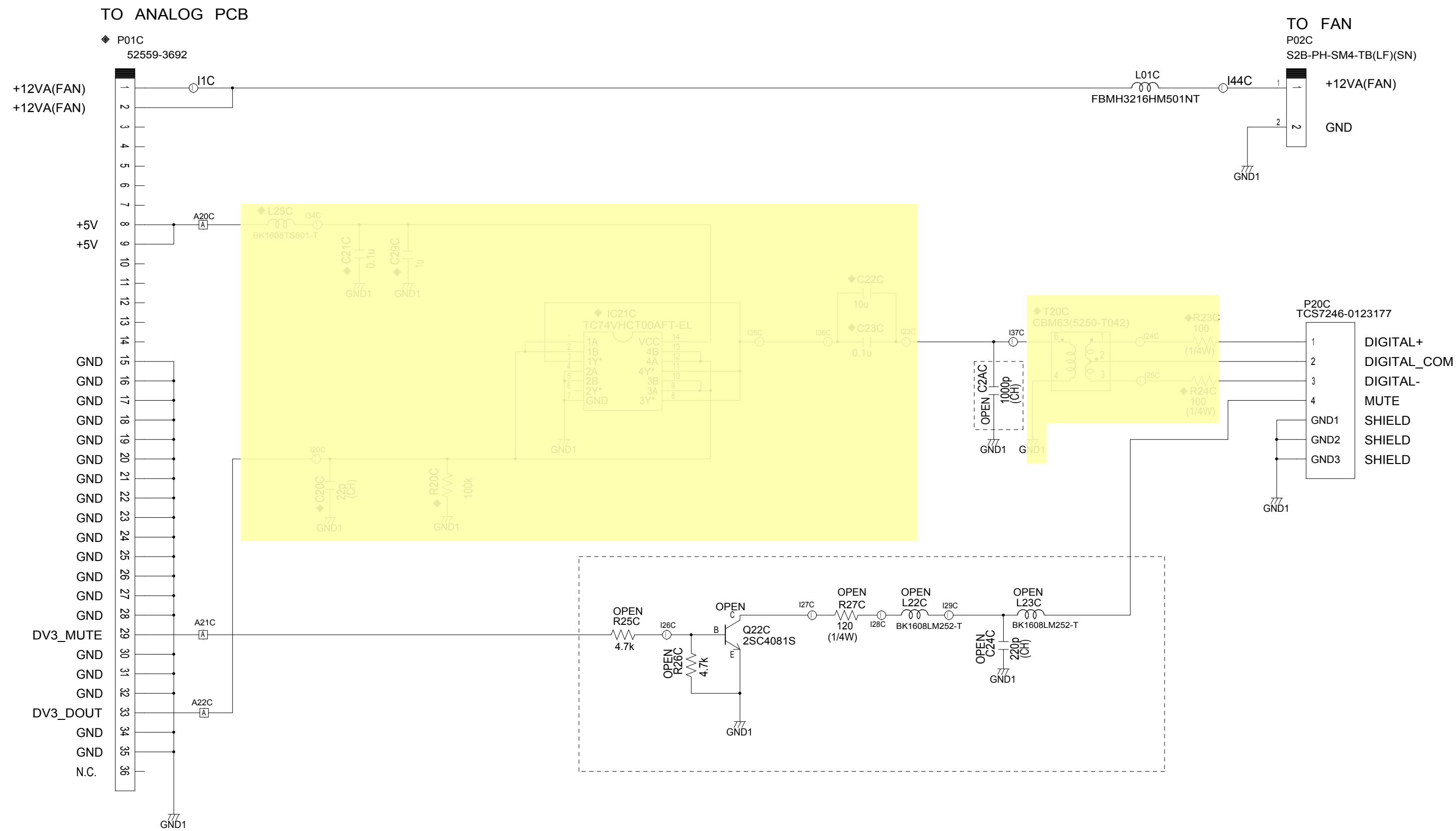


SCHEMATIC DIAGRAM ANALOG Vehicle Connector I/F (+B,BACK LT,NAVI PARK) MODEL : NR-261UM-07LAN4,-07-5WS



SCHEMATIC DIAGRAM ANALOG Connector (Digital Board I/F) MODEL : NR-261UM-07LAN4,-07-5WS





PCB-CONNECTOR

OPEN	UNLESS_OTHERWISE	
	CAPACITOR	B(except_Murata_B3),50V
	RESISTOR	5%,1/16W

SCHEMATIC DIAGRAM PCB-ANALOG,CONN MODEL : NR-261UM-07LAN4,-07-5WS

Refer to "17" for this model.

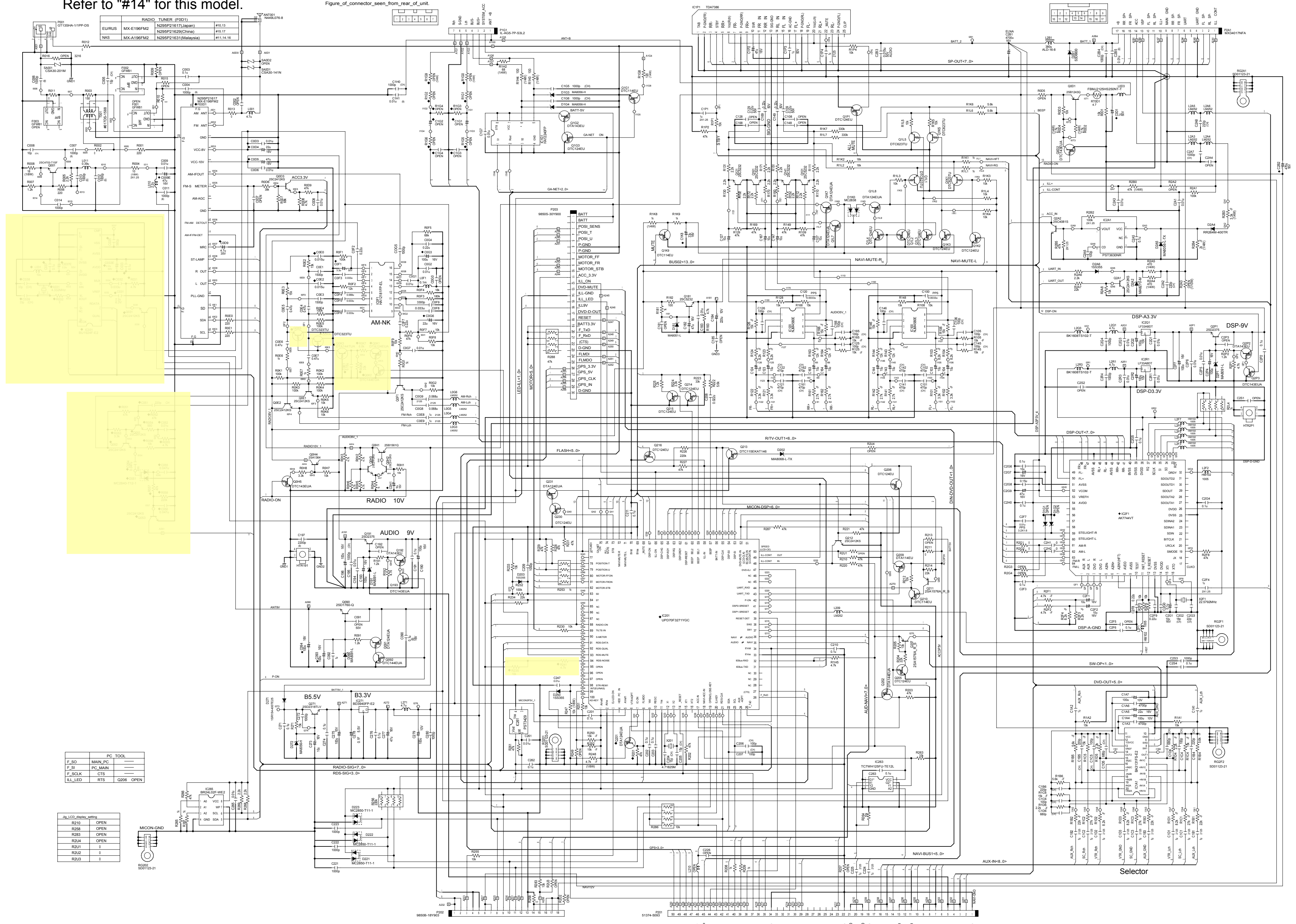
	10 NR-261EM-07AIR3	11 NR-261UM-07LAN3	12 NR-261EM-07AIR4/NR-261RM-07PAJ2	13 NR-261EM-07PUG0/NR-261EM-07CTR0	14 NR-261UM-07LAN4	15 NR-261EM-11AIR0/NR-261RM-11PAJ0 NR-261EM-07AIR4/NR-261RM-07PAJ2	16 NR-261EM-11PUG0/NR-261EM-11CTR0 NR-261EM-07PUG0/NR-261EM-07CTR0	17 NR-261UM-11LAN0 NR-261UM-07LAN4	18 NR-261EM-11PUG1/NR-261EM-11CTR1
C20C	22p_50V_(CH)	OPEN	22p_50V_(CH)	OPEN	OPEN	22p_50V_(CH)	OPEN	OPEN	OPEN
C21C	0.1u_16V_(B)	OPEN	0.1u_16V_(B)	OPEN	OPEN	0.1u_16V_(B)	OPEN	OPEN	OPEN
C22C	10u_6.3V_(B)	OPEN	10u_6.3V_(B)	OPEN	OPEN	10u_6.3V_(B)	OPEN	OPEN	OPEN
C23C	0.1u_16V_(B)	OPEN	0.1u_16V_(B)	OPEN	OPEN	0.1u_16V_(B)	OPEN	OPEN	OPEN
C29C	1u_16V_(B)	OPEN	1u_16V_(B)	OPEN	OPEN	1u_16V_(B)	OPEN	OPEN	OPEN
C60M	10k_-J_(1/16W)	OPEN	10k_-J_(1/16W)	OPEN	OPEN	10k_-J_(1/16W)	OPEN	OPEN	OPEN
C61M	0.1u_10V_(B)	OPEN	0.1u_10V_(B)	OPEN	OPEN	0.1u_10V_(B)	OPEN	OPEN	OPEN
C62M	22p_50V_(CH)	OPEN	22p_50V_(CH)	OPEN	OPEN	22p_50V_(CH)	OPEN	OPEN	OPEN
C738	0.1u_25V_(B)	OPEN	0.1u_25V_(B)	OPEN	OPEN	0.1u_25V_(B)	OPEN	OPEN	OPEN
D7A7	U5ZA27C(TE24L)	Z5W27VJ/P	Z5W27VJ/P	Z5W27VJ/P	Z5W27VJ/P	Z5W27VJ/P	Z5W27VJ/P	Z5W27VJ/P	Z5W27VJ/P
IC21C	TC74VHCT00AFT-EL	OPEN	TC74VHCT00AFT-EL	OPEN	OPEN	TC74VHCT00AFT-EL	OPEN	OPEN	OPEN
IC601	M30624MGP-444GP	M30624FGPGP	M30624MGP-444GP	M30624MGP-444GP	M30624MGP-C07GP	M30624MGP-444GP	M30624MGP-444GP	M30624MGP-C07GP	M30624MGP-444GP
IC60M	TC7SH00FU	OPEN	TC7SH00FU	OPEN	OPEN	TC7SH00FU	OPEN	OPEN	OPEN
IC663	BA08FP-E2	BA08FP-E2	BA08FP-E2	BA08FP-E2	BA08FP-E2	BA08CC0FP	BA08CC0FP	BA08CC0FP	BA08CC0FP
L25C	BK1608TS601-T	OPEN	BK1608TS601-T	OPEN	OPEN	BK1608TS601-T	OPEN	OPEN	OPEN
L646	BK1005HM121	OPEN	BK1005HM121	OPEN	OPEN	BK1005HM121	OPEN	OPEN	OPEN
L751	BK1608TS601-T	OPEN	BK1608TS601-T	OPEN	OPEN	BK1608TS601-T	OPEN	OPEN	OPEN
P01C	52559-3692	52559-3692	52559-3692	52559-3692	52559-3692	52559-3652	52559-3652	52559-3652	52559-3652
P602	30P TOP	30P TOP	30P TOP	30P TOP	30P TOP	52610-3072	52610-3072	52610-3072	52610-3072
P702	52559-3692	52559-3692	52559-3692	52559-3692	52559-3692	52559-3652	52559-3652	52559-3652	52559-3652
R20C	100k_-J_(1/10W)	OPEN	100k_-J_(1/10W)	OPEN	OPEN	100k_-J_(1/10W)	OPEN	OPEN	OPEN
R23C	100_-J_(1/4W)	OPEN	100_-J_(1/4W)	OPEN	OPEN	100_-J_(1/4W)	OPEN	OPEN	OPEN
R24C	100_-J_(1/4W)	OPEN	100_-J_(1/4W)	OPEN	OPEN	100_-J_(1/4W)	OPEN	OPEN	OPEN
R6J5	10k_-J_(1/16W)	OPEN	10k_-J_(1/16W)	OPEN	OPEN	10k_-J_(1/16W)	OPEN	OPEN	OPEN
R6J6	33_-J_(1/16W)	OPEN	33_-J_(1/16W)	OPEN	OPEN	33_-J_(1/16W)	OPEN	OPEN	OPEN
R6T3	27k_-D_(1/16W)	27k_-D_(1/16W)	27k_-D_(1/16W)	27k_-D_(1/16W)	27k_-D_(1/16W)	4.7k_-D_(1/16W)	4.7k_-D_(1/16W)	4.7k_-D_(1/16W)	4.7k_-D_(1/16W)
R7B6	OPEN	OPEN	OPEN	15k_-F_(1/8W)	OPEN	OPEN	15k_-F_(1/8W)	OPEN	OPEN
R7B7	OPEN	OPEN	OPEN	15k_-F_(1/8W)	OPEN	OPEN	15k_-F_(1/8W)	OPEN	OPEN
R7D7	OPEN	OPEN	OPEN	15k_-F_(1/8W)	OPEN	OPEN	15k_-F_(1/8W)	OPEN	OPEN
T20C	_CBM63(5250-T042)	OPEN	_CBM63(5250-T042)	OPEN	OPEN	_CBM63(5250-T042)	OPEN	OPEN	OPEN
C7J7	UWROJ221MCR1GB	UWROJ221MCR1GB	UWROJ221MCR1GB	UWROJ221MCR1GB	UWROJ221MCR1GB	UWROJ221MCL1GB	UWROJ221MCL1GB	UWROJ221MCL1GB	UWROJ221MCL1GB
C639	UWX0J331MCR1GB	UWX0J331MCR1GB	UWX0J331MCR1GB	UWX0J331MCR1GB	UWX0J331MCR1GB	UWX0J331MCL1PB	UWX0J331MCL1PB	UWX0J331MCL1PB	UWX0J331MCL1PB
C672	UWX1C101MCR1GB	UWX1C101MCR1GB	UWX1C101MCR1GB	UWX1C101MCR1GB	UWX1C101MCR1GB	UWX1C101MCL1GB	UWX1C101MCL1GB	UWX1C101MCL1GB	UWX1C101MCL1GB
C6C2	UWX1C101MCR1GB	UWX1C101MCR1GB	UWX1C101MCR1GB	UWX1C101MCR1GB	UWX1C101MCR1GB	UWX1C101MCL1GB	UWX1C101MCL1GB	UWX1C101MCL1GB	UWX1C101MCL1GB
C6C3	EEVFK1C101P	EEVFK1C101P	EEVFK1C101P	EEVFK1C101P	EEVFK1C101P	EEEFK1C101P	EEEFK1C101P	EEEFK1C101P	EEEFK1C101P
C6K4	EEVFK1C101P	EEVFK1C101P	EEVFK1C101P	EEVFK1C101P	EEVFK1C101P	EEEFK1C101P	EEEFK1C101P	EEEFK1C101P	EEEFK1C101P
C7H0	EEVFK1E331P	EEVFK1E331P	EEVFK1E331P	EEVFK1E331P	EEVFK1E331P	EEEFK1E331P	EEEFK1E331P	EEEFK1E331P	EEEFK1E331P
C7H1	EEVFK1E331P	EEVFK1E331P	EEVFK1E331P	EEVFK1E331P	EEVFK1E331P	EEEFK1E331P	EEEFK1E331P	EEEFK1E331P	EEEFK1E331P
C7H5	EEVFK1E331P	EEVFK1E331P	EEVFK1E331P	EEVFK1E331P	EEVFK1E331P	EEEFK1E331P	EEEFK1E331P	EEEFK1E331P	EEEFK1E331P
C656	EEVFK0J221P	EEVFK0J221P	EEVFK0J221P	EEVFK0J221P	EEVFK0J221P	EEEFK0J221P	EEEFK0J221P	EEEFK0J221P	EEEFK0J221P
FE701	MX-E28 (N295P21811)	MX-E28 (N295P21811)	MX-E28 (N295P21811)	MX-E28 (N295P21811)	MX-E28 (N295P21811)	MX-E28 (N295P21821)	MX-E28 (N295P21821)	MX-E28 (N295P21821)	MX-E28 (N295P21821)

SCHEMATIC DIAGRAM PCB-AUDIO MODEL : NR-261UM-07LAN4,-07-5WS

Refer to "#14" for this model.

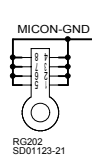
Figure_of_connector_seen_from_rear_of_unit

Figure_of_connector_seen_from_rear_of_unit



	PC TOOL
F_S0	MAIN_PC
F_S1	PC_MAIN
F_SCLK	CTS
ALL_LED	RTS Q206 OPEN

Jig_LCD_display_setting	
R210	OPEN
R258	OPEN
R263	OPEN
R234	OPEN
R2U1	0
R2U2	0
R2U3	0

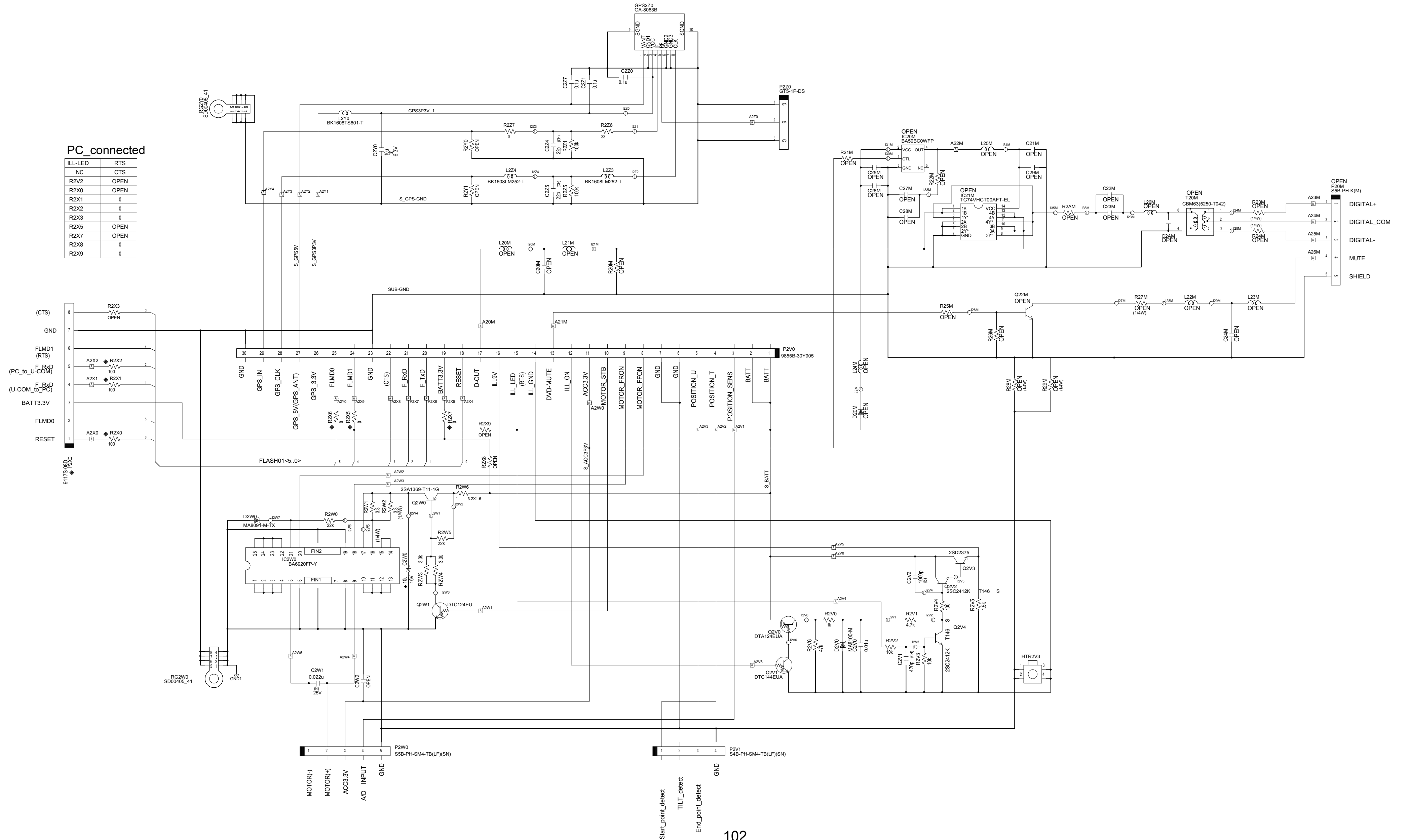


Selector

SCHEMATIC DIAGRAM PCB-GPS MODEL : NR-261UM-07LAN4,-07-5WS

PC_connected

ILL-LED	RTS
NC	CTS
R2V2	OPEN
R2X0	OPEN
R2X1	0
R2X2	0
R2X3	0
R2X5	0
R2X8	OPEN
R2X7	0
R2X9	0

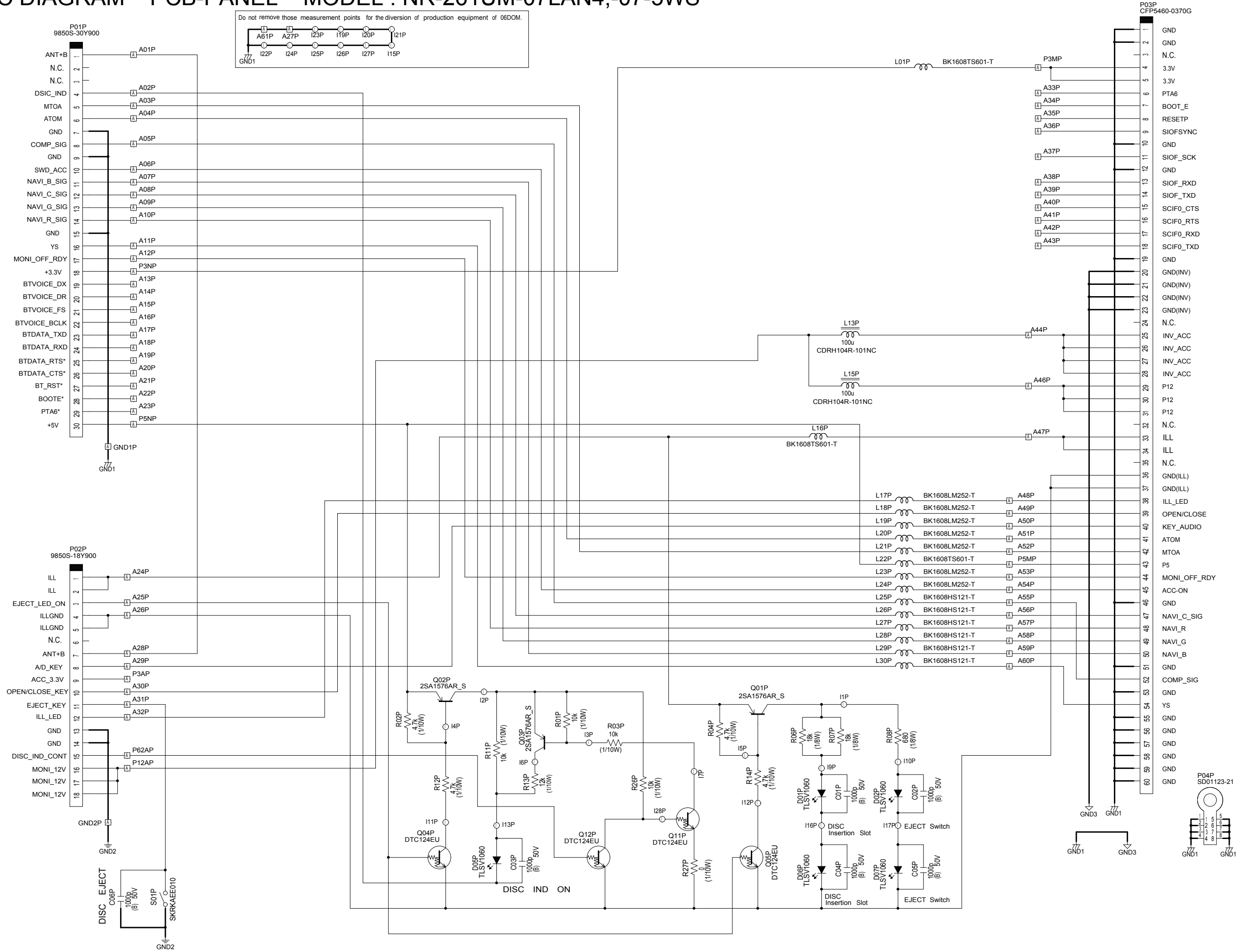


SCHEMATIC DIAGRAM PCB-AUDIO,GPS MODEL : NR-261UM-07LAN4,-07-5WS

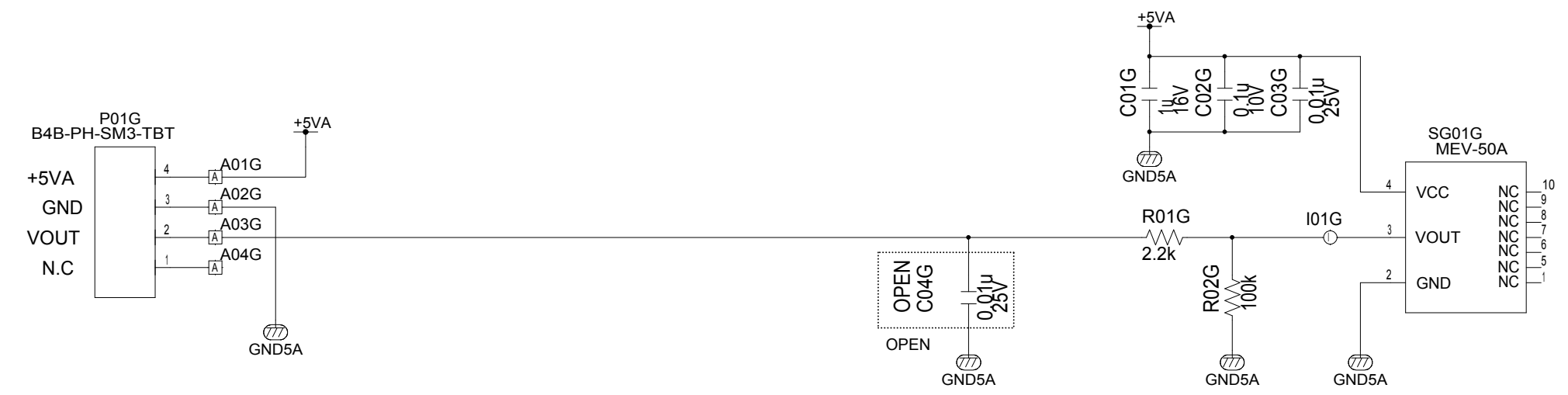
Refer to "14" for this model.

	10 (NR-261EM-07AIR3)	11 (NR-261UM-07LAN3)	12 (OLD-NR-261RM-PAJ2)	13 (NR-261EM-07AIR4/NR-261RM-07PAJ2)	14 (NR-261UM-07LAN4)	15 (NR-261EM-11AIR0/NR-261RM-11PAJ0)	16 (NR-261UM-11LAN0)	17 (NR-261EM-11PUG1/NR-261EM-11CTR1)	18 (NR-261UM-07LAN5)	19 (NR-261EM-07AIR5)
C009E	47u_16V	47u_16V	47u_16V	47u_16V	47u_16V	47u_16V	47u_16V	47u_16V	47u_16V	47u_16V
C001	2.2u_6.3V_(B)	OPEN	2.2u_6.3V_(B)	2.2u_6.3V_(B)	OPEN	2.2u_6.3V_(B)	OPEN	2.2u_6.3V_(B)	OPEN	2.2u_6.3V_(B)
C032	0.033u_16V_(B)	OPEN	0.033u_16V_(B)	0.033u_16V_(B)	OPEN	0.033u_16V_(B)	OPEN	0.033u_16V_(B)	OPEN	0.033u_16V_(B)
C033	0.1u_16V_(B)	OPEN	0.1u_16V_(B)	0.1u_16V_(B)	OPEN	0.1u_16V_(B)	OPEN	0.1u_16V_(B)	OPEN	0.1u_16V_(B)
C033E	2.2u_50V	OPEN	2.2u_50V	2.2u_50V	OPEN	2.2u_50V	OPEN	2.2u_50V	OPEN	2.2u_50V
C035	560p_50V_(CH)	OPEN	560p_50V_(CH)	560p_50V_(CH)	OPEN	560p_50V_(CH)	OPEN	560p_50V_(CH)	OPEN	560p_50V_(CH)
C037	0.1u_16V_(B)	OPEN	0.1u_16V_(B)	0.1u_16V_(B)	OPEN	0.1u_16V_(B)	OPEN	0.1u_16V_(B)	OPEN	0.1u_16V_(B)
C037E	2.2u_50V	OPEN	2.2u_50V	2.2u_50V	OPEN	2.2u_50V	OPEN	2.2u_50V	OPEN	2.2u_50V
C038	33p_50V_(CH)	OPEN	33p_50V_(CH)	33p_50V_(CH)	OPEN	33p_50V_(CH)	OPEN	33p_50V_(CH)	OPEN	33p_50V_(CH)
C039	33p_50V_(CH)	OPEN	33p_50V_(CH)	33p_50V_(CH)	OPEN	33p_50V_(CH)	OPEN	33p_50V_(CH)	OPEN	33p_50V_(CH)
C051	220p_50V_(CH)	OPEN	220p_50V_(CH)	220p_50V_(CH)	OPEN	220p_50V_(CH)	OPEN	220p_50V_(CH)	OPEN	220p_50V_(CH)
C052	0.01u_50V_(B)	OPEN	0.01u_50V_(B)	0.01u_50V_(B)	OPEN	0.01u_50V_(B)	OPEN	0.01u_50V_(B)	OPEN	0.01u_50V_(B)
C054	0.047u_16V_(B)	OPEN	0.047u_16V_(B)	0.047u_16V_(B)	OPEN	0.047u_16V_(B)	OPEN	0.047u_16V_(B)	OPEN	0.047u_16V_(B)
C055	0.047u_16V_(B)	OPEN	0.047u_16V_(B)	0.047u_16V_(B)	OPEN	0.047u_16V_(B)	OPEN	0.047u_16V_(B)	OPEN	0.047u_16V_(B)
C056	0.047u_16V_(B)	OPEN	0.047u_16V_(B)	0.047u_16V_(B)	OPEN	0.047u_16V_(B)	OPEN	0.047u_16V_(B)	OPEN	0.047u_16V_(B)
C093	100u_16V	100u_16V	100u_16V	100u_16V	100u_16V	100u_16V	100u_16V	100u_16V	100u_16V	100u_16V
C094	100u_16V	100u_16V	100u_16V	100u_16V	100u_16V	100u_16V	100u_16V	100u_16V	100u_16V	100u_16V
C001	1u_50V	1u_50V	1u_50V	1u_50V	1u_50V	1u_50V	1u_50V	1u_50V	1u_50V	1u_50V
C004	22u_16V	22u_16V	22u_16V	22u_16V	22u_16V	22u_16V	22u_16V	22u_16V	22u_16V	22u_16V
C005	47u_16V	47u_16V	47u_16V	47u_16V	47u_16V	47u_16V	47u_16V	47u_16V	47u_16V	47u_16V
C009	4.7u_35V	4.7u_35V	4.7u_35V	4.7u_35V	4.7u_35V	4.7u_35V	4.7u_35V	4.7u_35V	4.7u_35V	4.7u_35V
C020	0.015u_50V_(B)	0.022u_25V_(B)	0.015u_50V_(B)	0.015u_50V_(B)	0.022u_25V_(B)	0.015u_50V_(B)	0.022u_25V_(B)	0.015u_50V_(B)	0.022u_25V_(B)	0.015u_50V_(B)
C022	0.015u_50V_(B)	0.022u_25V_(B)	0.015u_50V_(B)	0.015u_50V_(B)	0.022u_25V_(B)	0.015u_50V_(B)	0.022u_25V_(B)	0.015u_50V_(B)	0.022u_25V_(B)	0.015u_50V_(B)
C021	3.3u_50V	3.3u_50V	3.3u_50V	3.3u_50V	3.3u_50V	3.3u_50V	3.3u_50V	3.3u_50V	3.3u_50V	3.3u_50V
C023	100u_16V	100u_16V	100u_16V	100u_16V	100u_16V	100u_16V	100u_16V	100u_16V	100u_16V	100u_16V
C026	22u_16V	22u_16V	22u_16V	22u_16V	22u_16V	22u_16V	22u_16V	22u_16V	22u_16V	22u_16V
C091	10u_16V	10u_16V	10u_16V	10u_16V	10u_16V	10u_16V	10u_16V	10u_16V	10u_16V	10u_16V
C0K1	0.15u_16V_(B)	OPEN	0.15u_16V_(B)	0.15u_16V_(B)	OPEN	0.15u_16V_(B)	OPEN	0.15u_16V_(B)	OPEN	0.15u_16V_(B)
C1G1	OPEN	4.7u_35V	OPEN	OPEN	4.7u_35V	OPEN	OPEN	4.7u_35V	OPEN	OPEN
C1G2	OPEN	4.7u_35V	OPEN	OPEN	4.7u_35V	OPEN	OPEN	4.7u_35V	OPEN	OPEN
C1G3	OPEN	470p_50V_(B)	OPEN	OPEN	470p_50V_(B)	OPEN	OPEN	470p_50V_(B)	OPEN	OPEN
C1G4	OPEN	470p_50V_(B)	OPEN	OPEN	470p_50V_(B)	OPEN	OPEN	470p_50V_(B)	OPEN	OPEN
C1K8	33u_16V	33u_16V	33u_16V	33u_16V	33u_16V	33u_16V	33u_16V	33u_16V	33u_16V	33u_16V
C2B2	470u_16V	470u_16V	470u_16V	470u_16V	470u_16V	470u_16V	470u_16V	470u_16V	470u_16V	470u_16V
C2W0	10u_16V	10u_16V	10u_16V	10u_16V	10u_16V	10u_16V	10u_16V	10u_16V	10u_16V	10u_16V
D1G1	OPEN	MA8270-M	OPEN	OPEN	MA8270-M	OPEN	OPEN	MA8270-M	OPEN	OPEN
D1G2	OPEN	MA8270-M	OPEN	OPEN	MA8270-M	OPEN	OPEN	MA8270-M	OPEN	OPEN
F001	MX-E196FM2	MX-A196FM2	MX-E196FM2	MX-E196FM2	MX-A196FM2	MX-E196FM2	MX-A196FM2	MX-E196FM2	MX-A196FM2	MX-E196FM2
I001	BU1924F-E2	OPEN	BU1924F-E2	BU1924F-E2	OPEN	BU1924F-E2	OPEN	BU1924F-E2	OPEN	BU1924F-E2
I021	UPD70F3271YGC	UPD70F3271YGC	UPD70F3271YGC	UPD70F3271YGC-330-8EA-A	UPD70F3271YGC-330-8EA-A	UPD70F3271YGC-330-8EA-A	UPD70F3271YGC-330-8EA-A	UPD70F3271YGC	UPD70F3271YGC	UPD70F3271YGC
I021	AK7744XT	AK7744XT	AK7744XT	AK7744XR	AK7744XT	AK7744XR	AK7744XR	AK7744XR	AK7744XR	AK7744XR
L01	10u_LB2016T100K	OPEN	10u_LB2016T100K	10u_LB2016T100K	OPEN	10u_LB2016T100K	OPEN	10u_LB2016T100K	OPEN	10u_LB2016T100K
P210	9117S-08D	OPEN	9117S-08D	OPEN	OPEN	OPEN	OPEN	9117S-08D	OPEN	9117S-08D
Q031	2SC2412K T146 S	OPEN	2SC2412K T146 S	2SC2412K T146 S	OPEN	2SC2412K T146 S	OPEN	2SC2412K T146 S	OPEN	2SC2412K T146 S
Q051	2SC2412K T146 S	OPEN	2SC2412K T146 S	2SC2412K T146 S	OPEN	2SC2412K T146 S	OPEN	2SC2412K T146 S	OPEN	2SC2412K T146 S
Q052	2SC2412K T146 S	OPEN	2SC2412K T146 S	2SC2412K T146 S	OPEN	2SC2412K T146 S	OPEN	2SC2412K T146 S	OPEN	2SC2412K T146 S
Q053	2SC2412K T146 S	OPEN	2SC2412K T146 S	2SC2412K T146 S	OPEN	2SC2412K T146 S	OPEN	2SC2412K T146 S	OPEN	2SC2412K T146 S
Q0K1	DTA124EUA	OPEN	DTA124EUA	DTA124EUA	OPEN	DTA124EUA	OPEN	DTA124EUA	OPEN	DTA124EUA
Q0K2	DTC144EUA	OPEN	DTC144EUA	DTC144EUA	OPEN	DTC144EUA	OPEN	DTC144EUA	OPEN	DTC144EUA
Q0K3	DTA144TUA	OPEN	DTA144TUA	DTA144TUA	OPEN	DTA144TUA	OPEN	DTA144TUA	OPEN	DTA144TUA
Q0K4	DTC323TU	OPEN	DTC323TU	DTC323TU	OPEN	DTC323TU	OPEN	DTC323TU	OPEN	DTC323TU
Q0K5	DTC323TU	OPEN	DTC323TU	DTC323TU	OPEN	DTC323TU	OPEN	DTC323TU	OPEN	DTC323TU
Q201	DTA124EUA	OPEN	DTA124EUA	DTA124EUA	OPEN	DTA124EUA	OPEN	DTA124EUA	OPEN	DTA124EUA
R031	4.7k_-(1/10W)	OPEN	4.7k_-(1/10W)	4.7k_-(1/10W)	OPEN	4.7k_-(1/10W)	OPEN	4.7k_-(1/10W)	OPEN	4.7k_-(1/10W)
R032	0_(1/10W)	OPEN	0_(1/10W)	0_(1/10W)	OPEN	0_(1/10W)	OPEN	0_(1/10W)	OPEN	0_(1/10W)
R051	47k_-(1/10W)	OPEN	47k_-(1/10W)	47k_-(1/10W)	OPEN	47k_-(1/10W)	OPEN	47k_-(1/10W)	OPEN	47k_-(1/10W)
R052	47k_-(1/10W)	OPEN	47k_-(1/10W)	47k_-(1/10W)	OPEN	47k_-(1/10W)	OPEN	47k_-(1/10W)	OPEN	47k_-(1/10W)
R053	3.3k_-(1/10W)	OPEN	3.3k_-(1/10W)	3.3k_-(1/10W)	OPEN	3.3k_-(1/10W)	OPEN	3.3k_-(1/10W)	OPEN	3.3k_-(1/10W)
R054	560_-(1/10W)	OPEN	560_-(1/10W)	560_-(1/10W)	OPEN	560_-(1/10W)	OPEN	560_-(1/10W)	OPEN	560_-(1/10W)
R055	4.7k_-(1/10W)	OPEN	4.7k_-(1/10W)	4.7k_-(1/10W)	OPEN	4.7k_-(1/10W)	OPEN	4.7k_-(1/10W)	OPEN	4.7k_-(1/10W)
R056	10k_-(1/10W)	OPEN	10k_-(1/10W)	10k_-(1/10W)	OPEN	10k_-(1/10W)	OPEN	10k_-(1/10W)	OPEN	10k_-(1/10W)
R057	47k_-(1/10W)	OPEN	47k_-(1/10W)	47k_-(1/10W)	OPEN	47k_-(1/10W)	OPEN	47k_-(1/10W)	OPEN	47k_-(1/10W)
R058	220k_-(1/10W)	OPEN	220k_-(1/10W)	220k_-(1/10W)	OPEN	220k_-(1/10W)	OPEN	220k_-(1/10W)	OPEN	220k_-(1/10W)
R0K7	8.8k_-(1/10W)	OPEN	8.8k_-(1/10W)	8.8k_-(1/10W)	OPEN	8.8k_-(1/10W)	OPEN	8.8k_-(1/10W)	OPEN	8.8k_-(1/10W)
R0K8	33k_-(1/10W)	OPEN	33k_-(1/10W)	33k_-(1/10W)	OPEN	33k_-(1/10W)	OPEN	33k_-(1/10W)	OPEN	33k_-(1/10W)
R1G0	OPEN	100_-(1/14W)	OPEN	100_-(1/14W)	OPEN	100_-(1/14W)	OPEN	100_-(1/14W)	OPEN	100_-(1/14W)
R1G1	OPEN	4.7k_-(1/10W)	OPEN	OPEN	4.7k_-(1/10W)	OPEN	OPEN	4.7k_-(1/10W)	OPEN	OPEN
R1G2	OPEN	4.7k_-(1/10W)	OPEN	OPEN	4.7k_-(1/10W)	OPEN	OPEN	4.7k_-(1/10W)	OPEN	OPEN
R1G3	OPEN	8.2k_-(1/10W)	OPEN	OPEN	8.2k_-(1/10W)	OPEN	OPEN	8.2k_-(1/10W)	OPEN	OPEN
R1G4	OPEN	8.2k_-(1/10W)	OPEN	OPEN	8.2k_-(1/10W)	OPEN	OPEN	8.2k_-(1/10W)	OPEN	OPEN
R1G5	OPEN	47_-(1/10W)	OPEN	OPEN	47_-(1/10W)	OPEN	OPEN	47_-(1/10W)	OPEN	OPEN
R1G6	OPEN	47_-(1/10W)	OPEN	OPEN	47_-(1/10W)	OPEN	OPEN	47_-(1/10W)	OPEN	OPEN
R1G9	OPEN	100_-(1/14W)	OPEN	OPEN	100_-(1/14W)	OPEN	OPEN	100_-(1/14W)	OPEN	OPEN
R201	47k_-(1/10W)	OPEN	47k_-(1/10W)	47k_-(1/10W)	OPEN	47k_-(1/10W)	OPEN	47k_-(1/10W)	OPEN	47k_-(1/10W)
R235	10k_-(1/10W)	OPEN	10k_-(1/10W)	10k_-(1/10W)	OPEN	10k_-(1/10W)	OPEN	10k_-(1/10W)	OPEN	10k_-(1/10W)
R241	4.7k_-(1/10W)	OPEN	4.7k_-(1/10W)	4.7k_-(1/10W)	OPEN	4.7k_-(1/10W)	OPEN	4.7k_-(1/10W)	OPEN	4.7k_-(1/10W)
R2X0	100_-(1/10W)	OPEN	100_-(1/10W)	100_-(1/10W)	OPEN	100_-(1/10W)	OPEN	100_-(1/10W)	OPEN	100_-(1/10W)
R2X1	100_-(1/10W)	OPEN	100_-(1/10W)	100_-(1/10W)	OPEN	100_-(1/10W)	OPEN	100_-(1/10W)	OPEN	100_-(1/10W)
R2X2	100_-(1/10W)	OPEN	100_-(1/10W)	100_-(1/10W)	OPEN	100_-(1/10W)	OPEN	100_-(1/10W)	OPEN	100_-(1/10W)
R2X5	0_(1/10W)	OPEN	0_(1/10W)	0_(1/10W)	OPEN	0_(1/10W)	OPEN	0_(1/10W)	OPEN	0_(1/10W)
R2X8	0_(1/10W)	OPEN	0_(1/10W)	0_(1/10W)	OPEN	0_(1/10W)	OPEN	0_(1/10W)	OPEN	0_(1/10W)
R2X7	0_(1/10W)	OPEN	0_(1/10W)	0_(1/10W)	OPEN	0_(1/10W)	OPEN	0_(1/10W)	OPEN	0_(1/10W)
X01	4.332MHz_DSX151GA	OPEN	4.332MHz_DSX151GA	4.332MHz_DSX151GA	OPEN	4.332MHz_DSX151GA	OPEN	4.332MHz_DSX151GA	OPEN	4.332MHz_DSX151GA

SCHEMATIC DIAGRAM PCB-PANEL MODEL : NR-261UM-07LAN4,-07-5WS



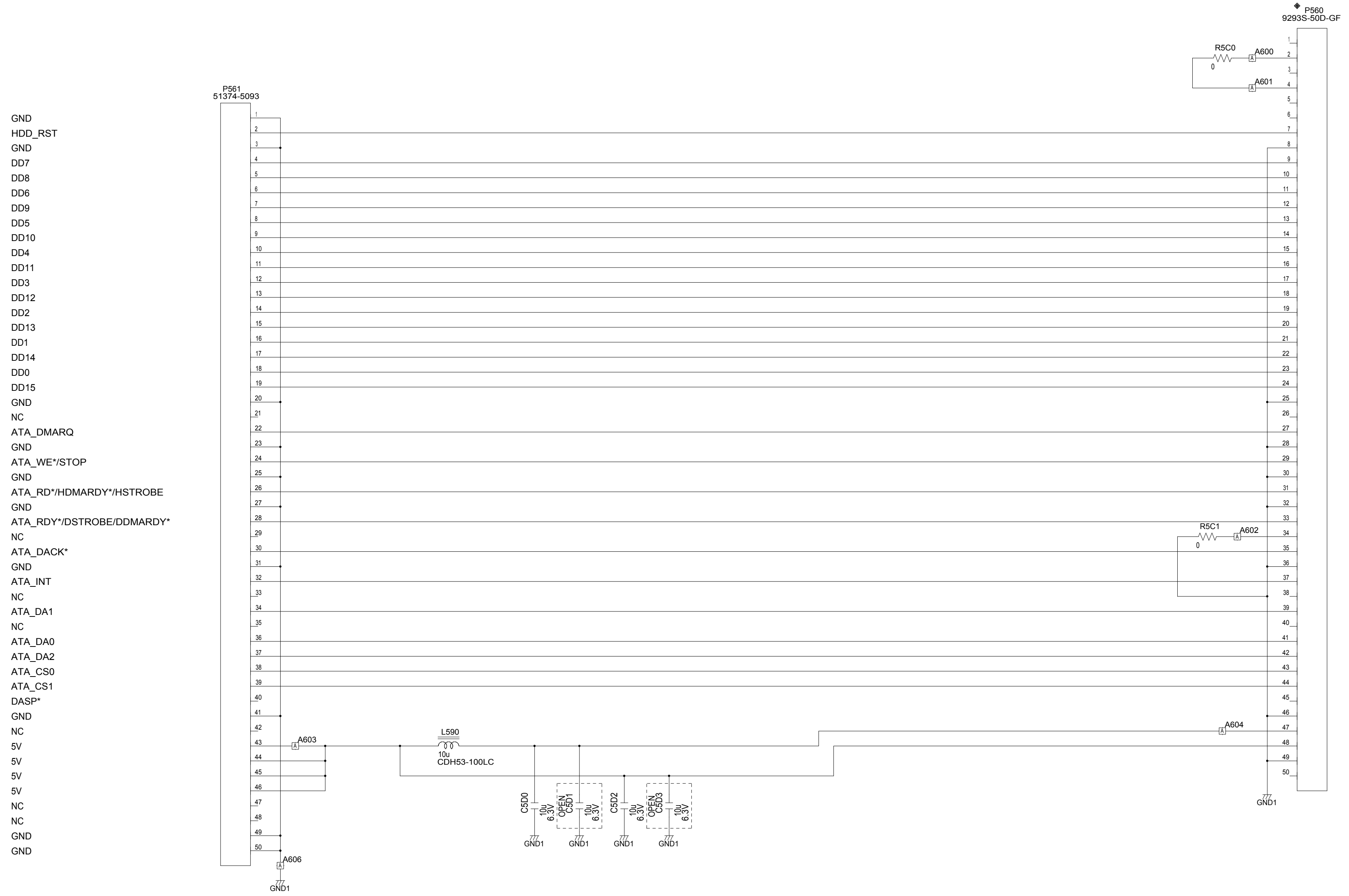
Do not remove those measurement points for the diversion of production equipment of 06DOM.



PCB-SENSOR

OPEN	UNLESS_OTHERWISE
CAPACITOR	B(except_Murata_B3),50V
RESISTOR	5%,1/16W

SCHEMATIC DIAGRAM PCB-HDD MODEL : NR-261UM-07LAN4,-07-5WS



- GND
- HDD_RST
- GND
- DD7
- DD8
- DD6
- DD9
- DD5
- DD10
- DD4
- DD11
- DD3
- DD12
- DD2
- DD13
- DD1
- DD14
- DD0
- DD15
- GND
- NC
- ATA_DMARQ
- GND
- ATA_WE*/STOP
- GND
- ATA_RD*/HDMARDY*/HSTROBE
- GND
- ATA_RDY*/DSTROBE/DDMARDY*
- NC
- ATA_DACK*
- GND
- ATA_INT
- NC
- ATA_DA1
- NC
- ATA_DA0
- ATA_DA2
- ATA_CS0
- ATA_CS1
- DASP*
- GND
- NC
- 5V
- 5V
- 5V
- 5V
- NC
- NC
- GND
- GND

OPEN	UNLESS_OTHERWISE
CAPACITOR	B(except_Murata_B3),50V
RESISTOR	5%,1/16W

VOLTAGE

<Internal power supply voltage>

Navigation Part

Item	Content	Measurement point	Condition	Voltage [V]		
				Min	Typ	Max
+12VB	+B power supply	+12VB	-	+B-1.0	-	+B
+12VA	ACC switched +B power supply	+12VA	-	+12VB -0.5	-	+12VB
+12VC	+B power supply for mecha	+12VC	ACC ON	+B-1.0	-	+B
			ACC OFF	+B-1.0	-	+B
FAN_VCC	FAN power supply voltage	PCB-CONN P02C 1pin	FAN ON	7.5	8.0	12.0
+9V	Navi audio power supply	+9V	-	8.0	9.0	9.5
+8V	TMC power supply	FM8V	-	7.5	8.0	8.5
+5V	TMC power supply	FM5V	-	4.7	5.0	5.3
+8VD	DVD mecha power supply, servo system	+8VD	DD-CNT active	7.7	8.0	8.3
+5VD	DVD mecha power supply	+5VD	DD-CNT active	4.8	5.0	5.2
+3.3VD	DVD mecha power supply	+3.3VD	DD-CNT active	3.2	3.3	3.4
+5V	Navi digital power supply	+5V	-	4.8	5.0	5.3
+5VA	Navi analog power supply	+5VA	-	4.7	5.0	5.3
+5VB	Navi backup power supply	+5VB	ACC ON	4.5	5.0	5.5
			ACC OFF	4.5	5.0	5.5
+5VC	Navi image power supply	+5VC	-	4.8	5.0	5.3
+3.3V	Navi digital power supply	+3.3V	-	3.0	3.3	3.6
+3.3VB	Navi, DVD mecha backup power supply	+3.3VB	ACC ON	3.3	3.4	3.5
			ACC OFF	3.3	3.4	3.5
+2.5V	Navi digital power supply	+2.5V	-	2.3	2.5	2.7
+2.5VB	Navi backup power supply	+2.5VB	ACC ON	2.4	2.6	2.8
			ACC OFF	2.4	2.6	2.8
+2.5VC	DDR-SDRAM backup power supply	+2.5VC	ACC ON	2.3	2.5	2.7
			ACC OFF	2.3	2.5	2.7
+1.2V	Navi digital power supply	+1.2V	-	1.15	1.2	1.3
RC8V	Rear camera power supply	PCB-ANALOG P705 6pin	Rear camera connected	5.8	6.5	7.0

Audio Part

Item	Content	Measurement point	Condition
BATT5V	Backup 5V	A271	-
BATT3.3V	Backup 3.3V	A272	-
ACC3.3V	ACC 3.3V power supply	I270	-
AUDIO9V	Audio output	A191	-
RADIO10V	Radio tuner power supply	A0D4	-
DSP9V	DSP power supply	A2P1	-
DSP_A3.3V	DSP power supply (analog)	A2Q1	-
DSP_D3.3V	DSP power supply (digital)	A2R1	-
ILL9V	Power supply for illumination	A232	No load (SW/SUB-PANEL are not connected.)
RADIO ANT +B	Radio antenna +B power supply	PCB-AUDIO P1G1 7pin	-

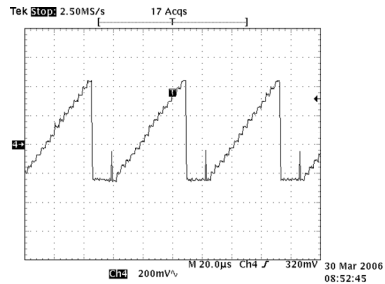
Monitor Part (Reference)

Item	Content	Measurement point	Condition
+3.3V	LCD, 2 screens IC, signal processing DC/DC input	A8K0	-
+2.5V	2 screens IC	A8L0	-
+18.5V	LCD	A8M0	-
-12V	LCD, signal processing	A8M1	-
+8V	Signal processing	A8M2	-
+5V	LCD	A8M3	-
INV-POW	Backlight inverter	A8H2	-

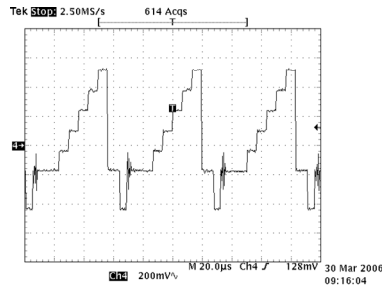
WAVEFORM

(Pin numbers are as measurement points.)

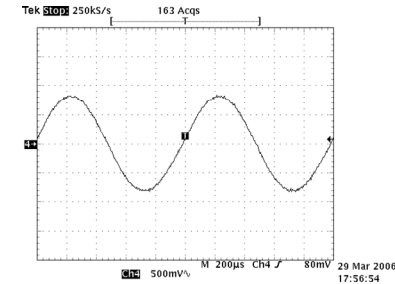
**Unit-Monitor (Measurement on the PCB-PANEL)
Image(RGB) R**



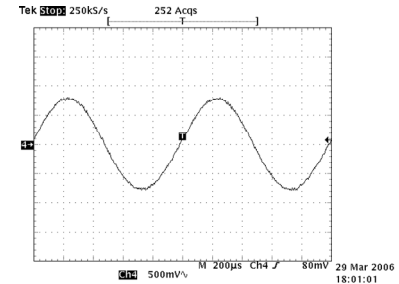
**Unit-Monitor (Measurement on the PCB-PANEL)
Video waveform Front seat (Gray scale 5 step)
JVC TEST DISC used**



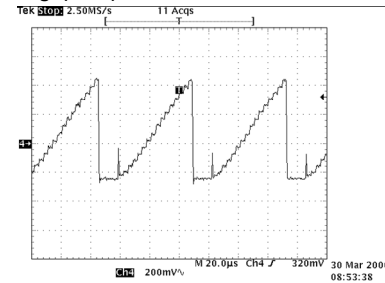
**0dB 1kHz Speaker 4Ω
FR+ (P2A1 15pin)**



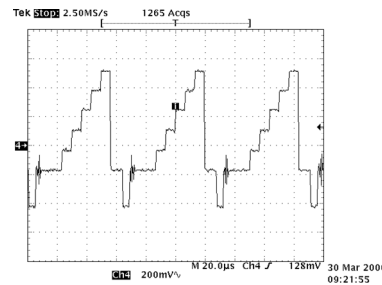
RR+ (P2A1 16pin)



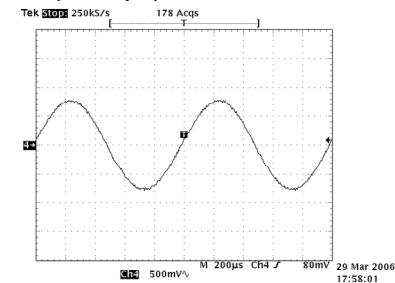
Image(RGB) G



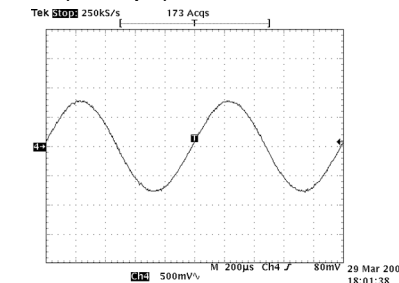
**Unit-Rear monitor (P707 2pin)
Video waveform Rear seat (Gray scale 5 step)
JVC TEST DISC used**



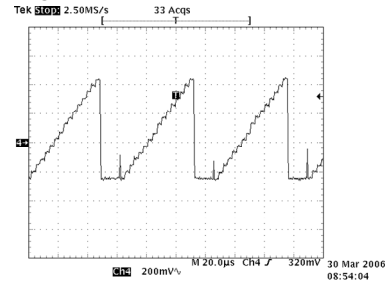
FR- (P2A1 7pin)



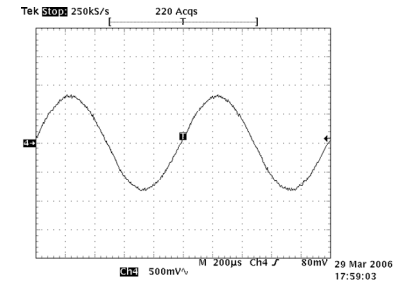
RR- (P2A1 8pin)



Image(RGB) B



FL+ (P2A1 12pin)



RL- (P2A1 11pin)

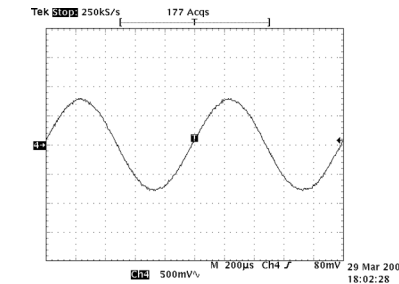
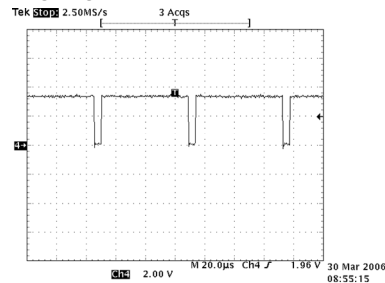
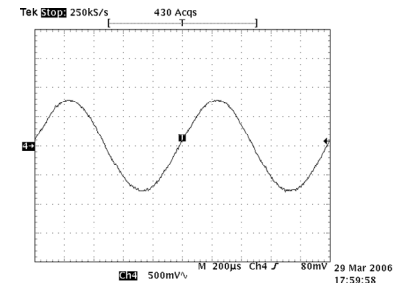


Image signal C-SYNC



FL- (P2A1 3pin)



RL+ (P2A1 2pin)

